



EZ PANEL™ Solutions

Your new standard

for control panels

WELCOME TO PANEL FAB

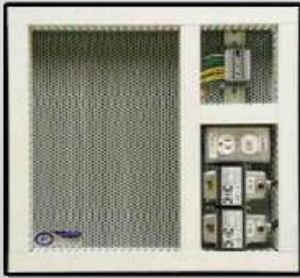
EZ Panel Series Product Catalog. We've updated our offering and continue to provide you with industry leading solutions for your control panels. We are proud to present the largest expansion of our product line since its' inception.

What is an EZ Panel? EZ Panels are custom, pre-fabricated subpanel assemblies that you can specify and order using one simple part number. Panels ship ready for controls installation and enclosure mounting.

Why buy from Panel Fab? Standardizing on our panel solution simplifies every control project to save you time and money. We are here to serve you in any capacity and with a smile. Need more reasons?

- **Large inventory** of panel components = quick turnaround
- **Huge selection** of sizes and options = compatibility with any control system
- **High quality control standards** = order accuracy and great looking panels
- **Easy, flexible ordering** = no panel order minimums or rush order fees
- **Personal Service** = quick answers on product info and order status
- **Available UL Listing** = panels built to meet the strictest standards
- **Stability** = in business since 2000 serving control manufacturers, OEM's, mechanical contractors, control contractors and integrators

Why outsource if you already build panels in-house? Many of our customers have taken a hard look at their operation to discover that this new standard offers significant savings and simplifies every project. Managing an in-house staff is often difficult. Demand fluctuations leave employees with not enough to do, or an inability to keep up. By partnering together, we can drastically reduce the time and money you spend engineering, specifying, ordering, receiving, and fabricating control panels. When your EZ Panel arrives, you can have your in-house shop mount and wire your components or send it right out to the job with a technician.



CATALOG

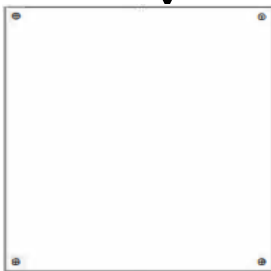


contents

Ordering Instructions	4	EZ 4230	76
EZ 2016	5	EZ 4236	87
EZ 2020	15	EZ 4836	98
EZ 2420	25	EZ Panel Receptacle & Switch Assemblies	109
EZ 2424	35	Panel Accessories	110
EZ 3024	45	Enclosures	113
EZ 3624	55	Terms and Conditions	115
EZ 3630	65		

Ordering is EZ! On the first page for each panel size, you will see a Model Selection Guide like the one shown below. To build your custom model number, simply consult the remaining pages of that panel section to specify options for each of the highlighted fields. Once all selections have been made, you are ready to place an order. Also shown below is a visual example of how your model number and panel is assembled.

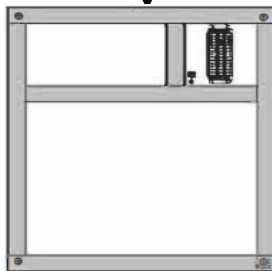
Fill in the blanks to build your custom model number by selecting one Option from each Table											
<ul style="list-style-type: none"> ○ Consult pages 3 thru 8 to select the Material, Layout, Power Control, and other Options that best suit your application. ○ Example model number ... SUB-S-2420-HG-X-X-DD-050-050 											
Table	Options	Model #	SUB	S	2420	HG	X	X	DD	050	050



Step 1

Select a subpanel that is Compatible with your enclosure and NEMA rating.

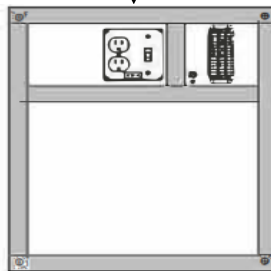
- 10 sizes available
- all NEMA ratings available



Step 2

Select a layout configuration that provides ample space to field mount and wire your components. Then choose a wire duct color.

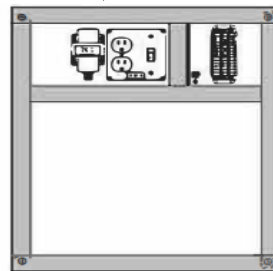
- 8 layouts available
- 2 wire duct colors available



Step 3

Select an optional power control device.

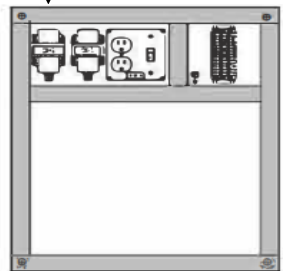
- 4 choices available



Step 4

Select an optional control power transformer or power supply.

- 23 choices available



Step 5

Select a second optional control power transformer or power supply.

- 23 choices available

Example Model Number... *SUB-S-2420-HG-X-X-DD-050-050*

Note: The letter "X" shown in the model number indicates no options have been chosen for this field.

Placing your order... Now with your EZ Panel model number in hand, simply consult your local distributor or contact us directly for pricing and to place your order.

Tracking your order... Orders are always confirmed upon receipt. Depending on the volume of outstanding orders and the size of your project, production time will generally range from 3 to 10 days. Upon completion, we will also be glad to follow up with an email confirmation including your shipment tracking number, and estimated delivery date.

Please contact us at any time for assistance with model selection, pricing, or placing your order. Our customer service reps are ready to assist you.

Phone Orders [470-412-0173](tel:470-412-0173)

Email Orders sales@panelfabricator.com



Fill in the blanks to build your custom model number by selecting one Option from each Table

- Consult pages 3 thru 10 to select the Material, Layout, Power Control, and other Options that best suit your application.
- Example model number ... SUB-S-2420-HG-X-X-00-050-050

Table	Options	Model #	SUB	-	2016	--	-	-	--	- - -	- - -		
Type	SUB	Subpanel Assembly											
Material See page 3 Table 1	P S I C	Hoffman, A20N16MPP, Perf, NEMA 1 Hoffman, A20N16MP, solid, NEMA 1 Hoffman, A20P16, industrial, solid Hoffman, CP2016, Concept, solid								Cont'd Next Page		Cont'd Next Page	
Size	2016	See Page 3, Table 2 for interior dimensions											
Layout See page 3 Table 2	HG HW VG VW DG DW EG EW	Horizontal layout "H" w/ grey Panduit F Series wire duct Horizontal layout "H" w/ white Panduit F Series wire duct Vertical layout "V" w/ grey Panduit F Series wire duct Vertical layout "V" w/ white Panduit F Series wire duct DIN rail layout "D" w/ grey Panduit F Series wire duct DIN rail layout "D" w/ white Panduit F Series wire duct Economy layout "E" w/ grey Panduit F Series wire duct Economy layout "E" w/ white Panduit F Series wire duct											
Approvals	X U	No approval required Meets 508A Standard for UL Listed Open Control Panel											
Options See page 4	X A B C D E F G H I J K L M N O	No option selected 3 amp DIN rail mounted circuit breaker substituted for terminal "L" 5 amp DIN rail mounted circuit breaker substituted for terminal "L" 10 amp DIN rail mounted circuit breaker substituted for terminal "L" 3 amp fuse holder terminal substituted for terminal "L" w/ 250V Slo-Blo fuse 5 amp fuse holder terminal substituted for terminal "L" w/ 250V Slo-Blo fuse 10 amp fuse holder terminal substituted for terminal "L" w/ 32V Slo-Blo fuse Switching terminal block substituted for each 24VAC hot terminal block Finger-safe terminal block cover, transparent (protects entire terminal strip) 10 extra terminals mounted on 12 inch DIN rail (shipped loose w/ mntg screws) 20 extra terminals mounted on 12 inch DIN rail (shipped loose w/ mntg screws) 40 extra terminals mounted on 12 inch DIN rail (shipped loose w/ mntg screws) Solid wall wire duct to enclose 120VAC circuits – see Supplementary Spec "L" 2x4 box w/ 2 gang Cat5E cover plate and jacks – ships loose w/ screws 2x4 box w/ 4 gang Cat5E cover plate and jacks – ships loose w/ screws 5ft Cat5E cable, male/male – ships loose											
Power Control See pages 5 & 6	XX DS DD FD DL	No factory mounted disconnect or receptacle required Used for SW-1, 15 amp disconnect & single receptacle w/ 2x4 box Used for SW-1, 15 amp disconnect & duplex receptacle w/ 4x4 box Used for SW-1, 10 amp Functional Devices PSPT2RB10 w/ 4x4 box Used for SW-1, 15 amp disconnect & duplex receptacle, indicator light, 10 amp fuse w/ 4x4 box											
Control Power Transformers & Pwr Supplies See page 7	000 040 050 075 100 D40 D50 D75 D10	No factory mounted transformer or power supply required Labeled TX-1, TR40VA001, 40VA, 120x24VAC Labeled TX-1, TR50VA001, 50VA, 120x24VAC, w/ circuit breaker Labeled TX-1, TR75VA001, 75VA, 120x24VAC, w/ circuit breaker Labeled TX-1, TR100VA001, 100VA, 120x24VAC, w/ circuit breaker Labeled TX-1, TR40VA001, 40VA, 120x24VAC, w/ circuit breaker, DUAL HUB Labeled TX-1, TR50VA001, 50VA, 120x24VAC, w/ circuit breaker, DUAL HUB Labeled TX-1, TR75VA001, 75VA, 120x24VAC, w/ circuit breaker, DUAL HUB Labeled TX-1, TR100VA001, 100VA, 120x24VAC, w/ circuit breaker, DUAL HUB								Cont'd Next Page		Cont'd Next Page	

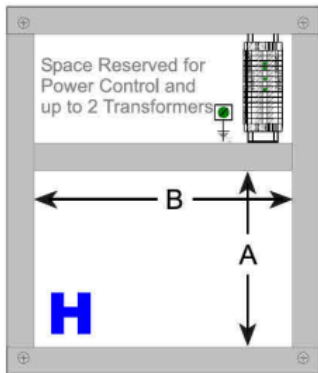


Fill in the blanks to build your custom model number by selecting one Option from each Table

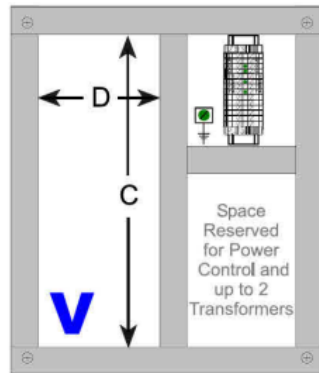
- Consult pages 3 thru 10 to select the Material, Layout, Power Control, and other Options that best suit your application.
- Example model number ... SUB-S-2420-HG-X-X-00-050-050

Table	Options	Model #	SUB	-	2016	-	-	-	-	-	-
Control Power Transformers & Pwr Supplies See page 7	F04* F44* F47** F41* F07** F77** F71** F01* F11* I23 I26 I22 I21	TX-1, PSH40AB10, power supply, 120x24VAC, 40VA, w/ breaker & outlet TX-1/2, PSH40A40AB10, dual power supply, 120x24VAC, (2) 40VA, w/ breaker & outlet TX-1/2, PSH40A75AB10, dual power supply, 120x24VAC, 40VA/75VA, w/ breaker & outlet TX-1/2, PSH40A100AB10, dual power supply, 120x24VAC, 40VA/100VA, w/ breaker & outlet TX-1, PSH75AB10, power supply, 120x24VAC, 75VA, w/ breaker & outlet TX-1/2, PSH75A75AB10, dual power supply, 120x24VAC, (2) 75VA, w/ breaker & outlet TX-1/2, PSH75A100AB10, dual power supply, 120x24VAC, 75VA/100VA, w/ breaker & outlet TX-1, PSH100AB10, power supply, 120x24VAC, 100VA, w/ breaker & outlet TX-1/2, PSH100A100AB10, dual power supply, 120x24VAC, (2) 100VA, w/ breaker & outlet Labeled DC-1, HDR-30-24, 24 vdc power supply, 120VAC input, 30 watt, DIN mounted Labeled DC-1, HDR-60-24, 24 vdc power supply, 120VAC input, 60 watt, DIN mounted Labeled DC-1, HDR-100-24, 24 vdc power supply, 120VAC input, 100 watt, DIN mounted Labeled DC-1, NDR-120-24, 24 vdc power supply, 120VAC input, 120 watt, DIN mounted									
Field or Auxiliary Power Transformers & Pwr Supplies See page 7	000 040*** 050*** 075*** 100*** D40*** D50*** D75*** D10*** I23*** I26*** I22*** I21***	No factory mounted transformer or power supply required Labeled TX-2, TR40VA001, 40VA, 120x24VAC Labeled TX-2, TR50VA001, 50VA, 120x24VAC, w/ circuit breaker Labeled TX-2, TR75VA001, 75VA, 120x24VAC, w/ circuit breaker Labeled TX-2, TR100VA001, 100VA, 120x24VAC, w/ circuit breaker Labeled TX-2, TR40VA001, 40VA, 120x24VAC, w/ circuit breaker, DUAL HUB Labeled TX-2, TR50VA001, 50VA, 120x24VAC, w/ circuit breaker, DUAL HUB Labeled TX-2, TR75VA001, 75VA, 120x24VAC, w/ circuit breaker, DUAL HUB Labeled TX-2, TR100VA001, 100VA, 120x24VAC, w/ circuit breaker, DUAL HUB Labeled DC-2, HDR-30-24, 24 vdc power supply, 120VAC input, 30 watt, DIN mounted Labeled DC-2, HDR-60-24, 24 vdc power supply, 120VAC input, 60 watt, DIN mounted Labeled DC-2, HDR-100-24, 24 vdc power supply, 120VAC input, 100 watt, DIN mounted Labeled DC-2, NDR-120-24, 24 vdc power supply, 120VAC input, 120 watt, DIN mounted									

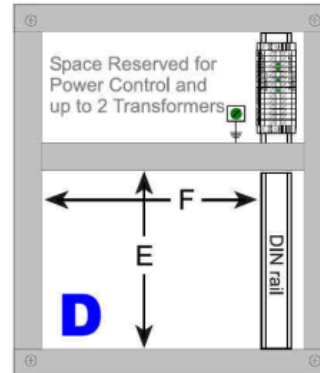
- Notes**
- * Option is not available if separate Power Control was selected
 - ** Option is not available if separate Power Control was selected OR UL Listing is required
 - *** Due to space limitations, this option is not available with Power Control DD, FD, or DL



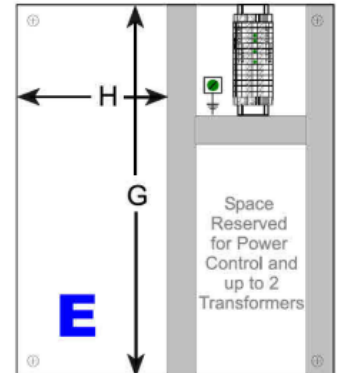
20 x 16 Horizontal Layout
w/ 1.25" x 3" Wire Duct



20 x 16 Vertical Layout
w/ 1.25" x 3" Wire Duct



20 x 16 DIN Rail Layout
w/ 1.25" x 3" Wire Duct



20 x 16 Economy Layout
w/ 1.25" x 3" Wire Duct

INSTRUCTIONS: Use Table 1 to select a subpanel that is compatible with your enclosure and NEMA rating. Insert the blue letter for Material Selection in the first highlighted field. Use the interior mounting dimensions in Table 2 to determine which Layout Configuration provides ample space to field mount and wire your components. Choose the blue letter for the appropriate layout drawing and insert this as the first character in the second highlighted field. The second character in this field will indicate wire duct color... "G" for grey or "W" for white.

Table	Options	Model #	SUB		2016						
-------	---------	---------	-----	--	------	--	--	--	--	--	--

Material Selection from Table 1
Layout Config from Table 2 and Wire Duct Color

Table 1

Material Selection	Brand	Material	Color	Mfr Part #	Fits Enclosure	NEMA Rating
P	Hoffman	Perforated	grey	A20N16MPP	A20N16xxx	1
S	Hoffman	Solid	white	A20N16MP	A20N16xxx	1
I	Hoffman	Solid	white	A20P16	Consult Hoffman	3R, 4, 12/13
C	Hoffman	solid	white	CP2016	CSD2016xx	4, 12

Table 2

Material Selection	Interior Mounting Dimensions in Inches							
	H – Horizontal Layout		V – Vertical Layout		D – DIN Rail Layout		E – Economy Layout	
	A	B	C	D	E	F	G	H
P	8 -1/4 "	12"	14 -1/2"	5 -3/4 "	8 -1/4 "	9 -1/4 "	17"	7"
S	8 -1/4 "	12"	14 -1/2"	5 -3/4 "	8 -1/4 "	9 -1/4 "	17"	7"
I	8 -1/4 "	10 -1/2"	14 -1/2"	4 -1/4 "	8 -1/4 "	7 -3/4 "	17"	5 -1/2"
C	9 -3/8 "	11 -5/8"	15 -5/8"	5 -3/8 "	9 -3/8 "	9"	18 -3/16 "	6 -5/8"



Table	Options	Model #	SUB	_	2016	_	_	_	_	_	_
-------	---------	---------	-----	---	------	---	---	---	---	---	---

Select (1) Option and insert the letter to fill in the highlighted field of the EZ Panel model number

MODEL SELECTION NOTES

- Note 1:** Insert the letter "X" in this field of the EZ Panel model number if no Option is required.
Note 2: All Options are available individually. If more than (1) Option is required, simply order the additional Options using the prefix "EZ-".

Example: If your panel requires a 10 amp circuit breaker... capability to isolate the 24VAC circuits... and (20) extra terminal blocks... you would order (3) items as follows:

- SUB - P - 2016 - HG - X - C - DS -100 - 100
- EZ - G
- EZ - J

Note 3: Photo Shown as typical for panels having (2) transformers

3 AMP Breaker

3 amp DIN rail mounted circuit breaker substituted for terminal "L"



*See Note 3

5 AMP Breaker

5 amp DIN rail mounted circuit breaker substituted for terminal "L"



*See Note 3

10 AMP Breaker

10 amp DIN rail mounted circuit breaker substituted for terminal "L"



*See Note 3

3 AMP Fuse Holder

3 amp fuse holder terminal with fast-blo fuse substituted for terminal "L"



*See Note 3

5 AMP Fuse Holder

5 amp fuse holder terminal with fast-blo fuse substituted for terminal "L"



*See Note 3

10 AMP Fuse Holder

10 amp fuse holder terminal with fast-blo fuse substituted for terminal "L"



*See Note 3

Isolate 24VAC Circuit

Switching terminal block substituted for each 24VAC hot terminal block



*See Note 3

Terminal Cover

Transparent finger-safe terminal block cover. Threaded nylon nuts must be removed to access terminal block.



Continued on next page





10 Extra Terminals



10 numbered terminal blocks mounted on a 12" section of DIN rail shipped loose with mtg screws (required field installation)



*See Note 3

20 Extra Terminals



20 numbered terminal blocks mounted on a 12" section of DIN rail shipped loose with mtg screws (required field installation)



*See Note 3

40 Extra Terminals



40 numbered terminal blocks mounted on a 12" section of DIN rail shipped loose with mtg screws (required field installation)



*See Note 3

Isolated 120VAC



Solid wall wire duct to isolate line voltage terminal blocks and all 120VAC circuits. See Supplementary Spec "L" on page...



*See Note 3

2 Gang Cat5E



Two gang plastic cover plate with (2) Cat5E jacks mounted on a 2x4 handi-box. Items ship loose w/ mtg screws.



*See Note 3

4 Gang Cat5E



Four gang plastic cover plate with (4) Cat5E jacks mounted on a 2x4 handi-box. Items ship loose w/ mtg screws.



*See Note 3

Cat5E Cable



5ft Cat5E, male/male cable shipped loose.



*See Note 3

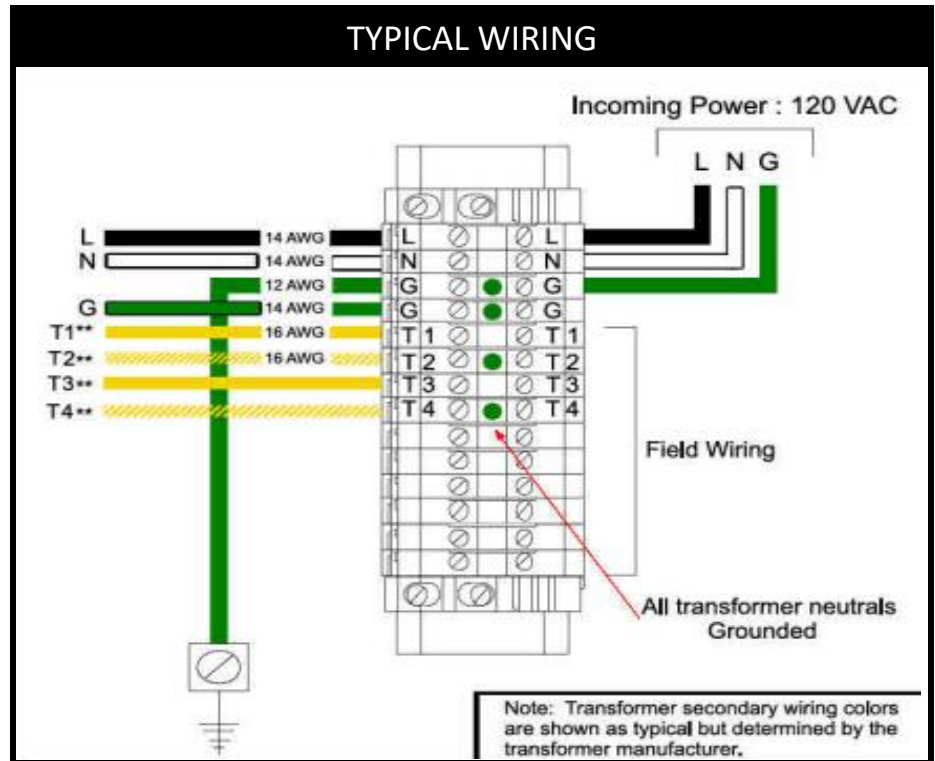


Table	Options	Model #	SUB	_	2016	_	_	_	_	_
-------	---------	---------	-----	---	------	---	---	---	---	---

Select (1) Option and insert the letters to fill in the highlighted field of the EZ Panel model number

4 OPTIONS AVAILABLE

	DS
	DD
	FD
	DL



TERMINAL ASSEMBLY

Shown for (2) transformers

Bill of Materials		
COMPONENT	MANUFACTURER	PART NO.
Terminal Block	Entrelec	11511607
End Plate	Entrelec	11836816
End Stop	Entrelec	20635116
Marking Cards	Entrelec	23300001
Jumper Bar	Entrelec	17478420
Jumper Post	Entrelec	16860416
Ground Lug	IlSCO	CP-4



MODEL SELECTION NOTES

* Power control (SW-1) is optional

If no Power Control is selected, insert the letters **XX** in the highlighted field of the EZ Panel Model Number.

If no Power Control is selected, but factory mounted transformers are still required; transformers will be wired directly to the L and N terminals and will be continuously HOT when the panel is powered.

Inserting XX in this field is mandatory if Functional Devices PSH Series Combination Power Supplies are being used in lieu of standard foot mounted transformers. See below for related wiring schematics.

* * Transformers (TX-#) are optional

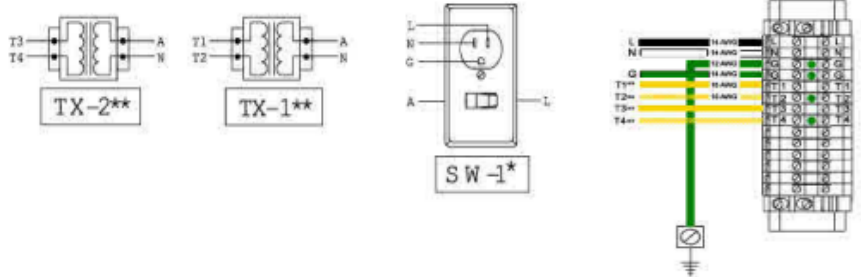
Every panel includes (14) total terminal blocks regardless of the transformer quantity chosen. If the maximum number of transformers is not selected, the unused terminals will include blank markers and will be available for other field terminations is required.

Power Control Option

DS

15 amps

2 x 4 steel box w/ cover



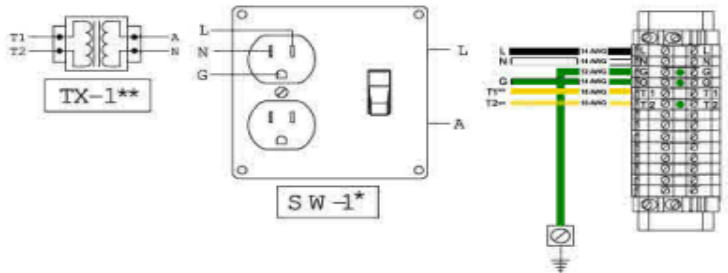
Power Control Option

DD

15 amps

4 x 4 steel box w/ cover

Special Note:
Due to space limitations, only (1) transformer is available with this Power Control option.



Power Control Option

FD

Functional Devices p/n:

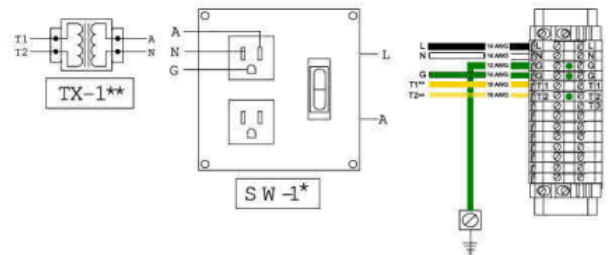
PSPT2RB10

10 amps

4 x 4 plastic box w/ cover

Special Note:
Due to space limitations, only (1) transformer is available with this Power Control option.

Internal jumper allows receptacle to be continuously controlled by the switch



See next page for more Power Control Options

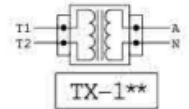


Power Control Option

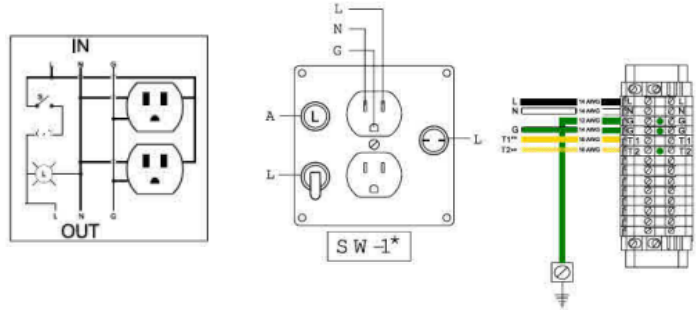
DL

- 15 amp rated components
- 4 x 4 steel box w/ cover
- * Includes red indicator light
- * Includes fuse holder w/ 10 amp fuse

Special Note:
Due to space limitations, only (1) transformer is available with this Power Control option.



Supplemental internal wiring diagram for Power Control Option DL only



Power Control Option

XX

Valid option is no factory installed Power Control device is required for the panel. All transformers are HOT when panel is powered.

Also valid if Functional Devices PSH Series Combination Power Supplies are being used in lieu of standard foot mounted transformers.

Internal jumper allows receptacle to be continuously controlled by the switch.

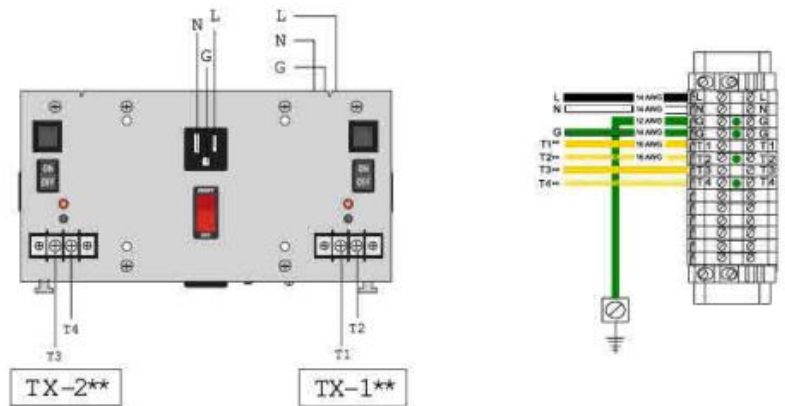
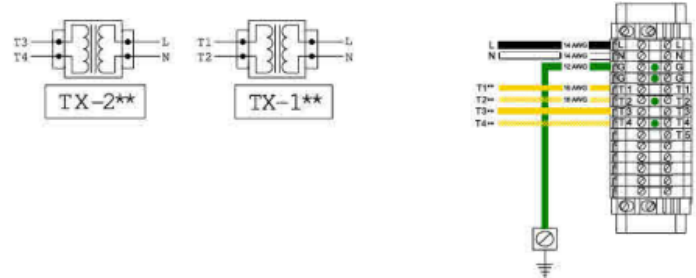




Table	Options	Model #	SUB	_	2016	_	_	_	_	_	_
-------	---------	---------	-----	---	------	---	---	---	---	---	---

Select Options for up to (2) total transformers and insert the letters to fill in the highlighted fields of the EZ Panel model number

MODEL SELECTION NOTES

* Power control (SW-1) from pages 7 & 8 were optional.

If no Power Control is selected, but foot mounted transformers or power supplies are still required; devices will be wired directly to the L and N terminals and will be continuously HOT when the panel is powered.

Due to space limitations, use of Functional Devices PSH Series Combination Power Supplies voids the option to have separate Power Controls from pages 7 & 8. If PSH Series devices are required, you should have the letters "XX" inserted for Power Control. These devices include both an integral disconnect/breaker and low voltage transformers. Together, they take the place of separate power control methods and standard foot mounted transformers. Refer to previous page for wiring schematics.

* * Transformers (TX-#) are optional

Every panel includes (14) total terminal blocks regardless of the transformer quantity chosen. If the maximum number of transformers is not selected, the unused terminals will include blank markers and will be available for other field terminations is required.

Functional Devices Transformers

EZ OPTION	PART NO.	INPUT	OUTPUT	VA	HUBS	FEATURES
040	TR40VA001	120 VAC	24 VAC	40	1	Class 2, UL Listed w/ circuit breaker
050	TR50VA005	120 VAC	24 VAC	50	1	Class 2, UL Listed w/ circuit breaker
075	TR75VA001	120 VAC	24 VAC	75	1	Class 2, UL Listed w/ circuit breaker
100	TR100VA001	120 VAC	24 VAC	100	1	Class 2, UL Listed w/ circuit breaker
D40	TR40VA002	120 VAC	24 VAC	40	2	Class 2, UL Listed w/ circuit breaker
D50	TR50VA009	120/208/240 VAC	24 VAC	50	2	Class 2, UL Listed w/ circuit breaker
D75	TR75VA002	120 VAC	24 VAC	75	2	Class 2, UL Listed w/ circuit breaker
D10	TR100VA002	120 VAC	24 VAC	100	2	Class 2, UL Listed w/ circuit breaker



Functional Devices Combination Power Supplies

EZ OPTION	PART NO.	INPUT	OUTPUT	VA	FEATURES	NOTES
F04	PSH40AB10	120 VAC	24 VAC	40	Class 2, w/ circuit breaker & receptacle	1, 3
F07	PSH75AB10	120 VAC	24 VAC	75	Class 2, w/ circuit breaker & receptacle	1, 2, 3
F01	PSH100AB10	120 VAC	24 VAC	100	Class 2, w/ circuit breaker & receptacle	1, 3
F44	PSH40A40AB10	120 VAC	(2) 24 VAC	40/40	Class 2, w/ circuit breaker & receptacle	1, 3
F47	PSH40A75AB10	120 VAC	(2) 24 VAC	40/75	Class 2, w/ circuit breaker & receptacle	1, 2, 3
F41	PSH40A100AB10	120 VAC	(2) 24 VAC	40/100	Class 2, w/ circuit breaker & receptacle	1, 3
F77	PSH75A75AB10	120 VAC	(2) 24 VAC	75/75	Class 2, w/ circuit breaker & receptacle	1, 2, 3
F71	PSH75A100AB10	120 VAC	(2) 24 VAC	75/100	Class 2, w/ circuit breaker & receptacle	1, 2, 3
F11	PSH100A100AB10	120 VAC	(2) 24 VAC	100/100	Class 2, w/ circuit breaker & receptacle	1, 3



NOTE 1: Not available with separate Power Control

NOTE 2: Not available if "U" was selected for UL Listing in the Approvals field of the EZ Panel model number

NOTE 3: Availability varies by panel size. Please refer to pages 1 & 2 of the Model Selection Guide to confirm compatibility

MeanWell HDR/NDR Power Supplies

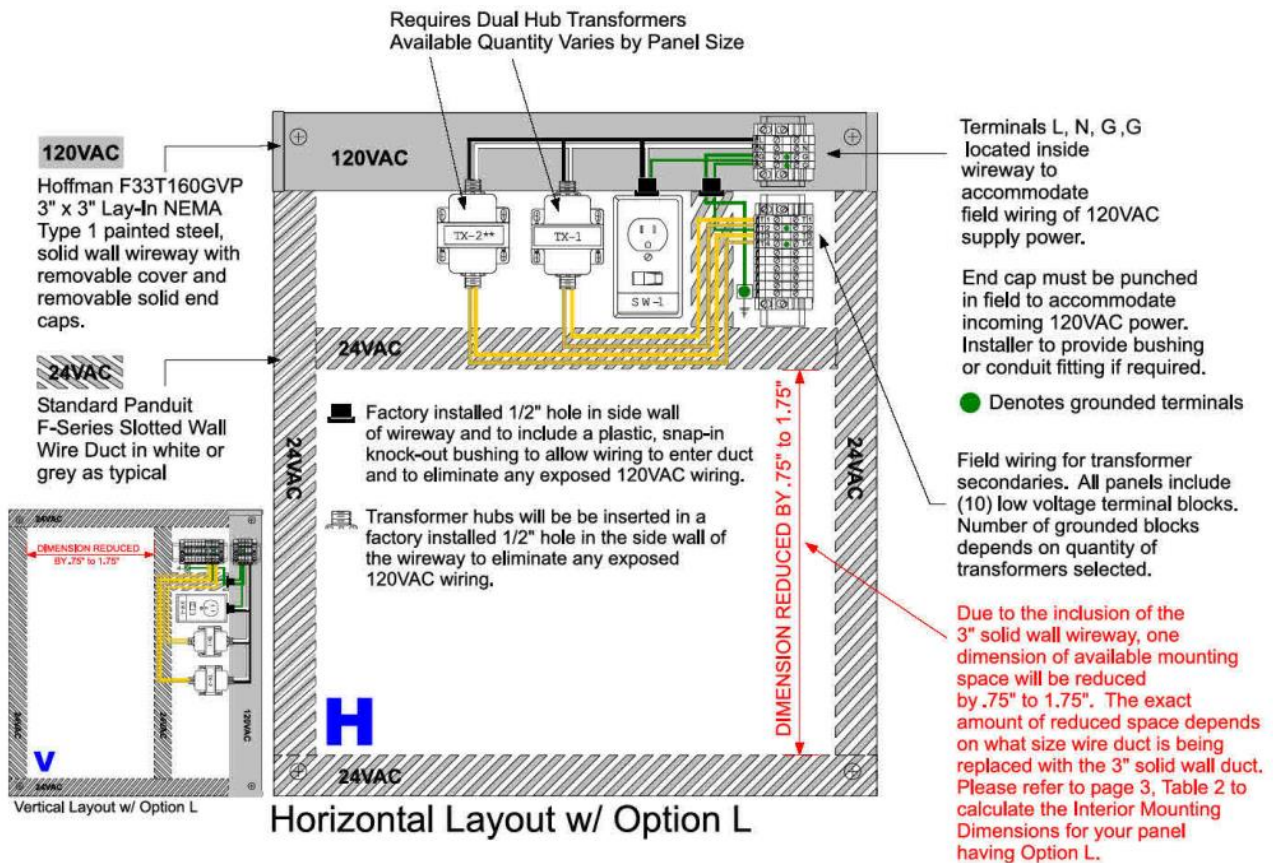
EZ OPTION	PART NO.	INPUT	OUTPUT	CAPACITY	FEATURES
I23	HDR-30-24	85-264 VAC	24 vdc	30W	Class 2, adjustable output, DIN mounted
I26	HDR-60-24	85-264 VAC	24 vdc	60W	Class 2, adjustable output, DIN mounted
I22	HDR-100-24	85-264 VAC	24 vdc	100W	Class 2, adjustable output, DIN mounted
I21	NDR-120-24	90-264 VAC	24 vdc	120W	Adjustable output, DIN mounted





This is a supplementary specification guide and should be used in conjunction with the standard EZ Panel Model Selection Guides for each panel size offered in our product line. This document only applies to EZ Panels with "L" selected in the Options table. This design satisfies separation of circuits as well as strict panel standards which prohibit exposed 120VAC or line voltage wiring. Please note that choosing Option "L" dictates some panel choices and limits others. Specifying panels with this option reduces the standard available interior, module mounting space for all sizes and all applicable layouts. Please follow model selection instructions carefully.

Only Horizontal and Vertical layouts are shown below. However, Option "L" is available with every size and layout in the EZ Panel product line. Feature details shown on the horizontal layout are typical except that reduced interior mounting dimensions will vary depending on what size wire duct is replaced by the solid wall duct.





Custom prefabricated subpanel assemblies

Fill in the blanks to build your custom model number by selecting one Option from each Table

- Consult pages 3 thru 10 to select the Material, Layout, Power Control, and other Options that best suit your application.
- Example model number ... SUB-S-2420-HG-X-X-00-050-050

Table	Options	Model #	SUB	-	2020	--	-	-	--	--	--	
Type	SUB	Subpanel Assembly										
Material See page 3 Table 1	P S I C	Hoffman, A20N20MPP, Perf, NEMA 1 Hoffman, A20N20MP, solid, NEMA 1 Hoffman, A20P20, industrial, solid Hoffman, CP2020, Concept, solid									Cont'd Next Page	Cont'd Next Page
Size	2020	See Page 3, Table 2 for interior dimensions										
Layout See page 3 Table 2	HG HW VG VW DG DW EG EW	Horizontal layout "H" w/ grey Panduit F Series wire duct Horizontal layout "H" w/ white Panduit F Series wire duct Vertical layout "V" w/ grey Panduit F Series wire duct Vertical layout "V" w/ white Panduit F Series wire duct DIN rail layout "D" w/ grey Panduit F Series wire duct DIN rail layout "D" w/ white Panduit F Series wire duct Economy layout "E" w/ grey Panduit F Series wire duct Economy layout "E" w/ white Panduit F Series wire duct										
Approvals	X U	No approval required Meets 508A Standard for UL Listed Open Control Panel										
Options See page 4	X A B C D E F G H I J K L M N O	No option selected 3 amp DIN rail mounted circuit breaker substituted for terminal "L" 5 amp DIN rail mounted circuit breaker substituted for terminal "L" 10 amp DIN rail mounted circuit breaker substituted for terminal "L" 3 amp fuse holder terminal substituted for terminal "L" w/ 250V Slo-Blo fuse 5 amp fuse holder terminal substituted for terminal "L" w/ 250V Slo-Blo fuse 10 amp fuse holder terminal substituted for terminal "L" w/ 32V Slo-Blo fuse Switching terminal block substituted for each 24VAC hot terminal block Finger-safe terminal block cover, transparent (protects entire terminal strip) 10 extra terminals mounted on 12 inch DIN rail (shipped loose w/ mntg screws) 20 extra terminals mounted on 12 inch DIN rail (shipped loose w/ mntg screws) 40 extra terminals mounted on 12 inch DIN rail (shipped loose w/ mntg screws) Solid wall wire duct to enclose 120VAC circuits – see Supplementary Spec "L" 2x4 box w/ 2 gang Cat5E cover plate and jacks – ships loose w/ screws 2x4 box w/ 4 gang Cat5E cover plate and jacks – ships loose w/ screws 5ft Cat5E cable, male/male – ships loose										
Power Control See pages 5 & 6	XX DS DD FD DL	No factory mounted disconnect or receptacle required Used for SW-1, 15 amp disconnect & single receptacle w/ 2x4 box Used for SW-1, 15 amp disconnect & duplex receptacle w/ 4x4 box Used for SW-1, 10 amp Functional Devices PSPT2RB10 w/ 4x4 box Used for SW-1, 15 amp disconnect & duplex receptacle, indicator light, 10 amp fuse w/ 4x4 box										
Control Power Transformers & Pwr Supplies See page 7	000 040 050 075 100 D40 D50 D75 D10	No factory mounted transformer or power supply required Labeled TX-1, TR40VA001, 40VA, 120x24VAC Labeled TX-1, TR50VA001, 50VA, 120x24VAC, w/ circuit breaker Labeled TX-1, TR75VA001, 75VA, 120x24VAC, w/ circuit breaker Labeled TX-1, TR100VA001, 100VA, 120x24VAC, w/ circuit breaker Labeled TX-1, TR40VA001, 40VA, 120x24VAC, w/ circuit breaker, DUAL HUB Labeled TX-1, TR50VA001, 50VA, 120x24VAC, w/ circuit breaker, DUAL HUB Labeled TX-1, TR75VA001, 75VA, 120x24VAC, w/ circuit breaker, DUAL HUB Labeled TX-1, TR100VA001, 100VA, 120x24VAC, w/ circuit breaker, DUAL HUB									Cont'd Next Page	Cont'd Next Page

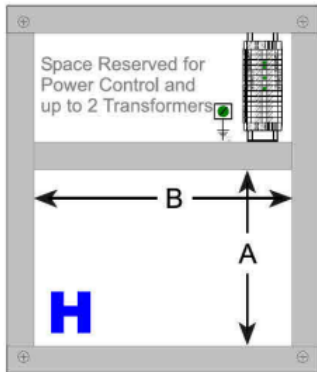


Fill in the blanks to build your custom model number by selecting one Option from each Table

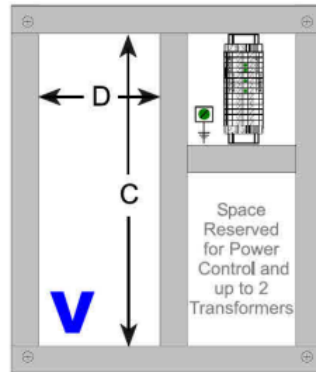
- Consult pages 3 thru 10 to select the Material, Layout, Power Control, and other Options that best suit your application.
- Example model number ... SUB-S-2420-HG-X-X-00-050-050

Table	Options	Model #	SUB	-	2020	-	-	-	-	-	-
Control Power Transformers & Pwr Supplies See page 7	F04* F44* F47** F41* F07** F77** F71** F01* F11* I23 I26 I22 I21	TX-1, PSH40AB10, power supply, 120x24VAC, 40VA, w/ breaker & outlet TX-1/2, PSH40A40AB10, dual power supply, 120x24VAC, (2) 40VA, w/ breaker & outlet TX-1/2, PSH40A75AB10, dual power supply, 120x24VAC, 40VA/75VA, w/ breaker & outlet TX-1/2, PSH40A100AB10, dual power supply, 120x24VAC, 40VA/100VA, w/ breaker & outlet TX-1, PSH75AB10, power supply, 120x24VAC, 75VA, w/ breaker & outlet TX-1/2, PSH75A75AB10, dual power supply, 120x24VAC, (2) 75VA, w/ breaker & outlet TX-1/2, PSH75A100AB10, dual power supply, 120x24VAC, 75VA/100VA, w/ breaker & outlet TX-1, PSH100AB10, power supply, 120x24VAC, 100VA, w/ breaker & outlet TX-1/2, PSH100A100AB10, dual power supply, 120x24VAC, (2) 100VA, w/ breaker & outlet Labeled DC-1, HDR-30-24, 24 vdc power supply, 120VAC input, 30 watt, DIN mounted Labeled DC-1, HDR-60-24, 24 vdc power supply, 120VAC input, 60 watt, DIN mounted Labeled DC-1, HDR-100-24, 24 vdc power supply, 120VAC input, 100 watt, DIN mounted Labeled DC-1, NDR-120-24, 24 vdc power supply, 120VAC input, 120 watt, DIN mounted									
Field or Auxiliary Power Transformers & Pwr Supplies See page 7	000 040 050 075 100 D40 D50 D75 D10 I23 I26 I22 I21	No factory mounted transformer or power supply required Labeled TX-2, TR40VA001, 40VA, 120x24VAC Labeled TX-2, TR50VA001, 50VA, 120x24VAC, w/ circuit breaker Labeled TX-2, TR75VA001, 75VA, 120x24VAC, w/ circuit breaker Labeled TX-2, TR100VA001, 100VA, 120x24VAC, w/ circuit breaker Labeled TX-2, TR40VA001, 40VA, 120x24VAC, w/ circuit breaker, DUAL HUB Labeled TX-2, TR50VA001, 50VA, 120x24VAC, w/ circuit breaker, DUAL HUB Labeled TX-2, TR75VA001, 75VA, 120x24VAC, w/ circuit breaker, DUAL HUB Labeled TX-2, TR100VA001, 100VA, 120x24VAC, w/ circuit breaker, DUAL HUB Labeled DC-2, HDR-30-24, 24 vdc power supply, 120VAC input, 30 watt, DIN mounted Labeled DC-2, HDR-60-24, 24 vdc power supply, 120VAC input, 60 watt, DIN mounted Labeled DC-2, HDR-100-24, 24 vdc power supply, 120VAC input, 100 watt, DIN mounted Labeled DC-2, NDR-120-24, 24 vdc power supply, 120VAC input, 120 watt, DIN mounted									

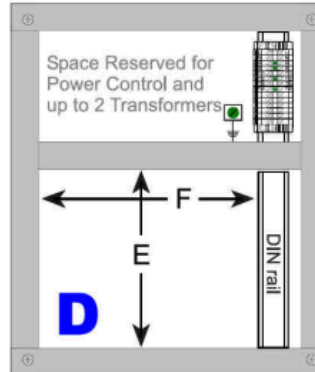
Notes
 * Option is not available if separate Power Control was selected
 ** Option is not available if separate Power Control was selected OR UL Listing is required



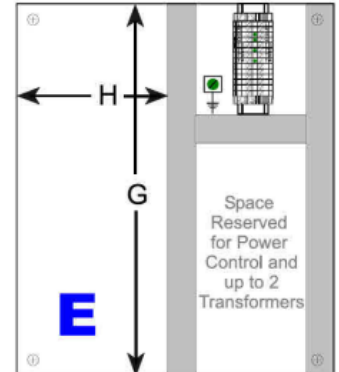
20 x 20 Horizontal Layout
w/ 1.25" x 3" Wire Duct



20 x 20 Vertical Layout
w/ 1.25" x 3" Wire Duct



20 x 20 DIN Rail Layout
w/ 1.25" x 3" Wire Duct



20 x 20 Economy Layout
w/ 1.25" x 3" Wire Duct

INSTRUCTIONS: Use Table 1 to select a subpanel that is compatible with your enclosure and NEMA rating. Insert the blue letter for Material Selection in the first highlighted field. Use the interior mounting dimensions in Table 2 to determine which Layout Configuration provides ample space to field mount and wire your components. Choose the blue letter for the appropriate layout drawing and insert this as the first character in the second highlighted field. The second character in this field will indicate wire duct color... "G" for grey or "W" for white.

Table	Options	Model #	SUB	2020	-	-	-	-	-	-
-------	---------	---------	-----	------	---	---	---	---	---	---

Material Selection from Table 1

Layout Config from Table 2 and Wire Duct Color

Table 1

Material Selection	Brand	Material	Color	Mfr Part #	Fits Enclosure	NEMA Rating
P	Hoffman	Perforated	grey	A20N20MPP	A20N20xxx	1
S	Hoffman	Solid	white	A20N20MP	A20N20xxx	1
I	Hoffman	Solid	white	A20P20	Consult Hoffman	3R, 4, 12/13
C	Hoffman	solid	white	CP2020	CSD2020xx	4, 12

Table 2

Material Selection	Interior Mounting Dimensions in Inches							
	H – Horizontal Layout		V – Vertical Layout		D – DIN Rail Layout		E – Economy Layout	
	A	B	C	D	E	F	G	H
P	8 -1/4 "	16"	14 -1/2"	9 -3/4 "	8 -1/4 "	9 -3/4 "	17"	11"
S	8 -1/4 "	16"	14 -1/2"	9 -3/4 "	8 -1/4 "	9 -3/4 "	17"	11"
I	8 -1/4 "	14 -1/2"	14 -1/2"	8 -1/4 "	8 -1/4 "	8 -1/4 "	17"	9 -1/2"
C	9 -3/8 "	15 -5/8"	15 -5/8"	9 -3/8 "	9 -3/8 "	9 -3/8"	18 -3/16 "	10 -5/8"



Table	Options	Model #	SUB	_	2020	_	_	/	_	_	_	_
-------	---------	---------	-----	---	------	---	---	---	---	---	---	---

Select (1) Option and insert the letter to fill in the highlighted field / of the EZ Panel model number

MODEL SELECTION NOTES

- Note 1:** Insert the letter "X" in this field of the EZ Panel model number if no Option is required.
Note 2: All Options are available individually. If more than (1) Option is required, simply order the additional Options using the prefix "EZ-".

Example: If your panel requires a 10 amp circuit breaker... capability to isolate the 24VAC circuits... and (20) extra terminal blocks... you would order (3) items as follows:

- SUB - P - 2020 - HG - X - C - DS -100 - 100
- EZ - G
- EZ - J

Note 3: Photo Shown as typical for panels having (2) transformers

3 AMP Breaker



3 amp DIN rail mounted circuit breaker substituted for terminal "L"



*See Note 3

5 AMP Breaker



5 amp DIN rail mounted circuit breaker substituted for terminal "L"



*See Note 3

10 AMP Breaker



10 amp DIN rail mounted circuit breaker substituted for terminal "L"



*See Note 3

3 AMP Fuse Holder



3 amp fuse holder terminal with fast-blo fuse substituted for terminal "L"



*See Note 3

5 AMP Fuse Holder



5 amp fuse holder terminal with fast-blo fuse substituted for terminal "L"



*See Note 3

10 AMP Fuse Holder



10 amp fuse holder terminal with fast-blo fuse substituted for terminal "L"



*See Note 3

Isolate 24VAC Circuit



Switching terminal block substituted for each 24VAC hot terminal block



*See Note 3

Terminal Cover



Transparent finger-safe terminal block cover. Threaded nylon nuts must be removed to access terminal block.



Continued on next page



10 Extra Terminals



10 numbered terminal blocks mounted on a 12" section of DIN rail shipped loose with mtg screws (required field installation)



*See Note 3

20 Extra Terminals



20 numbered terminal blocks mounted on a 12" section of DIN rail shipped loose with mtg screws (required field installation)



*See Note 3

40 Extra Terminals



40 numbered terminal blocks mounted on a 12" section of DIN rail shipped loose with mtg screws (required field installation)



*See Note 3

Isolated 120VAC



Solid wall wire duct to isolate line voltage terminal blocks and all 120VAC circuits. See Supplementary Spec "L" on page...



*See Note 3

2 Gang Cat5E



Two gang plastic cover plate with (2) Cat5E jacks mounted on a 2x4 handi-box. Items ship loose w/ mtg screws.



*See Note 3

4 Gang Cat5E



Four gang plastic cover plate with (4) Cat5E jacks mounted on a 2x4 handi-box. Items ship loose w/ mtg screws.



*See Note 3

Cat5E Cable



5ft Cat5E, male/male cable shipped loose.



*See Note 3



EZ PANEL™ 2020

Custom prefabricated subpanel assemblies

Model Selection Guide

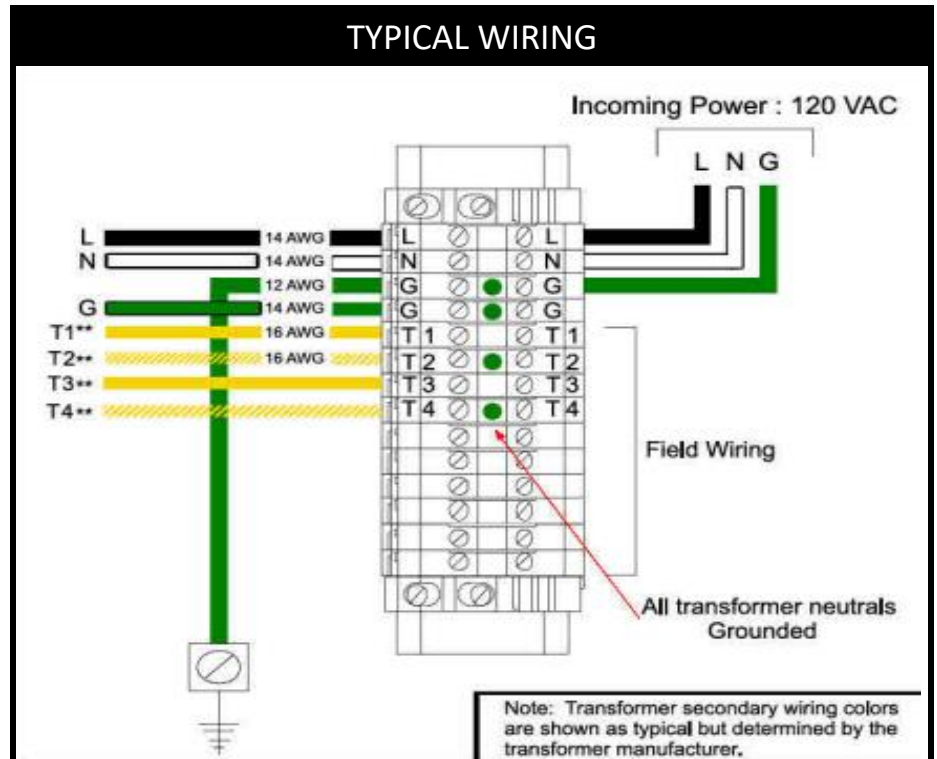
Power Control Options

Table	Options	Model #	SUB	_	2020	_	_	_	_	_	_	_
-------	---------	---------	-----	---	------	---	---	---	---	---	---	---

Select (1) Option and insert the letters to fill in the highlighted field of the EZ Panel model number

4 OPTIONS AVAILABLE

	DS
	DD
	FD
	DL



TERMINAL ASSEMBLY

Shown for (2) transformers

Bill of Materials		
COMPONENT	MANUFACTURER	PART NO.
Terminal Block	Entrelec	11511607
End Plate	Entrelec	11836816
End Stop	Entrelec	20635116
Marking Cards	Entrelec	23300001
Jumper Bar	Entrelec	17478420
Jumper Post	Entrelec	16860416
Ground Lug	IlSCO	CP-4



MODEL SELECTION NOTES

* Power control (SW-1) is optional

If no Power Control is selected, insert the letters **XX** in the highlighted field of the EZ Panel Model Number.

If no Power Control is selected, but factory mounted transformers are still required; transformers will be wired directly to the L and N terminals and will be continuously HOT when the panel is powered.

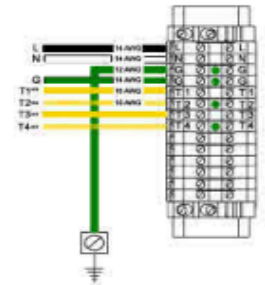
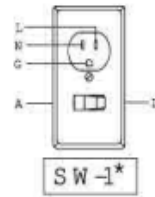
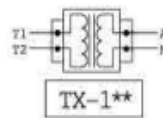
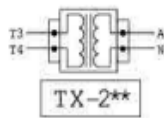
Inserting XX in this field is mandatory if Functional Devices PSH Series Combination Power Supplies are being used in lieu of standard foot mounted transformers. See below for related wiring schematics.

* * Transformers (TX-#) are optional

Every panel includes (14) total terminal blocks regardless of the transformer quantity chosen. If the maximum number of transformers is not selected, the unused terminals will include blank markers and will be available for other field terminations is required.

Power Control Option
15 amps
2 x 4 steel box w/ cover

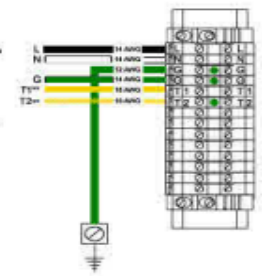
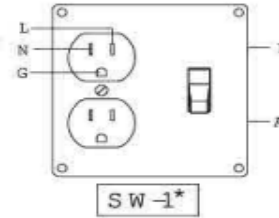
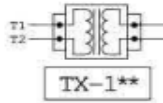
DS



Power Control Option
15 amps
4 x 4 steel box w/ cover

DD

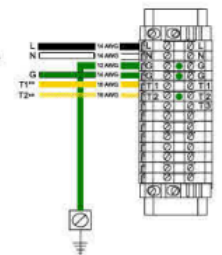
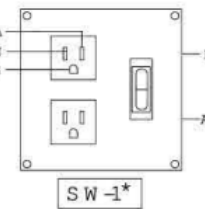
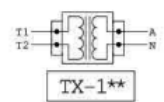
Special Note:
Due to space limitations, only (1) transformer is available with this Power Control option.



Power Control Option
Functional Devices p/n:
PSPT2RB10
10 amps
4 x 4 plastic box w/ cover

FD

Special Note:
Due to space limitations, only (1) transformer is available with this Power Control option.



Internal jumper allows receptacle to be continuously controlled by the switch

See next page for more Power Control Options

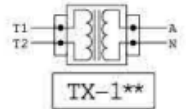


Power Control Option

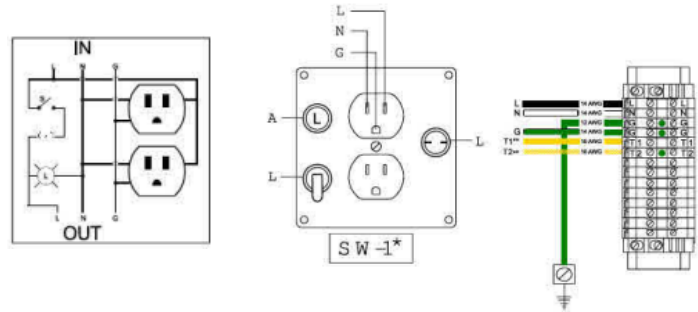
DL

- 15 amp rated components
- 4 x 4 steel box w/ cover
- * Includes red indicator light
- * Includes fuse holder w/ 10 amp fuse

Special Note:
Due to space limitations, only (1) transformer is available with this Power Control option.



Supplemental internal wiring diagram for Power Control Option DL only



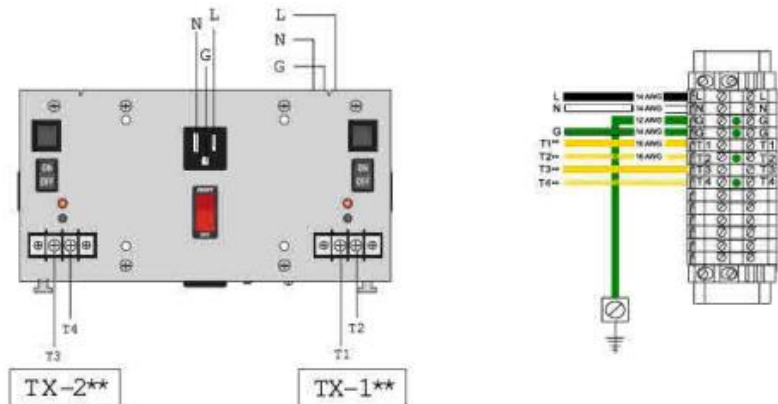
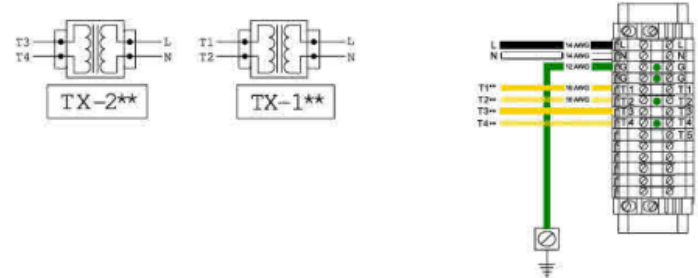
Power Control Option

XX

Valid option is no factory installed Power Control device is required for the panel. All transformers are HOT when panel is powered.

Also valid if Functional Devices PSH Series Combination Power Supplies are being used in lieu of standard foot mounted transformers.

Internal jumper allows receptacle to be continuously controlled by the switch.





EZ PANEL™ 2420

Model Selection Guide

Custom prefabricated subpanel assemblies

Fill in the blanks to build your custom model number by selecting one Option from each Table

- Consult pages 3 thru 10 to select the Material, Layout, Power Control, and other Options that best suit your application.
- Example model number ... SUB-S-2420-HG-X-X-00-050-050

Table	Options	Model #	SUB	-	2420	-	-	-	-	-	-
Type	SUB	Subpanel Assembly									
Material See page 3 Table 1	P S I C	Hoffman, A24N20MPP, Perf, NEMA 1 Hoffman, A24N20MP, solid, NEMA 1 Hoffman, A24P20, industrial, solid Hoffman, CP2420, Concept, solid									Cont'd Next Page
Size	2420	See Page 3, Table 2 for interior dimensions									
Layout See page 3 Table 2	HG HW VG VW DG DW EG EW	Horizontal layout "H" w/ grey Panduit F Series wire duct Horizontal layout "H" w/ white Panduit F Series wire duct Vertical layout "V" w/ grey Panduit F Series wire duct Vertical layout "V" w/ white Panduit F Series wire duct DIN rail layout "D" w/ grey Panduit F Series wire duct DIN rail layout "D" w/ white Panduit F Series wire duct Economy layout "E" w/ grey Panduit F Series wire duct Economy layout "E" w/ white Panduit F Series wire duct									
Approvals	X U	No approval required Meets 508A Standard for UL Listed Open Control Panel									
Options See page 4	X A B C D E F G H I J K L M N O	No option selected 3 amp DIN rail mounted circuit breaker substituted for terminal "L" 5 amp DIN rail mounted circuit breaker substituted for terminal "L" 10 amp DIN rail mounted circuit breaker substituted for terminal "L" 3 amp fuse holder terminal substituted for terminal "L" w/ 250V Slo-Blo fuse 5 amp fuse holder terminal substituted for terminal "L" w/ 250V Slo-Blo fuse 10 amp fuse holder terminal substituted for terminal "L" w/ 32V Slo-Blo fuse Switching terminal block substituted for each 24VAC hot terminal block Finger-safe terminal block cover, transparent (protects entire terminal strip) 10 extra terminals mounted on 12 inch DIN rail (shipped loose w/ mntg screws) 20 extra terminals mounted on 12 inch DIN rail (shipped loose w/ mntg screws) 40 extra terminals mounted on 12 inch DIN rail (shipped loose w/ mntg screws) Solid wall wire duct to enclose 120VAC circuits – see Supplementary Spec "L" 2x4 box w/ 2 gang Cat5E cover plate and jacks – ships loose w/ screws 2x4 box w/ 4 gang Cat5E cover plate and jacks – ships loose w/ screws 5ft Cat5E cable, male/male – ships loose									
Power Control See pages 5 & 6	XX DS DD FD DL	No factory mounted disconnect or receptacle required Used for SW-1, 15 amp disconnect & single receptacle w/ 2x4 box Used for SW-1, 15 amp disconnect & duplex receptacle w/ 4x4 box Used for SW-1, 10 amp Functional Devices PSPT2RB10 w/ 4x4 box Used for SW-1, 15 amp disconnect & duplex receptacle, indicator light, 10 amp fuse w/ 4x4 box									
Control Power Transformers & Pwr Supplies See page 7	000 040 050 075 100 D40 D50 D75 D10	No factory mounted transformer or power supply required Labeled TX-1, TR40VA001, 40VA, 120x24VAC Labeled TX-1, TR50VA001, 50VA, 120x24VAC, w/ circuit breaker Labeled TX-1, TR75VA001, 75VA, 120x24VAC, w/ circuit breaker Labeled TX-1, TR100VA001, 100VA, 120x24VAC, w/ circuit breaker Labeled TX-1, TR40VA001, 40VA, 120x24VAC, w/ circuit breaker, DUAL HUB Labeled TX-1, TR50VA001, 50VA, 120x24VAC, w/ circuit breaker, DUAL HUB Labeled TX-1, TR75VA001, 75VA, 120x24VAC, w/ circuit breaker, DUAL HUB Labeled TX-1, TR100VA001, 100VA, 120x24VAC, w/ circuit breaker, DUAL HUB									Cont'd Next Page



Fill in the blanks to build your custom model number by selecting one Option from each Table

- Consult pages 3 thru 10 to select the Material, Layout, Power Control, and other Options that best suit your application.
- Example model number ... SUB-S-2420-HG-X-X-00-050-050

Table	Options	Model #	SUB	-	2420	-	-	-	-	-	-
Control Power Transformers & Pwr Supplies See page 7	F04* F44* F47** F41* F07** F77** F71** F01* F11* I23 I26 I22 I21	TX-1, PSH40AB10, power supply, 120x24VAC, 40VA, w/ breaker & outlet TX-1/2, PSH40A40AB10, dual power supply, 120x24VAC, (2) 40VA, w/ breaker & outlet TX-1/2, PSH40A75AB10, dual power supply, 120x24VAC, 40VA/75VA, w/ breaker & outlet TX-1/2, PSH40A100AB10, dual power supply, 120x24VAC, 40VA/100VA, w/ breaker & outlet TX-1, PSH75AB10, power supply, 120x24VAC, 75VA, w/ breaker & outlet TX-1/2, PSH75A75AB10, dual power supply, 120x24VAC, (2) 75VA, w/ breaker & outlet TX-1/2, PSH75A100AB10, dual power supply, 120x24VAC, 75VA/100VA, w/ breaker & outlet TX-1, PSH100AB10, power supply, 120x24VAC, 100VA, w/ breaker & outlet TX-1/2, PSH100A100AB10, dual power supply, 120x24VAC, (2) 100VA, w/ breaker & outlet Labeled DC-1, HDR-30-24, 24 vdc power supply, 120VAC input, 30 watt, DIN mounted Labeled DC-1, HDR-60-24, 24 vdc power supply, 120VAC input, 60 watt, DIN mounted Labeled DC-1, HDR-100-24, 24 vdc power supply, 120VAC input, 100 watt, DIN mounted Labeled DC-1, NDR-120-24, 24 vdc power supply, 120VAC input, 120 watt, DIN mounted									
Field or Auxiliary Power Transformers & Pwr Supplies See page 7	000 040 050 075 100 D40 D50 D75 D10 I23 I26 I22 I21	No factory mounted transformer or power supply required Labeled TX-2, TR40VA001, 40VA, 120x24VAC Labeled TX-2, TR50VA001, 50VA, 120x24VAC, w/ circuit breaker Labeled TX-2, TR75VA001, 75VA, 120x24VAC, w/ circuit breaker Labeled TX-2, TR100VA001, 100VA, 120x24VAC, w/ circuit breaker Labeled TX-2, TR40VA001, 40VA, 120x24VAC, w/ circuit breaker, DUAL HUB Labeled TX-2, TR50VA001, 50VA, 120x24VAC, w/ circuit breaker, DUAL HUB Labeled TX-2, TR75VA001, 75VA, 120x24VAC, w/ circuit breaker, DUAL HUB Labeled TX-2, TR100VA001, 100VA, 120x24VAC, w/ circuit breaker, DUAL HUB Labeled DC-2, HDR-30-24, 24 vdc power supply, 120VAC input, 30 watt, DIN mounted Labeled DC-2, HDR-60-24, 24 vdc power supply, 120VAC input, 60 watt, DIN mounted Labeled DC-2, HDR-100-24, 24 vdc power supply, 120VAC input, 100 watt, DIN mounted Labeled DC-2, NDR-120-24, 24 vdc power supply, 120VAC input, 120 watt, DIN mounted									

Notes
* Option is not available if separate Power Control was selected
** Option is not available if separate Power Control was selected OR UL Listing is required

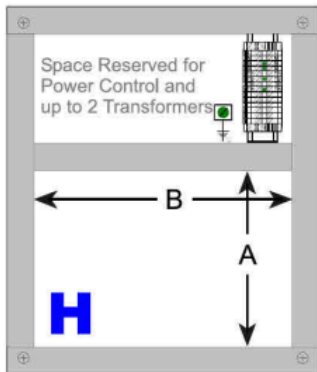


EZ PANEL™ 2420

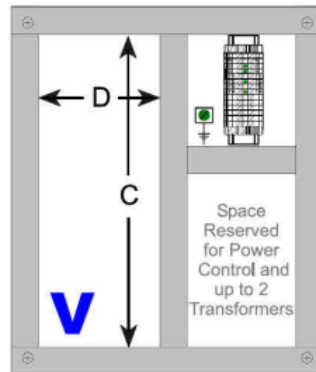
Model Selection Guide

Custom prefabricated subpanel assemblies

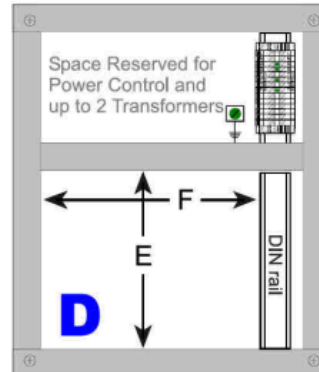
Subpanel Material and Layout Options



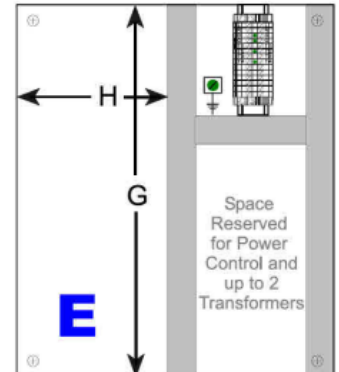
24 x 20 Horizontal Layout
w/ 1.25" x 3" Wire Duct



24 x 20 Vertical Layout
w/ 1.25" x 3" Wire Duct



24 x 20 DIN Rail Layout
w/ 1.25" x 3" Wire Duct



24 x 20 Economy Layout
w/ 1.25" x 3" Wire Duct

INSTRUCTIONS: Use Table 1 to select a subpanel that is compatible with your enclosure and NEMA rating. Insert the blue letter for Material Selection in the first highlighted field. Use the interior mounting dimensions in Table 2 to determine which Layout Configuration provides ample space to field mount and wire your components. Choose the blue letter for the appropriate layout drawing and insert this as the first character in the second highlighted field. The second character in this field will indicate wire duct color... "G" for grey or "W" for white.

Table	Options	Model #	SUB	2420						
-------	---------	---------	-----	------	--	--	--	--	--	--

Material Selection from Table 1 Layout Config from Table 2 and Wire Duct Color

Table 1

Material Selection	Brand	Material	Color	Mfr Part #	Fits Enclosure	NEMA Rating
P	Hoffman	Perforated	grey	A24N20MPP	A24N20xxx	1
S	Hoffman	Solid	white	A24N20MP	A24N20xxx	1
I	Hoffman	Solid	white	A24P20	Consult Hoffman	3R, 4, 12/13
C	Hoffman	solid	white	CP2420	CSD2420xx	4, 12

Table 2

Material Selection	Interior Mounting Dimensions in Inches							
	H – Horizontal Layout		V – Vertical Layout		D – DIN Rail Layout		E – Economy Layout	
	A	B	C	D	E	F	G	H
P	12 -1/4 "	16"	18 -1/2"	9 -3/4 "	12 -1/4 "	9 -3/4 "	21"	11"
S	12 -1/4 "	16"	18 -1/2"	9 -3/4 "	12 -1/4 "	9 -3/4 "	21"	11"
I	12 -1/4 "	14 -1/2"	18 -1/2"	8 -1/4 "	12 -1/4 "	8 -1/4 "	21"	9 -1/2"
C	13 -3/8 "	15 -5/8"	19 -5/8"	9 -3/8 "	13 -3/8 "	9 -3/8"	22 -3/16 "	10 -5/8"



Table	Options	Model #	SUB	-	2420	-	-	-	-	-	-
-------	---------	---------	-----	---	------	---	---	---	---	---	---

Select (1) Option and insert the letter to fill in the highlighted field / of the EZ Panel model number

MODEL SELECTION NOTES

- Note 1:** Insert the letter "X" in this field of the EZ Panel model number if no Option is required.
Note 2: All Options are available individually. If more than (1) Option is required, simply order the additional Options using the prefix "EZ-".

Example: If your panel requires a 10 amp circuit breaker... capability to isolate the 24VAC circuits... and (20) extra terminal blocks... you would order (3) items as follows:

- SUB - P - 2420 - HG - X - C - DS -100 - 100
- EZ - G
- EZ - J

Note 3: Photo Shown as typical for panels having (2) transformers

3 AMP Breaker



3 amp DIN rail mounted circuit breaker substituted for terminal "L"



*See Note 3

5 AMP Breaker



5 amp DIN rail mounted circuit breaker substituted for terminal "L"



*See Note 3

10 AMP Breaker



10 amp DIN rail mounted circuit breaker substituted for terminal "L"



*See Note 3

3 AMP Fuse Holder



3 amp fuse holder terminal with fast-blo fuse substituted for terminal "L"



*See Note 3

5 AMP Fuse Holder



5 amp fuse holder terminal with fast-blo fuse substituted for terminal "L"



*See Note 3

10 AMP Fuse Holder



10 amp fuse holder terminal with fast-blo fuse substituted for terminal "L"



*See Note 3

Isolate 24VAC Circuit



Switching terminal block substituted for each 24VAC hot terminal block



*See Note 3

Terminal Cover



Transparent finger-safe terminal block cover. Threaded nylon nuts must be removed to access terminal block.



Continued on next page



10 Extra Terminals



10 numbered terminal blocks mounted on a 12" section of DIN rail shipped loose with mtg screws (required field installation)



*See Note 3

20 Extra Terminals



20 numbered terminal blocks mounted on a 12" section of DIN rail shipped loose with mtg screws (required field installation)



*See Note 3

40 Extra Terminals



40 numbered terminal blocks mounted on a 12" section of DIN rail shipped loose with mtg screws (required field installation)



*See Note 3

Isolated 120VAC



Solid wall wire duct to isolate line voltage terminal blocks and all 120VAC circuits. See Supplementary Spec "L" on page...



*See Note 3

2 Gang Cat5E



Two gang plastic cover plate with (2) Cat5E jacks mounted on a 2x4 handi-box. Items ship loose w/ mtg screws.



*See Note 3

4 Gang Cat5E



Four gang plastic cover plate with (4) Cat5E jacks mounted on a 2x4 handi-box. Items ship loose w/ mtg screws.



*See Note 3

Cat5E Cable



5ft Cat5E, male/male cable shipped loose.



*See Note 3



EZ PANEL™ 2420

Custom prefabricated subpanel assemblies

Model Selection Guide

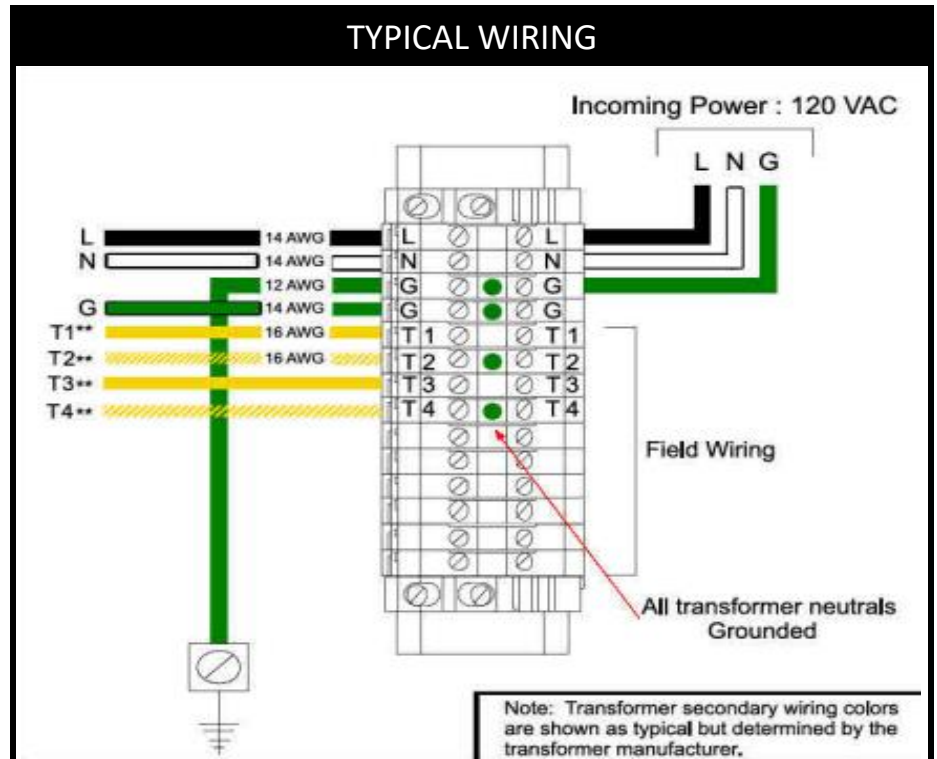
Power Control Options

Table	Options	Model #	SUB	_	2420	_	_	_	_ _	_ _ _	_ _ _
-------	---------	---------	-----	---	------	---	---	---	-----	-------	-------

Select (1) Option and insert the letters to fill in the highlighted field of the EZ Panel model number

4 OPTIONS AVAILABLE

	DS
	DD
	FD
	DL



TERMINAL ASSEMBLY

Shown for (2) transformers

Bill of Materials		
COMPONENT	MANUFACTURER	PART NO.
Terminal Block	Entrelec	11511607
End Plate	Entrelec	11836816
End Stop	Entrelec	20635116
Marking Cards	Entrelec	23300001
Jumper Bar	Entrelec	17478420
Jumper Post	Entrelec	16860416
Ground Lug	IlSCO	CP-4



MODEL SELECTION NOTES

* Power control (SW-1) is optional

If no Power Control is selected, insert the letters **XX** in the highlighted field of the EZ Panel Model Number.

If no Power Control is selected, but factory mounted transformers are still required; transformers will be wired directly to the L and N terminals and will be continuously HOT when the panel is powered.

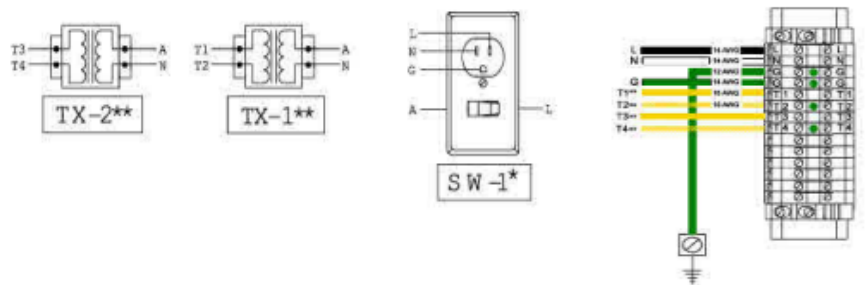
Inserting XX in this field is mandatory if Functional Devices PSH Series Combination Power Supplies are being used in lieu of standard foot mounted transformers. See below for related wiring schematics.

* * Transformers (TX-#) are optional

Every panel includes (14) total terminal blocks regardless of the transformer quantity chosen. If the maximum number of transformers is not selected, the unused terminals will include blank markers and will be available for other field terminations is required.

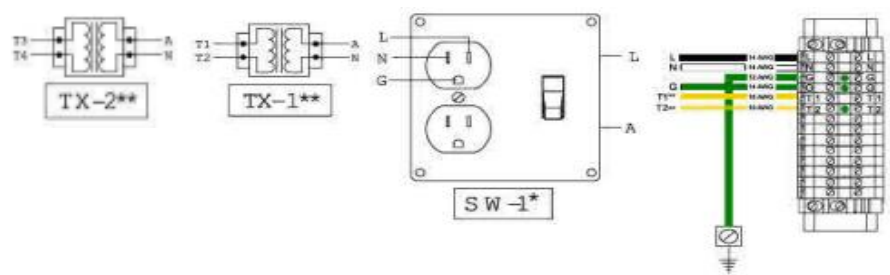
Power Control Option
15 amps
2 x 4 steel box w/ cover

DS



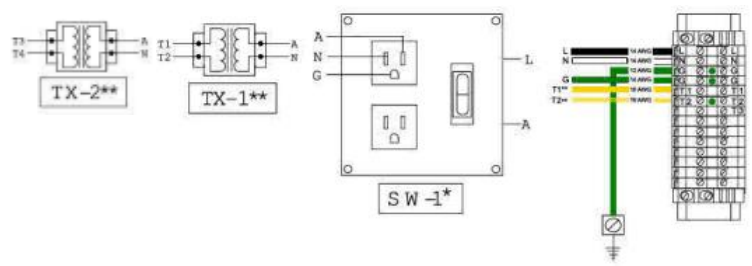
Power Control Option
15 amps
4 x 4 steel box w/ cover

DD



Power Control Option
Functional Devices p/n:
PSPT2RB10
10 amps
4 x 4 plastic box w/ cover

FD



Internal jumper allows receptacle to be continuously controlled by the switch

See next page for more Power Control Options

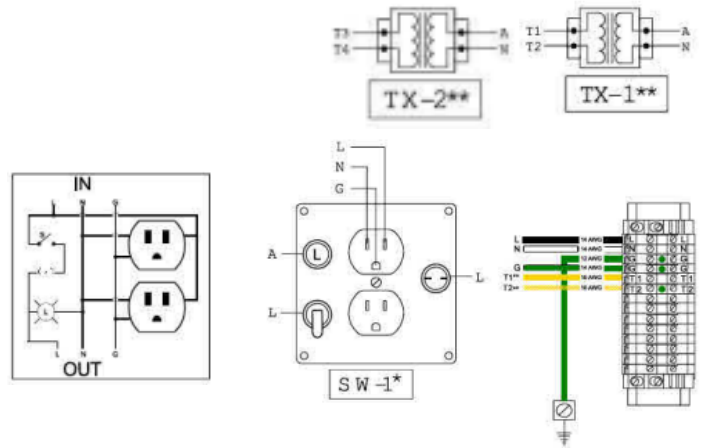


Power Control Option

DL

- 15 amp rated components
- 4 x 4 steel box w/ cover
- * Includes red indicator light
- * Includes fuse holder w/ 10 amp fuse

Supplemental internal wiring diagram for Power Control Option DL only



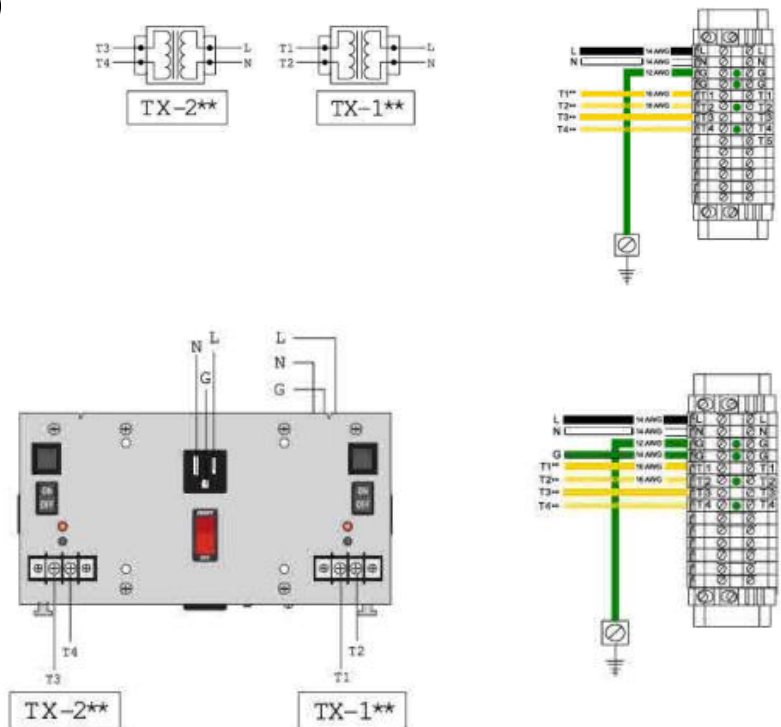
Power Control Option

XX

Valid option is no factory installed Power Control device is required for the panel. All transformers are HOT when panel is powered.

Also valid if Functional Devices PSH Series Combination Power Supplies are being used in lieu of standard foot mounted transformers.

Internal jumper allows receptacle to be continuously controlled by the switch.





EZ PANEL™ 2420

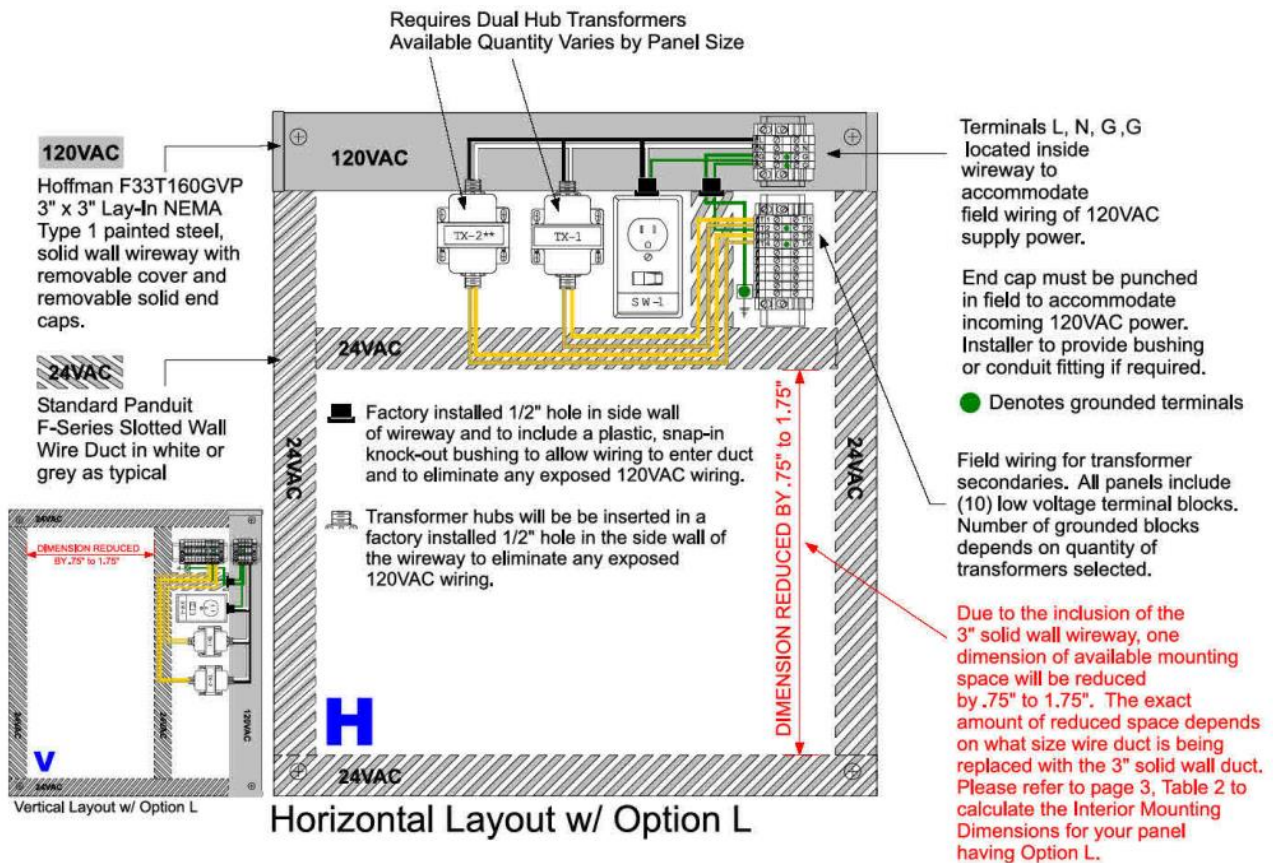
Custom prefabricated subpanel assemblies

Model Selection Guide

Option "L" Supplementary Specification

This is a supplementary specification guide and should be used in conjunction with the standard EZ Panel Model Selection Guides for each panel size offered in our product line. This document only applies to EZ Panels with "L" selected in the Options table. This design satisfies separation of circuits as well as strict panel standards which prohibit exposed 120VAC or line voltage wiring. Please note that choosing Option "L" dictates some panel choices and limits others. Specifying panels with this option reduces the standard available interior, module mounting space for all sizes and all applicable layouts. Please follow model selection instructions carefully.

Only Horizontal and Vertical layouts are shown below. However, Option "L" is available with every size and layout in the EZ Panel product line. Feature details shown on the horizontal layout are typical except that reduced interior mounting dimensions will vary depending on what size wire duct is replaced by the solid wall duct.





EZ PANEL™ 2424

Model Selection Guide

Custom prefabricated subpanel assemblies

Fill in the blanks to build your custom model number by selecting one Option from each Table

- Consult pages 3 thru 10 to select the Material, Layout, Power Control, and other Options that best suit your application.
- Example model number ... SUB-S-2420-HG-X-X-00-050-050

Table	Options	Model #	SUB	-	2424	-	-	-	-	-	-	-	
Type	SUB	Subpanel Assembly											
Material See page 3 Table 1	P S I C	Hoffman, A24N24MPP, Perf, NEMA 1 Hoffman, A24N24MP, solid, NEMA 1 Hoffman, A24P24, industrial, solid Hoffman, CP2424, Concept, solid									Cont'd Next Page	Cont'd Next Page	Cont'd Next Page
Size	2424	See Page 3, Table 2 for interior dimensions											
Layout See page 3 Table 2	HG HW VG VW DG DW EG EW QG QW	Horizontal layout "H" w/ grey Panduit F Series wire duct Horizontal layout "H" w/ white Panduit F Series wire duct Vertical layout "V" w/ grey Panduit F Series wire duct Vertical layout "V" w/ white Panduit F Series wire duct DIN rail layout "D" w/ grey Panduit F Series wire duct DIN rail layout "D" w/ white Panduit F Series wire duct Economy layout "E" w/ grey Panduit F Series wire duct Economy layout "E" w/ white Panduit F Series wire duct Quad layout "Q" w/ grey Panduit F series wire duct Quad layout "Q" w/ white Panduit F series wire duct											
Approvals	X U	No approval required Meets 508A Standard for UL Listed Open Control Panel											
Options See page 4	X A B C D E F G H I J K L M N O	No option selected 3 amp DIN rail mounted circuit breaker substituted for terminal "L" 5 amp DIN rail mounted circuit breaker substituted for terminal "L" 10 amp DIN rail mounted circuit breaker substituted for terminal "L" 3 amp fuse holder terminal substituted for terminal "L" w/ 250V Slo-Blo fuse 5 amp fuse holder terminal substituted for terminal "L" w/ 250V Slo-Blo fuse 10 amp fuse holder terminal substituted for terminal "L" w/ 32V Slo-Blo fuse Switching terminal block substituted for each 24VAC hot terminal block Finger-safe terminal block cover, transparent (protects entire terminal strip) 10 extra terminals mounted on 12 inch DIN rail (shipped loose w/ mntg screws) 20 extra terminals mounted on 12 inch DIN rail (shipped loose w/ mntg screws) 40 extra terminals mounted on 12 inch DIN rail (shipped loose w/ mntg screws) Solid wall wire duct to enclose 120VAC circuits – see Supplementary Spec "L" 2x4 box w/ 2 gang Cat5E cover plate and jacks – ships loose w/ screws 2x4 box w/ 4 gang Cat5E cover plate and jacks – ships loose w/ screws 5ft Cat5E cable, male/male – ships loose											
Power Control See pages 5 & 6	XX DS DD FD DL	No factory mounted disconnect or receptacle required Used for SW-1, 15 amp disconnect & single receptacle w/ 2x4 box Used for SW-1, 15 amp disconnect & duplex receptacle w/ 4x4 box Used for SW-1, 10 amp Functional Devices PSPT2RB10 w/ 4x4 box Used for SW-1, 15 amp disconnect & duplex receptacle, indicator light, 10 amp fuse w/ 4x4 box											
Control Power Transformers & Pwr Supplies See page 7 Cont'd Next Page	000 040 050 075 100 D40 D50 D75 D10	No factory mounted transformer or power supply required Labeled TX-1, TR40VA001, 40VA, 120x24VAC Labeled TX-1, TR50VA001, 50VA, 120x24VAC, w/ circuit breaker Labeled TX-1, TR75VA001, 75VA, 120x24VAC, w/ circuit breaker Labeled TX-1, TR100VA001, 100VA, 120x24VAC, w/ circuit breaker Labeled TX-1, TR40VA001, 40VA, 120x24VAC, w/ circuit breaker, DUAL HUB Labeled TX-1, TR50VA001, 50VA, 120x24VAC, w/ circuit breaker, DUAL HUB Labeled TX-1, TR75VA001, 75VA, 120x24VAC, w/ circuit breaker, DUAL HUB Labeled TX-1, TR100VA001, 100VA, 120x24VAC, w/ circuit breaker, DUAL HUB									Cont'd Next Page	Cont'd Next Page	



Fill in the blanks to build your custom model number by selecting one Option from each Table

- Consult pages 3 thru 10 to select the Material, Layout, Power Control, and other Options that best suit your application.
- Example model number ... SUB-S-2420-HG-X-X-00-050-050

Table	Options	Model #	SUB	-	2424	-	-	-	-	-	-	-	
Control Power Transformers & Pwr Supplies See page 7	F04* F44* F47** F41* F07** F77** F71** F01* F11* I23 I26 I22 I21	TX-1, PSH40AB10, power supply, 120x24VAC, 40VA, w/ breaker & outlet TX-1/2, PSH40A40AB10, dual power supply, 120x24VAC, (2) 40VA, w/ breaker & outlet TX-1/2, PSH40A75AB10, dual power supply, 120x24VAC, 40VA/75VA, w/ breaker & outlet TX-1/2, PSH40A100AB10, dual power supply, 120x24VAC, 40VA/100VA, w/ breaker & outlet TX-1, PSH75AB10, power supply, 120x24VAC, 75VA, w/ breaker & outlet TX-1/2, PSH75A75AB10, dual power supply, 120x24VAC, (2) 75VA, w/ breaker & outlet TX-1/2, PSH75A100AB10, dual power supply, 120x24VAC, 75VA/100VA, w/ breaker & outlet TX-1, PSH100AB10, power supply, 120x24VAC, 100VA, w/ breaker & outlet TX-1/2, PSH100A100AB10, dual power supply, 120x24VAC, (2) 100VA, w/ breaker & outlet Labeled DC-1, HDR-30-24, 24 vdc power supply, 120VAC input, 30 watt, DIN mounted Labeled DC-1, HDR-60-24, 24 vdc power supply, 120VAC input, 60 watt, DIN mounted Labeled DC-1, HDR-100-24, 24 vdc power supply, 120VAC input, 100 watt, DIN mounted Labeled DC-1, NDR-120-24, 24 vdc power supply, 120VAC input, 120 watt, DIN mounted											
Field or Auxiliary Power Transformers & Pwr Supplies See page 7	000 040 050 075 100 D40 D50 D75 D10 F04* F07** F01* I23 I26 I22 I21	No factory mounted transformer or power supply required Labeled TX-2, TR40VA001, 40VA, 120x24VAC Labeled TX-2, TR50VA001, 50VA, 120x24VAC, w/ circuit breaker Labeled TX-2, TR75VA001, 75VA, 120x24VAC, w/ circuit breaker Labeled TX-2, TR100VA001, 100VA, 120x24VAC, w/ circuit breaker Labeled TX-2, TR40VA001, 40VA, 120x24VAC, w/ circuit breaker, DUAL HUB Labeled TX-2, TR50VA001, 50VA, 120x24VAC, w/ circuit breaker, DUAL HUB Labeled TX-2, TR75VA001, 75VA, 120x24VAC, w/ circuit breaker, DUAL HUB Labeled TX-2, TR100VA001, 100VA, 120x24VAC, w/ circuit breaker, DUAL HUB TX-2, PSH40AB10, power supply, 120x24VAC, 40VA, w/ breaker & outlet TX-2, PSH75AB10, power supply, 120x24VAC, 75VA, w/ breaker & outlet TX-2, PSH100AB10, power supply, 120x24VAC, 100VA, w/ breaker & outlet Labeled DC-2, HDR-30-24, 24 vdc power supply, 120VAC input, 30 watt, DIN mounted Labeled DC-2, HDR-60-24, 24 vdc power supply, 120VAC input, 60 watt, DIN mounted Labeled DC-2, HDR-100-24, 24 vdc power supply, 120VAC input, 100 watt, DIN mounted Labeled DC-2, NDR-120-24, 24 vdc power supply, 120VAC input, 120 watt, DIN mounted											
Field or Auxiliary Power Transformers & Pwr Supplies See page 7	000 040 050 075 100 D40 D50 D75 D10 I23 I26 I22 I21	No factory mounted transformer or power supply required Labeled TX-3, TR40VA001, 40VA, 120x24VAC Labeled TX-3, TR50VA001, 50VA, 120x24VAC, w/ circuit breaker Labeled TX-3, TR75VA001, 75VA, 120x24VAC, w/ circuit breaker Labeled TX-3, TR100VA001, 100VA, 120x24VAC, w/ circuit breaker Labeled TX-3, TR40VA001, 40VA, 120x24VAC, w/ circuit breaker, DUAL HUB Labeled TX-3, TR50VA001, 50VA, 120x24VAC, w/ circuit breaker, DUAL HUB Labeled TX-3, TR75VA001, 75VA, 120x24VAC, w/ circuit breaker, DUAL HUB Labeled TX-3, TR100VA001, 100VA, 120x24VAC, w/ circuit breaker, DUAL HUB Labeled DC-3, HDR-30-24, 24 vdc power supply, 120VAC input, 30 watt, DIN mounted Labeled DC-3, HDR-60-24, 24 vdc power supply, 120VAC input, 60 watt, DIN mounted Labeled DC-3, HDR-100-24, 24 vdc power supply, 120VAC input, 100 watt, DIN mounted Labeled DC-3, NDR-120-24, 24 vdc power supply, 120VAC input, 120 watt, DIN mounted											

Notes
* Option is not available if separate Power Control was selected
** Option is not available if separate Power Control was selected OR UL Listing is required



Table	Options	Model #	SUB	_	2424	_	_	_	_	_	_	_
-------	---------	---------	-----	---	------	---	---	---	---	---	---	---

Select (1) Option and insert the letter to fill in the highlighted field / of the EZ Panel model number

MODEL SELECTION NOTES

- Note 1:** Insert the letter "X" in this field of the EZ Panel model number if no Option is required.
Note 2: All Options are available individually. If more than (1) Option is required, simply order the additional Options using the prefix "EZ-".

Example: If your panel requires a 10 amp circuit breaker... capability to isolate the 24VAC circuits... and (20) extra terminal blocks... you would order (3) items as follows:

- SUB - P - 2424 - HG - X - C - DS -100 - 100 - 100
- EZ - G
- EZ - J

Note 3: Photo Shown as typical for panels having (2) transformers

3 AMP Breaker



3 amp DIN rail mounted circuit breaker substituted for terminal "L"



*See Note 3

5 AMP Breaker



5 amp DIN rail mounted circuit breaker substituted for terminal "L"



*See Note 3

10 AMP Breaker



10 amp DIN rail mounted circuit breaker substituted for terminal "L"



*See Note 3

3 AMP Fuse Holder



3 amp fuse holder terminal with fast-blo fuse substituted for terminal "L"



*See Note 3

5 AMP Fuse Holder



5 amp fuse holder terminal with fast-blo fuse substituted for terminal "L"



*See Note 3

10 AMP Fuse Holder



10 amp fuse holder terminal with fast-blo fuse substituted for terminal "L"



*See Note 3

Isolate 24VAC Circuit



Switching terminal block substituted for each 24VAC hot terminal block



*See Note 3

Terminal Cover



Transparent finger-safe terminal block cover. Threaded nylon nuts must be removed to access terminal block.



Continued on next page



10 Extra Terminals



10 numbered terminal blocks mounted on a 12" section of DIN rail shipped loose with mtg screws (required field installation)



*See Note 3

20 Extra Terminals



20 numbered terminal blocks mounted on a 12" section of DIN rail shipped loose with mtg screws (required field installation)



*See Note 3

40 Extra Terminals



40 numbered terminal blocks mounted on a 12" section of DIN rail shipped loose with mtg screws (required field installation)



*See Note 3

Isolated 120VAC



Solid wall wire duct to isolate line voltage terminal blocks and all 120VAC circuits. See Supplementary Spec "L" on page...



*See Note 3

2 Gang Cat5E



Two gang plastic cover plate with (2) Cat5E jacks mounted on a 2x4 handi-box. Items ship loose w/ mtg screws.



*See Note 3

4 Gang Cat5E



Four gang plastic cover plate with (4) Cat5E jacks mounted on a 2x4 handi-box. Items ship loose w/ mtg screws.



*See Note 3

Cat5E Cable



5ft Cat5E, male/male cable shipped loose.



*See Note 3



EZ PANEL™ 2424

Model Selection Guide

Custom prefabricated subpanel assemblies

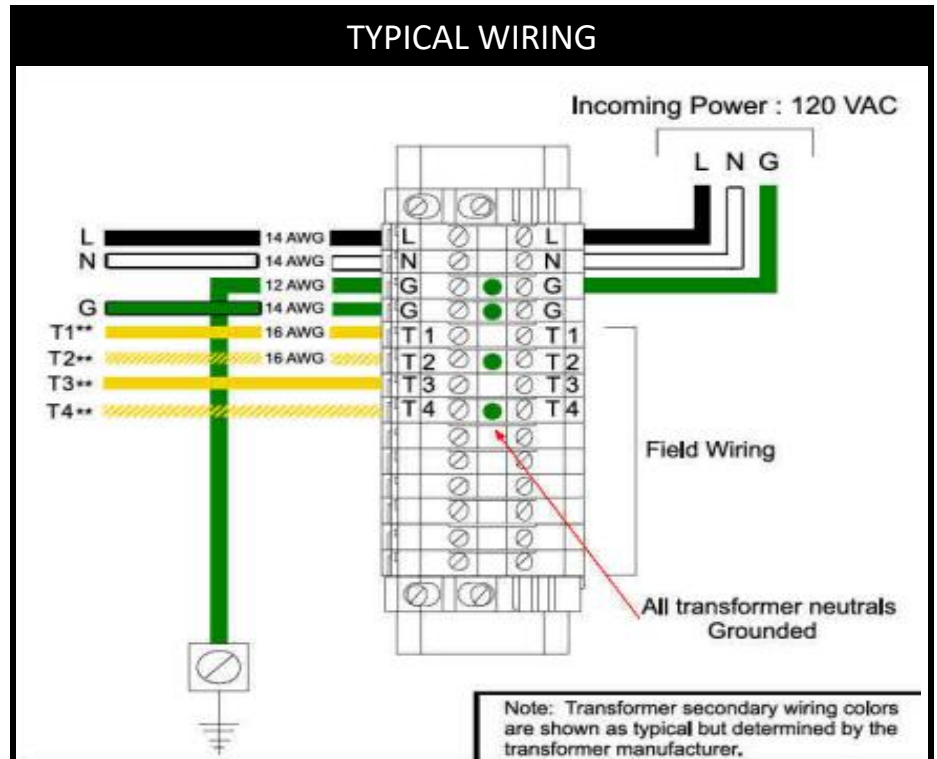
Power Control Options

Table	Options	Model #	SUB	_	2424	_	_	_	_	_	_
-------	---------	---------	-----	---	------	---	---	---	---	---	---

Select (1) Option and insert the letters to fill in the highlighted field of the EZ Panel model number

4 OPTIONS AVAILABLE

	DS
	DD
	FD
	DL



TERMINAL ASSEMBLY

Shown for (2) transformers

Bill of Materials		
COMPONENT	MANUFACTURER	PART NO.
Terminal Block	Entelec	11511607
End Plate	Entelec	11836816
End Stop	Entelec	20635116
Marking Cards	Entelec	23300001
Jumper Bar	Entelec	17478420
Jumper Post	Entelec	16860416
Ground Lug	IlSCO	CP-4



MODEL SELECTION NOTES

* Power control (SW-1) is optional

If no Power Control is selected, insert the letters **XX** in the highlighted field of the EZ Panel Model Number.

If no Power Control is selected, but factory mounted transformers are still required; transformers will be wired directly to the L and N terminals and will be continuously HOT when the panel is powered.

Inserting XX in this field is mandatory if Functional Devices PSH Series Combination Power Supplies are being used in lieu of standard foot mounted transformers. See below for related wiring schematics.

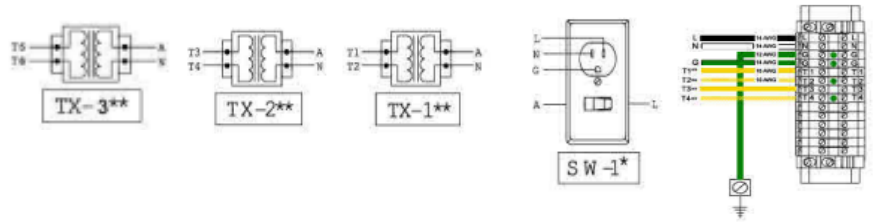
* * Transformers (TX-#) are optional

Every panel includes (14) total terminal blocks regardless of the transformer quantity chosen. If the maximum number of transformers is not selected, the unused terminals will include blank markers and will be available for other field terminations is required.

Power Control Option

15 amps
2 x 4 steel box w/ cover

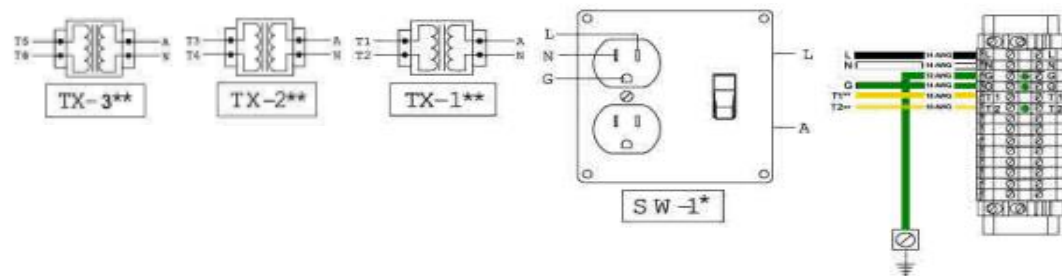
DS



Power Control Option

15 amps
4 x 4 steel box w/ cover

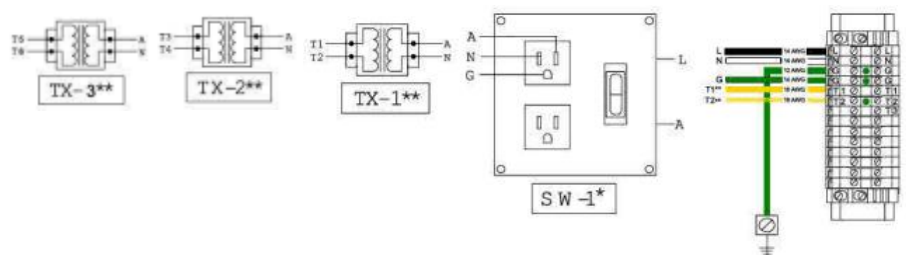
DD



Power Control Option

Functional Devices p/n:
PSPT2RB10
10 amps
4 x 4 plastic box w/ cover

FD



Internal jumper allows receptacle to be continuously controlled by the switch

See next page for more Power Control Options

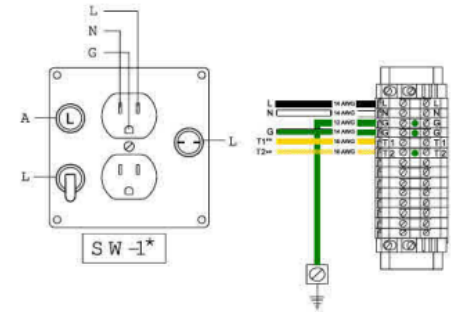
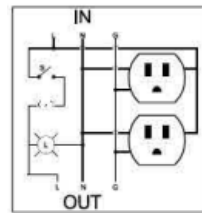
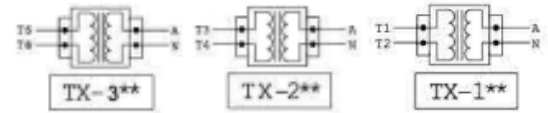


Power Control Option

DL

- 15 amp rated components
- 4 x 4 steel box w/ cover
- * Includes red indicator light
- * Includes fuse holder w/ 10 amp fuse

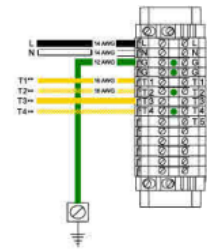
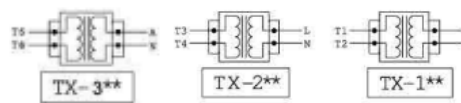
Supplemental internal wiring diagram for Power Control Option DL only



Power Control Option

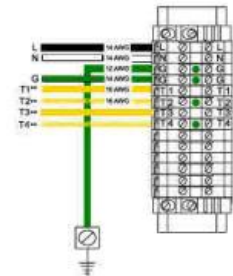
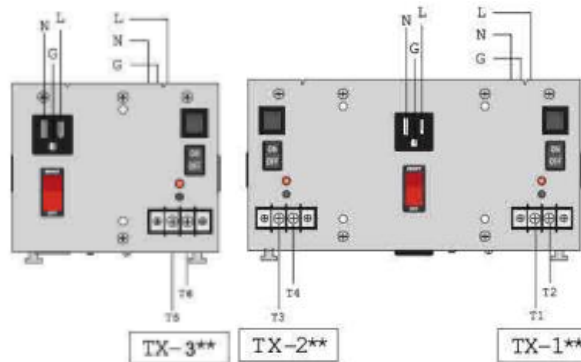
XX

- Valid option is no factory installed Power Control device is required for the panel. All transformers are HOT when panel is powered.



Also valid if Functional Devices PSH Series Combination Power Supplies are being used in lieu of standard foot mounted transformers.

Internal jumper allows receptacle to be continuously controlled by the switch.





EZ PANEL™ 2424

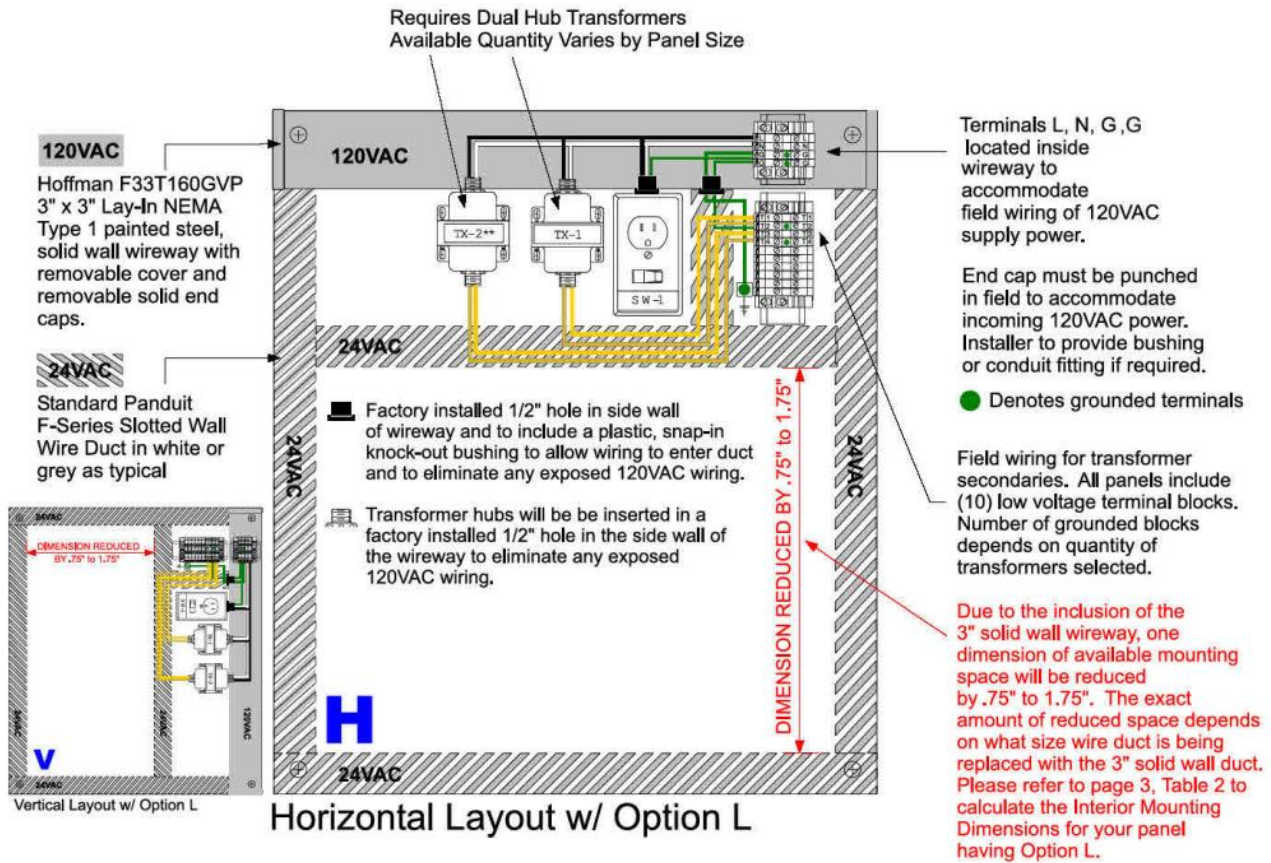
Custom prefabricated subpanel assemblies

Model Selection Guide

Option "L" Supplementary Specification

This is a supplementary specification guide and should be used in conjunction with the standard EZ Panel Model Selection Guides for each panel size offered in our product line. This document only applies to EZ Panels with "L" selected in the Options table. This design satisfies separation of circuits as well as strict panel standards which prohibit exposed 120VAC or line voltage wiring. Please note that choosing Option "L" dictates some panel choices and limits others. Specifying panels with this option reduces the standard available interior, module mounting space for all sizes and all applicable layouts. Please follow model selection instructions carefully.

Only Horizontal and Vertical layouts are shown below. However, Option "L" is available with every size and layout in the EZ Panel product line. Feature details shown on the horizontal layout are typical except that reduced interior mounting dimensions will vary depending on what size wire duct is replaced by the solid wall duct.





EZ PANEL™ 3024

Model Selection Guide

Custom prefabricated subpanel assemblies

Fill in the blanks to build your custom model number by selecting one Option from each Table

- Consult pages 3 thru 10 to select the Material, Layout, Power Control, and other Options that best suit your application.
- Example model number ... SUB-S-2420-HG-X-X-00-050-050

Table	Options	Model #	SUB	-	3024	-	-	-	-	-	-	-	
Type	SUB	Subpanel Assembly											
Material See page 3 Table 1	P S I C	Hoffman, A30N24MPP, Perf, NEMA 1 Hoffman, A30N24MP, solid, NEMA 1 Hoffman, A30P24, industrial, solid Hoffman, CP3024, Concept, solid									Cont'd Next Page	Cont'd Next Page	Cont'd Next Page
Size	3024	See Page 3, Table 2 for interior dimensions											
Layout See page 3 Table 2	HG HW VG VW DG DW EG EW QG QW	Horizontal layout "H" w/ grey Panduit F Series wire duct Horizontal layout "H" w/ white Panduit F Series wire duct Vertical layout "V" w/ grey Panduit F Series wire duct Vertical layout "V" w/ white Panduit F Series wire duct DIN rail layout "D" w/ grey Panduit F Series wire duct DIN rail layout "D" w/ white Panduit F Series wire duct Economy layout "E" w/ grey Panduit F Series wire duct Economy layout "E" w/ white Panduit F Series wire duct Quad layout "Q" w/ grey Panduit F series wire duct Quad layout "Q" w/ white Panduit F series wire duct											
Approvals	X U	No approval required Meets 508A Standard for UL Listed Open Control Panel											
Options See page 4	X A B C D E F G H I J K L M N O	No option selected 3 amp DIN rail mounted circuit breaker substituted for terminal "L" 5 amp DIN rail mounted circuit breaker substituted for terminal "L" 10 amp DIN rail mounted circuit breaker substituted for terminal "L" 3 amp fuse holder terminal substituted for terminal "L" w/ 250V Slo-Blo fuse 5 amp fuse holder terminal substituted for terminal "L" w/ 250V Slo-Blo fuse 10 amp fuse holder terminal substituted for terminal "L" w/ 32V Slo-Blo fuse Switching terminal block substituted for each 24VAC hot terminal block Finger-safe terminal block cover, transparent (protects entire terminal strip) 10 extra terminals mounted on 12 inch DIN rail (shipped loose w/ mntg screws) 20 extra terminals mounted on 12 inch DIN rail (shipped loose w/ mntg screws) 40 extra terminals mounted on 12 inch DIN rail (shipped loose w/ mntg screws) Solid wall wire duct to enclose 120VAC circuits – see Supplementary Spec "L" 2x4 box w/ 2 gang Cat5E cover plate and jacks – ships loose w/ screws 2x4 box w/ 4 gang Cat5E cover plate and jacks – ships loose w/ screws 5ft Cat5E cable, male/male – ships loose											
Power Control See pages 5 & 6	XX DS DD FD DL	No factory mounted disconnect or receptacle required Used for SW-1, 15 amp disconnect & single receptacle w/ 2x4 box Used for SW-1, 15 amp disconnect & duplex receptacle w/ 4x4 box Used for SW-1, 10 amp Functional Devices PSPT2RB10 w/ 4x4 box Used for SW-1, 15 amp disconnect & duplex receptacle, indicator light, 10 amp fuse w/ 4x4 box											
Control Power Transformers & Pwr Supplies See page 7 Cont'd Next Page	000 040 050 075 100 D40 D50 D75 D10	No factory mounted transformer or power supply required Labeled TX-1, TR40VA001, 40VA, 120x24VAC Labeled TX-1, TR50VA001, 50VA, 120x24VAC, w/ circuit breaker Labeled TX-1, TR75VA001, 75VA, 120x24VAC, w/ circuit breaker Labeled TX-1, TR100VA001, 100VA, 120x24VAC, w/ circuit breaker Labeled TX-1, TR40VA001, 40VA, 120x24VAC, w/ circuit breaker, DUAL HUB Labeled TX-1, TR50VA001, 50VA, 120x24VAC, w/ circuit breaker, DUAL HUB Labeled TX-1, TR75VA001, 75VA, 120x24VAC, w/ circuit breaker, DUAL HUB Labeled TX-1, TR100VA001, 100VA, 120x24VAC, w/ circuit breaker, DUAL HUB										Cont'd Next Page	Cont'd Next Page



EZ PANEL™ 3024

Model Selection Guide

Custom prefabricated subpanel assemblies

continued

Fill in the blanks to build your custom model number by selecting one Option from each Table

- Consult pages 3 thru 10 to select the Material, Layout, Power Control, and other Options that best suit your application.
- Example model number ... SUB-S-2420-HG-X-X-00-050-050

Table	Options	Model #	SUB	-	3024	-	-	-	-	-	-	-	
Control Power Transformers & Pwr Supplies See page 7	F04* F44* F47** F41* F07** F77** F71** F01* F11* I23 I26 I22 I21	TX-1, PSH40AB10, power supply, 120x24VAC, 40VA, w/ breaker & outlet TX-1/2, PSH40A40AB10, dual power supply, 120x24VAC, (2) 40VA, w/ breaker & outlet TX-1/2, PSH40A75AB10, dual power supply, 120x24VAC, 40VA/75VA, w/ breaker & outlet TX-1/2, PSH40A100AB10, dual power supply, 120x24VAC, 40VA/100VA, w/ breaker & outlet TX-1, PSH75AB10, power supply, 120x24VAC, 75VA, w/ breaker & outlet TX-1/2, PSH75A75AB10, dual power supply, 120x24VAC, (2) 75VA, w/ breaker & outlet TX-1/2, PSH75A100AB10, dual power supply, 120x24VAC, 75VA/100VA, w/ breaker & outlet TX-1, PSH100AB10, power supply, 120x24VAC, 100VA, w/ breaker & outlet TX-1/2, PSH100A100AB10, dual power supply, 120x24VAC, (2) 100VA, w/ breaker & outlet Labeled DC-1, HDR-30-24, 24 vdc power supply, 120VAC input, 30 watt, DIN mounted Labeled DC-1, HDR-60-24, 24 vdc power supply, 120VAC input, 60 watt, DIN mounted Labeled DC-1, HDR-100-24, 24 vdc power supply, 120VAC input, 100 watt, DIN mounted Labeled DC-1, NDR-120-24, 24 vdc power supply, 120VAC input, 120 watt, DIN mounted											
Field or Auxiliary Power Transformers & Pwr Supplies See page 7	000 040 050 075 100 D40 D50 D75 D10 F04* F07** F01* I23 I26 I22 I21	No factory mounted transformer or power supply required Labeled TX-2, TR40VA001, 40VA, 120x24VAC Labeled TX-2, TR50VA001, 50VA, 120x24VAC, w/ circuit breaker Labeled TX-2, TR75VA001, 75VA, 120x24VAC, w/ circuit breaker Labeled TX-2, TR100VA001, 100VA, 120x24VAC, w/ circuit breaker Labeled TX-2, TR40VA001, 40VA, 120x24VAC, w/ circuit breaker, DUAL HUB Labeled TX-2, TR50VA001, 50VA, 120x24VAC, w/ circuit breaker, DUAL HUB Labeled TX-2, TR75VA001, 75VA, 120x24VAC, w/ circuit breaker, DUAL HUB Labeled TX-2, TR100VA001, 100VA, 120x24VAC, w/ circuit breaker, DUAL HUB TX-2, PSH40AB10, power supply, 120x24VAC, 40VA, w/ breaker & outlet TX-2, PSH75AB10, power supply, 120x24VAC, 75VA, w/ breaker & outlet TX-2, PSH100AB10, power supply, 120x24VAC, 100VA, w/ breaker & outlet Labeled DC-2, HDR-30-24, 24 vdc power supply, 120VAC input, 30 watt, DIN mounted Labeled DC-2, HDR-60-24, 24 vdc power supply, 120VAC input, 60 watt, DIN mounted Labeled DC-2, HDR-100-24, 24 vdc power supply, 120VAC input, 100 watt, DIN mounted Labeled DC-2, NDR-120-24, 24 vdc power supply, 120VAC input, 120 watt, DIN mounted											
Field or Auxiliary Power Transformers & Pwr Supplies See page 7	000 040 050 075 100 D40 D50 D75 D10 I23 I26 I22 I21	No factory mounted transformer or power supply required Labeled TX-3, TR40VA001, 40VA, 120x24VAC Labeled TX-3, TR50VA001, 50VA, 120x24VAC, w/ circuit breaker Labeled TX-3, TR75VA001, 75VA, 120x24VAC, w/ circuit breaker Labeled TX-3, TR100VA001, 100VA, 120x24VAC, w/ circuit breaker Labeled TX-3, TR40VA001, 40VA, 120x24VAC, w/ circuit breaker, DUAL HUB Labeled TX-3, TR50VA001, 50VA, 120x24VAC, w/ circuit breaker, DUAL HUB Labeled TX-3, TR75VA001, 75VA, 120x24VAC, w/ circuit breaker, DUAL HUB Labeled TX-3, TR100VA001, 100VA, 120x24VAC, w/ circuit breaker, DUAL HUB Labeled DC-3, HDR-30-24, 24 vdc power supply, 120VAC input, 30 watt, DIN mounted Labeled DC-3, HDR-60-24, 24 vdc power supply, 120VAC input, 60 watt, DIN mounted Labeled DC-3, HDR-100-24, 24 vdc power supply, 120VAC input, 100 watt, DIN mounted Labeled DC-3, NDR-120-24, 24 vdc power supply, 120VAC input, 120 watt, DIN mounted											

Notes * Option is not available if separate Power Control was selected
 ** Option is not available if separate Power Control was selected OR UL Listing is required



Table	Options	Model #	SUB	_	3024	_	_	_	_	_	_	_
-------	---------	---------	-----	---	------	---	---	---	---	---	---	---

Select (1) Option and insert the letter to fill in the highlighted field / of the EZ Panel model number

MODEL SELECTION NOTES

- Note 1:** Insert the letter "X" in this field of the EZ Panel model number if no Option is required.
Note 2: All Options are available individually. If more than (1) Option is required, simply order the additional Options using the prefix "EZ-".

Example: If your panel requires a 10 amp circuit breaker... capability to isolate the 24VAC circuits... and (20) extra terminal blocks... you would order (3) items as follows:

- SUB - P - 3024 - HG - X - C - DS -100 - 100 - 100
- EZ - G
- EZ - J

Note 3: Photo Shown as typical for panels having (2) transformers

3 AMP Breaker



3 amp DIN rail mounted circuit breaker substituted for terminal "L"



*See Note 3

5 AMP Breaker



5 amp DIN rail mounted circuit breaker substituted for terminal "L"



*See Note 3

10 AMP Breaker



10 amp DIN rail mounted circuit breaker substituted for terminal "L"



*See Note 3

3 AMP Fuse Holder



3 amp fuse holder terminal with fast-blo fuse substituted for terminal "L"



*See Note 3

5 AMP Fuse Holder



5 amp fuse holder terminal with fast-blo fuse substituted for terminal "L"



*See Note 3

10 AMP Fuse Holder



10 amp fuse holder terminal with fast-blo fuse substituted for terminal "L"



*See Note 3

Isolate 24VAC Circuit



Switching terminal block substituted for each 24VAC hot terminal block



*See Note 3

Terminal Cover



Transparent finger-safe terminal block cover. Threaded nylon nuts must be removed to access terminal block.



Continued on next page



10 Extra Terminals



10 numbered terminal blocks mounted on a 12" section of DIN rail shipped loose with mtg screws (required field installation)



*See Note 3

20 Extra Terminals



20 numbered terminal blocks mounted on a 12" section of DIN rail shipped loose with mtg screws (required field installation)



*See Note 3

40 Extra Terminals



40 numbered terminal blocks mounted on a 12" section of DIN rail shipped loose with mtg screws (required field installation)



*See Note 3

Isolated 120VAC



Solid wall wire duct to isolate line voltage terminal blocks and all 120VAC circuits. See Supplementary Spec "L" on page...



*See Note 3

2 Gang Cat5E



Two gang plastic cover plate with (2) Cat5E jacks mounted on a 2x4 handi-box. Items ship loose w/ mtg screws.



*See Note 3

4 Gang Cat5E



Four gang plastic cover plate with (4) Cat5E jacks mounted on a 2x4 handi-box. Items ship loose w/ mtg screws.



*See Note 3

Cat5E Cable



5ft Cat5E, male/male cable shipped loose.



*See Note 3



EZ PANEL™ 3024

Custom prefabricated subpanel assemblies

Model Selection Guide

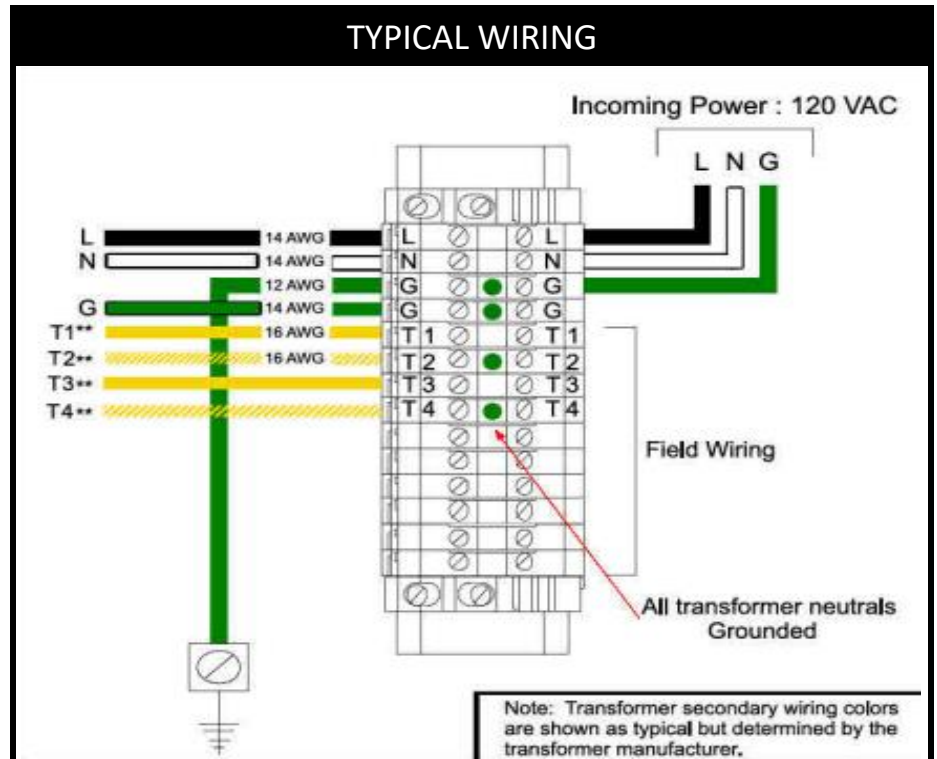
Power Control Options

Table	Options	Model #	SUB	_	3024	_	_	_	_	_	_
-------	---------	---------	-----	---	------	---	---	---	---	---	---

Select (1) Option and insert the letters to fill in the highlighted field of the EZ Panel model number

4 OPTIONS AVAILABLE

	DS
	DD
	FD
	DL



TERMINAL ASSEMBLY

Shown for (2) transformers

Bill of Materials		
COMPONENT	MANUFACTURER	PART NO.
Terminal Block	Entrelec	11511607
End Plate	Entrelec	11836816
End Stop	Entrelec	20635116
Marking Cards	Entrelec	23300001
Jumper Bar	Entrelec	17478420
Jumper Post	Entrelec	16860416
Ground Lug	IlSCO	CP-4



MODEL SELECTION NOTES

* Power control (SW-1) is optional

If no Power Control is selected, insert the letters **XX** in the highlighted field of the EZ Panel Model Number.

If no Power Control is selected, but factory mounted transformers are still required; transformers will be wired directly to the L and N terminals and will be continuously HOT when the panel is powered.

Inserting XX in this field is mandatory if Functional Devices PSH Series Combination Power Supplies are being used in lieu of standard foot mounted transformers. See below for related wiring schematics.

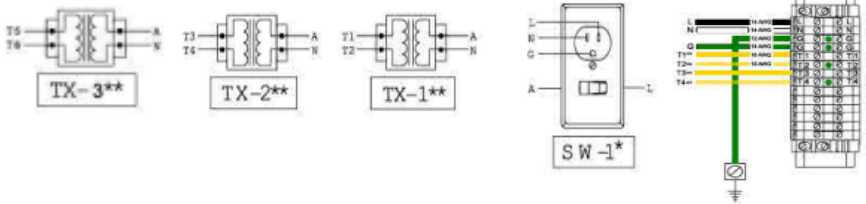
* * Transformers (TX-#) are optional

Every panel includes (14) total terminal blocks regardless of the transformer quantity chosen. If the maximum number of transformers is not selected, the unused terminals will include blank markers and will be available for other field terminations is required.

Power Control Option

15 amps
2 x 4 steel box w/ cover

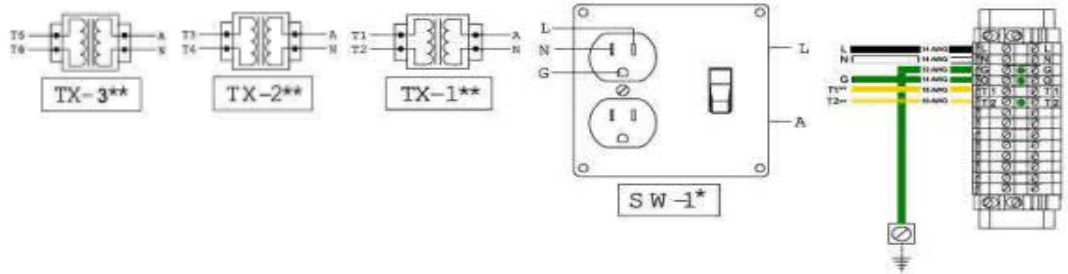
DS



Power Control Option

15 amps
4 x 4 steel box w/ cover

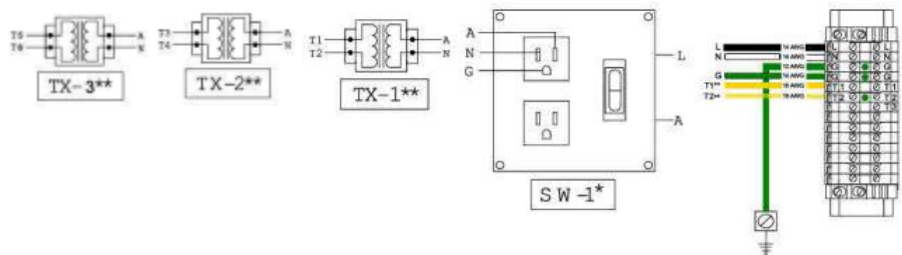
DD



Power Control Option

Functional Devices p/n:
PSPT2RB10
10 amps
4 x 4 plastic box w/ cover

FD



Internal jumper allows receptacle to be continuously controlled by the switch

See next page for more Power Control Options

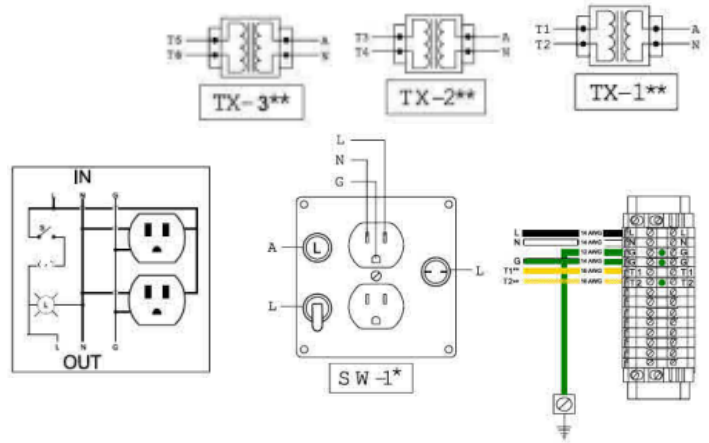


Power Control Option

DL

- 15 amp rated components
- 4 x 4 steel box w/ cover
- * Includes red indicator light
- * Includes fuse holder w/ 10 amp fuse

Supplemental internal wiring diagram for Power Control Option DL only



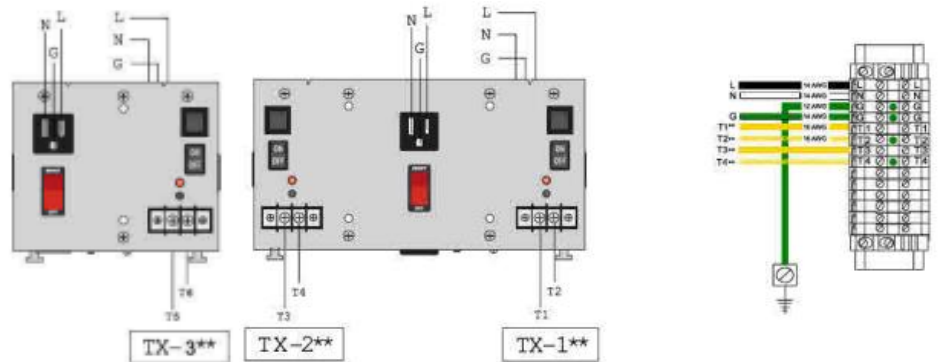
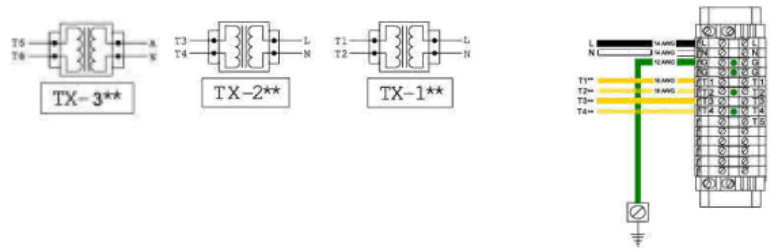
Power Control Option

XX

Valid option is no factory installed Power Control device is required for the panel. All transformers are HOT when panel is powered.

Also valid if Functional Devices PSH Series Combination Power Supplies are being used in lieu of standard foot mounted transformers.

Internal jumper allows receptacle to be continuously controlled by the switch.





EZ PANEL™ 3024

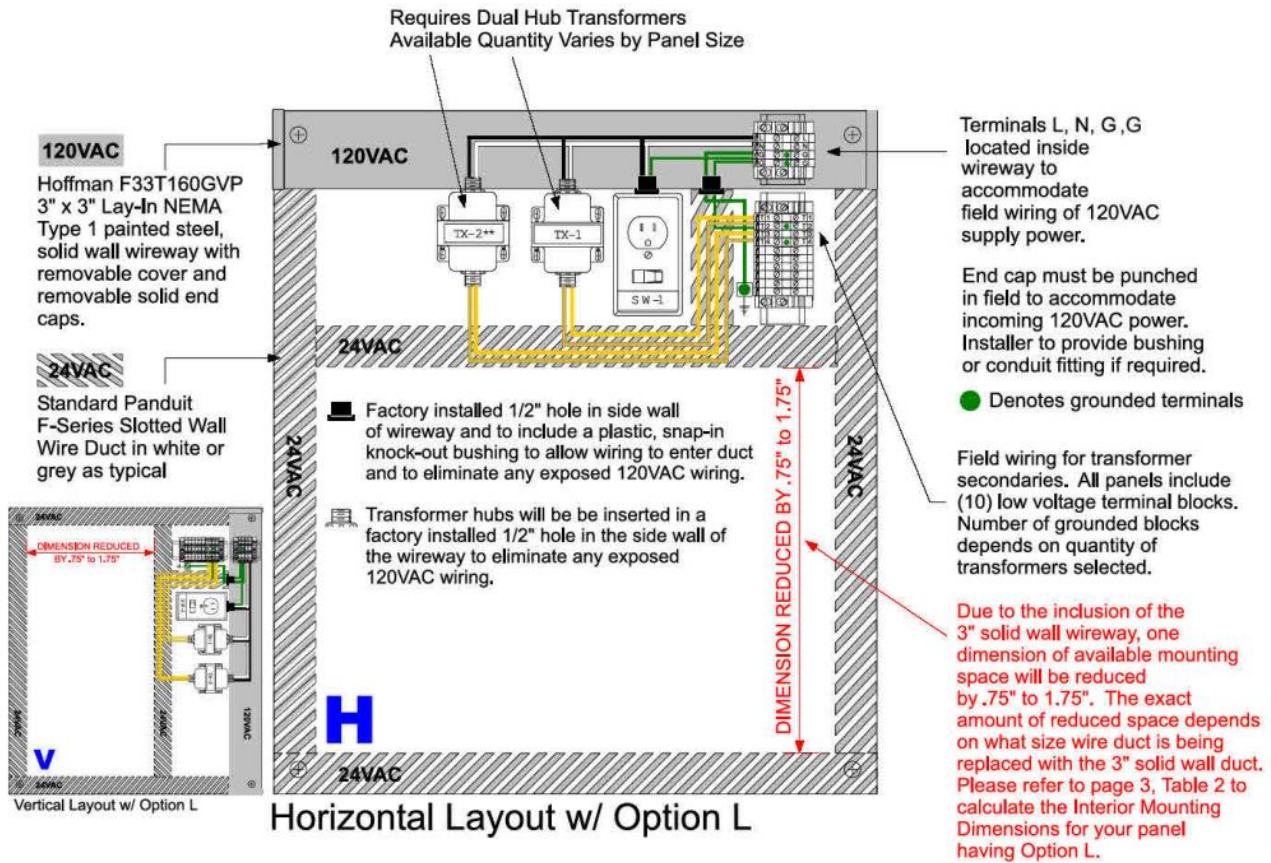
Custom prefabricated subpanel assemblies

Model Selection Guide

Option "L" Supplementary Specification

This is a supplementary specification guide and should be used in conjunction with the standard EZ Panel Model Selection Guides for each panel size offered in our product line. This document only applies to EZ Panels with "L" selected in the Options table. This design satisfies separation of circuits as well as strict panel standards which prohibit exposed 120VAC or line voltage wiring. Please note that choosing Option "L" dictates some panel choices and limits others. Specifying panels with this option reduces the standard available interior, module mounting space for all sizes and all applicable layouts. Please follow model selection instructions carefully.

Only Horizontal and Vertical layouts are shown below. However, Option "L" is available with every size and layout in the EZ Panel product line. Feature details shown on the horizontal layout are typical except that reduced interior mounting dimensions will vary depending on what size wire duct is replaced by the solid wall duct.





EZ PANEL™ 3624

Model Selection Guide

Custom prefabricated subpanel assemblies

Fill in the blanks to build your custom model number by selecting one Option from each Table

- Consult pages 3 thru 10 to select the Material, Layout, Power Control, and other Options that best suit your application.
- Example model number ... SUB-S-2420-HG-X-X-00-050-050

Table	Options	Model #	SUB	-	3624	-	-	-	-	-	-	-	
Type	SUB	Subpanel Assembly											
Material See page 3 Table 1	P S I C	Hoffman, A36N24MPP, Perf, NEMA 1 Hoffman, A36N24MP, solid, NEMA 1 Hoffman, A36P24, industrial, solid Hoffman, CP3624, Concept, solid									Cont'd Next Page	Cont'd Next Page	Cont'd Next Page
Size	3624	See Page 3, Table 2 for interior dimensions											
Layout See page 3 Table 2	HG HW VG VW DG DW EG EW	Horizontal layout "H" w/ grey Panduit F Series wire duct Horizontal layout "H" w/ white Panduit F Series wire duct Vertical layout "V" w/ grey Panduit F Series wire duct Vertical layout "V" w/ white Panduit F Series wire duct DIN rail layout "D" w/ grey Panduit F Series wire duct DIN rail layout "D" w/ white Panduit F Series wire duct Economy layout "E" w/ grey Panduit F Series wire duct Economy layout "E" w/ white Panduit F Series wire duct											
Approvals	X U	No approval required Meets 508A Standard for UL Listed Open Control Panel											
Options See page 4	X A B C D E F G H I J K L M N O	No option selected 3 amp DIN rail mounted circuit breaker substituted for terminal "L" 5 amp DIN rail mounted circuit breaker substituted for terminal "L" 10 amp DIN rail mounted circuit breaker substituted for terminal "L" 3 amp fuse holder terminal substituted for terminal "L" w/ 250V Slo-Blo fuse 5 amp fuse holder terminal substituted for terminal "L" w/ 250V Slo-Blo fuse 10 amp fuse holder terminal substituted for terminal "L" w/ 32V Slo-Blo fuse Switching terminal block substituted for each 24VAC hot terminal block Finger-safe terminal block cover, transparent (protects entire terminal strip) 10 extra terminals mounted on 12 inch DIN rail (shipped loose w/ mntg screws) 20 extra terminals mounted on 12 inch DIN rail (shipped loose w/ mntg screws) 40 extra terminals mounted on 12 inch DIN rail (shipped loose w/ mntg screws) Solid wall wire duct to enclose 120VAC circuits – see Supplementary Spec "L" 2x4 box w/ 2 gang Cat5E cover plate and jacks – ships loose w/ screws 2x4 box w/ 4 gang Cat5E cover plate and jacks – ships loose w/ screws 5ft Cat5E cable, male/male – ships loose											
Power Control See pages 5 & 6	XX DS DD FD DL	No factory mounted disconnect or receptacle required Used for SW-1, 15 amp disconnect & single receptacle w/ 2x4 box Used for SW-1, 15 amp disconnect & duplex receptacle w/ 4x4 box Used for SW-1, 10 amp Functional Devices PSPT2RB10 w/ 4x4 box Used for SW-1, 15 amp disconnect & duplex receptacle, indicator light, 10 amp fuse w/ 4x4 box											
Control Power Transformers & Pwr Supplies See page 7	000 040 050 075 100 D40 D50 D75 D10	No factory mounted transformer or power supply required Labeled TX-1, TR40VA001, 40VA, 120x24VAC Labeled TX-1, TR50VA001, 50VA, 120x24VAC, w/ circuit breaker Labeled TX-1, TR75VA001, 75VA, 120x24VAC, w/ circuit breaker Labeled TX-1, TR100VA001, 100VA, 120x24VAC, w/ circuit breaker Labeled TX-1, TR40VA001, 40VA, 120x24VAC, w/ circuit breaker, DUAL HUB Labeled TX-1, TR50VA001, 50VA, 120x24VAC, w/ circuit breaker, DUAL HUB Labeled TX-1, TR75VA001, 75VA, 120x24VAC, w/ circuit breaker, DUAL HUB Labeled TX-1, TR100VA001, 100VA, 120x24VAC, w/ circuit breaker, DUAL HUB										Cont'd Next Page	Cont'd Next Page



Fill in the blanks to build your custom model number by selecting one Option from each Table

- Consult pages 3 thru 10 to select the Material, Layout, Power Control, and other Options that best suit your application.
- Example model number ... SUB-S-2420-HG-X-X-00-050-050

Table	Options	Model #	SUB	-	3624	-	-	-	-	-	-	-	
Control Power Transformers & Pwr Supplies See page 7	F04* F44* F47** F41* F07** F77** F71** F01* F11* I23 I26 I22 I21	TX-1, PSH40AB10, power supply, 120x24VAC, 40VA, w/ breaker & outlet TX-1/2, PSH40A40AB10, dual power supply, 120x24VAC, (2) 40VA, w/ breaker & outlet TX-1/2, PSH40A75AB10, dual power supply, 120x24VAC, 40VA/75VA, w/ breaker & outlet TX-1/2, PSH40A100AB10, dual power supply, 120x24VAC, 40VA/100VA, w/ breaker & outlet TX-1, PSH75AB10, power supply, 120x24VAC, 75VA, w/ breaker & outlet TX-1/2, PSH75A75AB10, dual power supply, 120x24VAC, (2) 75VA, w/ breaker & outlet TX-1/2, PSH75A100AB10, dual power supply, 120x24VAC, 75VA/100VA, w/ breaker & outlet TX-1, PSH100AB10, power supply, 120x24VAC, 100VA, w/ breaker & outlet TX-1/2, PSH100A100AB10, dual power supply, 120x24VAC, (2) 100VA, w/ breaker & outlet Labeled DC-1, HDR-30-24, 24 vdc power supply, 120VAC input, 30 watt, DIN mounted Labeled DC-1, HDR-60-24, 24 vdc power supply, 120VAC input, 60 watt, DIN mounted Labeled DC-1, HDR-100-24, 24 vdc power supply, 120VAC input, 100 watt, DIN mounted Labeled DC-1, NDR-120-24, 24 vdc power supply, 120VAC input, 120 watt, DIN mounted											
Field or Auxiliary Power Transformers & Pwr Supplies See page 7	000 040 050 075 100 D40 D50 D75 D10 F04* F07** F01* I23 I26 I22 I21	No factory mounted transformer or power supply required Labeled TX-2, TR40VA001, 40VA, 120x24VAC Labeled TX-2, TR50VA001, 50VA, 120x24VAC, w/ circuit breaker Labeled TX-2, TR75VA001, 75VA, 120x24VAC, w/ circuit breaker Labeled TX-2, TR100VA001, 100VA, 120x24VAC, w/ circuit breaker Labeled TX-2, TR40VA001, 40VA, 120x24VAC, w/ circuit breaker, DUAL HUB Labeled TX-2, TR50VA001, 50VA, 120x24VAC, w/ circuit breaker, DUAL HUB Labeled TX-2, TR75VA001, 75VA, 120x24VAC, w/ circuit breaker, DUAL HUB Labeled TX-2, TR100VA001, 100VA, 120x24VAC, w/ circuit breaker, DUAL HUB TX-2, PSH40AB10, power supply, 120x24VAC, 40VA, w/ breaker & outlet TX-2, PSH75AB10, power supply, 120x24VAC, 75VA, w/ breaker & outlet TX-2, PSH100AB10, power supply, 120x24VAC, 100VA, w/ breaker & outlet Labeled DC-2, HDR-30-24, 24 vdc power supply, 120VAC input, 30 watt, DIN mounted Labeled DC-2, HDR-60-24, 24 vdc power supply, 120VAC input, 60 watt, DIN mounted Labeled DC-2, HDR-100-24, 24 vdc power supply, 120VAC input, 100 watt, DIN mounted Labeled DC-2, NDR-120-24, 24 vdc power supply, 120VAC input, 120 watt, DIN mounted											
Field or Auxiliary Power Transformers & Pwr Supplies See page 7	000 040 050 075 100 D40 D50 D75 D10 I23 I26 I22 I21	No factory mounted transformer or power supply required Labeled TX-3, TR40VA001, 40VA, 120x24VAC Labeled TX-3, TR50VA001, 50VA, 120x24VAC, w/ circuit breaker Labeled TX-3, TR75VA001, 75VA, 120x24VAC, w/ circuit breaker Labeled TX-3, TR100VA001, 100VA, 120x24VAC, w/ circuit breaker Labeled TX-3, TR40VA001, 40VA, 120x24VAC, w/ circuit breaker, DUAL HUB Labeled TX-3, TR50VA001, 50VA, 120x24VAC, w/ circuit breaker, DUAL HUB Labeled TX-3, TR75VA001, 75VA, 120x24VAC, w/ circuit breaker, DUAL HUB Labeled TX-3, TR100VA001, 100VA, 120x24VAC, w/ circuit breaker, DUAL HUB Labeled DC-3, HDR-30-24, 24 vdc power supply, 120VAC input, 30 watt, DIN mounted Labeled DC-3, HDR-60-24, 24 vdc power supply, 120VAC input, 60 watt, DIN mounted Labeled DC-3, HDR-100-24, 24 vdc power supply, 120VAC input, 100 watt, DIN mounted Labeled DC-3, NDR-120-24, 24 vdc power supply, 120VAC input, 120 watt, DIN mounted											

Notes * Option is not available if separate Power Control was selected
 ** Option is not available if separate Power Control was selected OR UL Listing is required

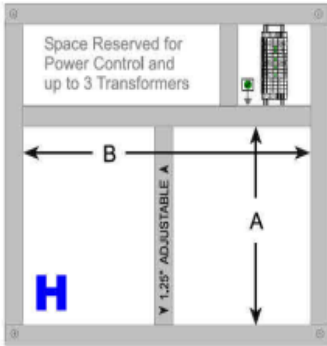


EZ PANEL™ 3624

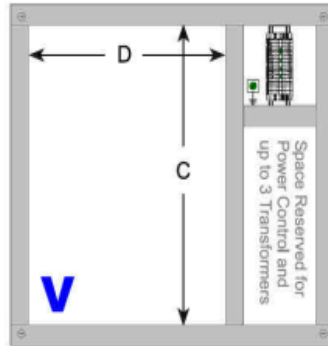
Model Selection Guide

Custom prefabricated subpanel assemblies

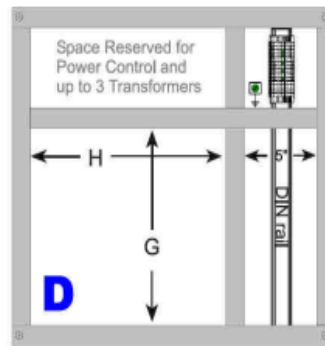
Subpanel Material and Layout Options



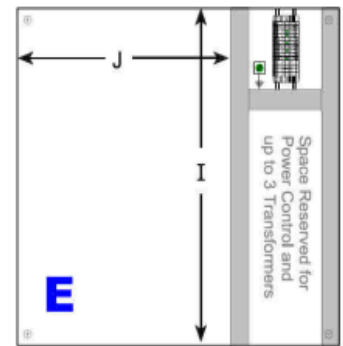
36 x 24 Horizontal Layout w/ 1.25" x 3" Wire Duct



36 x 24 Vertical Layout w/ 1.25" x 3" Wire Duct



36 x 24 DIN Rail Layout w/ 1.25" x 3" Wire Duct



36 x 24 Economy Layout w/ 1.25" x 3" Wire Duct

New Standard Feature
 "H" Layout now includes vertical section of wire duct shipped loose w/ mounting screws.
 Provides greater flexibility and neater wiring for field installed components.

INSTRUCTIONS: Use Table 1 to select a subpanel that is compatible with your enclosure and NEMA rating. Insert the blue letter for Material Selection in the first highlighted field. Use the interior mounting dimensions in Table 2 to determine which Layout Configuration provides ample space to field mount and wire your components. Choose the blue letter for the appropriate layout drawing and insert this as the first character in the second highlighted field. The second character in this field will indicate wire duct color... "G" for grey or "W" for white.

Table	Options	Model #	SUB	3624						
-------	---------	---------	-----	------	--	--	--	--	--	--

Material Selection from Table 1

Layout Config from Table 2 and Wire Duct Color

Table 1

Material Selection	Brand	Material	Color	Mfr Part #	Fits Enclosure	NEMA Rating
P	Hoffman	Perforated	grey	A36N24MPP	A36N24xxx	1
S	Hoffman	Solid	white	A36N24MP	A36N24xxx	1
I	Hoffman	Solid	white	A36P24	Consult Hoffman	3R, 4, 12/13
C	Hoffman	solid	white	CP3624	CSD3624xx	4, 12

Table 2

Material Selection	Interior Mounting Dimensions in Inches							
	H – Horizontal Layout		V – Vertical Layout		D – DIN Rail Layout		E – Economy Layout	
	A	B	C	D	E	F	G	H
P	23 -1/4 "	20"	29 -1/2"	13 -3/4 "	23 -1/4 "	13 -3/4 "	32"	15"
S	23 -1/4 "	20"	29 -1/2"	13 -3/4 "	23 -1/4 "	13 -3/4 "	32"	15"
I	24 -1/4 "	18 -1/2"	30 -1/2"	12 -1/4 "	24 -1/4 "	12 -1/4 "	33"	13 -1/2"
C	25 -5/8 "	19 -5/8"	31 -5/8"	13 -3/8 "	25 -5/8 "	13 -3/8"	34 -3/16 "	14 -5/8"



Table	Options	Model #	SUB	_	3624	_	_	_	_	_	_	_
-------	---------	---------	-----	---	------	---	---	---	---	---	---	---

Select (1) Option and insert the letter to fill in the highlighted field / of the EZ Panel model number

MODEL SELECTION NOTES

- Note 1:** Insert the letter "X" in this field of the EZ Panel model number if no Option is required.
Note 2: All Options are available individually. If more than (1) Option is required, simply order the additional Options using the prefix "EZ-".

Example: If your panel requires a 10 amp circuit breaker... capability to isolate the 24VAC circuits... and (20) extra terminal blocks... you would order (3) items as follows:

- SUB - P - 3624 - HG - X - C - DS -100 - 100 - 100
- EZ - G
- EZ - J

Note 3: Photo Shown as typical for panels having (2) transformers

3 AMP Breaker



3 amp DIN rail mounted circuit breaker substituted for terminal "L"



*See Note 3

5 AMP Breaker



5 amp DIN rail mounted circuit breaker substituted for terminal "L"



*See Note 3

10 AMP Breaker



10 amp DIN rail mounted circuit breaker substituted for terminal "L"



*See Note 3

3 AMP Fuse Holder



3 amp fuse holder terminal with fast-blo fuse substituted for terminal "L"



*See Note 3

5 AMP Fuse Holder



5 amp fuse holder terminal with fast-blo fuse substituted for terminal "L"



*See Note 3

10 AMP Fuse Holder



10 amp fuse holder terminal with fast-blo fuse substituted for terminal "L"



*See Note 3

Isolate 24VAC Circuit



Switching terminal block substituted for each 24VAC hot terminal block



*See Note 3

Terminal Cover



Transparent finger-safe terminal block cover. Threaded nylon nuts must be removed to access terminal block.



Continued on next page



10 Extra Terminals



10 numbered terminal blocks mounted on a 12" section of DIN rail shipped loose with mtg screws (required field installation)



*See Note 3

20 Extra Terminals



20 numbered terminal blocks mounted on a 12" section of DIN rail shipped loose with mtg screws (required field installation)



*See Note 3

40 Extra Terminals



40 numbered terminal blocks mounted on a 12" section of DIN rail shipped loose with mtg screws (required field installation)



*See Note 3

Isolated 120VAC



Solid wall wire duct to isolate line voltage terminal blocks and all 120VAC circuits. See Supplementary Spec "L" on page...



*See Note 3

2 Gang Cat5E



Two gang plastic cover plate with (2) Cat5E jacks mounted on a 2x4 handi-box. Items ship loose w/ mtg screws.



*See Note 3

4 Gang Cat5E



Four gang plastic cover plate with (4) Cat5E jacks mounted on a 2x4 handi-box. Items ship loose w/ mtg screws.



*See Note 3

Cat5E Cable



5ft Cat5E, male/male cable shipped loose.



*See Note 3



EZ PANEL™ 3624

Model Selection Guide

Custom prefabricated subpanel assemblies

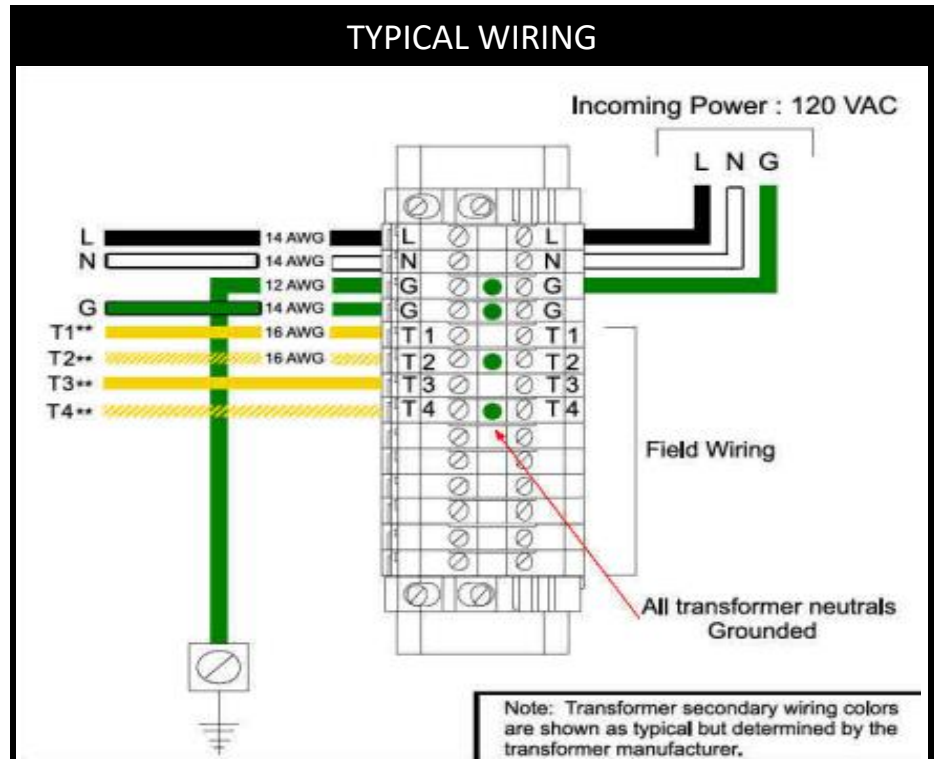
Power Control Options

Table	Options	Model #	SUB	_	3624	_	_	_	_	_	_
-------	---------	---------	-----	---	------	---	---	---	---	---	---

Select (1) Option and insert the letters to fill in the highlighted field of the EZ Panel model number

4 OPTIONS AVAILABLE

	DS
	DD
	FD
	DL



TERMINAL ASSEMBLY

Shown for (2) transformers

Bill of Materials		
COMPONENT	MANUFACTURER	PART NO.
Terminal Block	Entelec	11511607
End Plate	Entelec	11836816
End Stop	Entelec	20635116
Marking Cards	Entelec	23300001
Jumper Bar	Entelec	17478420
Jumper Post	Entelec	16860416
Ground Lug	IlSCO	CP-4



MODEL SELECTION NOTES

* Power control (SW-1) is optional

If no Power Control is selected, insert the letters **XX** in the highlighted field of the EZ Panel Model Number.

If no Power Control is selected, but factory mounted transformers are still required; transformers will be wired directly to the L and N terminals and will be continuously HOT when the panel is powered.

Inserting XX in this field is mandatory if Functional Devices PSH Series Combination Power Supplies are being used in lieu of standard foot mounted transformers. See below for related wiring schematics.

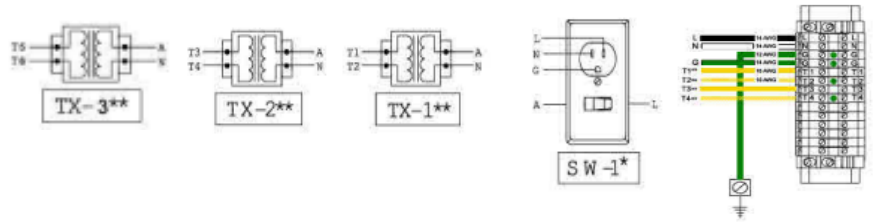
* * Transformers (TX-#) are optional

Every panel includes (14) total terminal blocks regardless of the transformer quantity chosen. If the maximum number of transformers is not selected, the unused terminals will include blank markers and will be available for other field terminations is required.

Power Control Option

15 amps
2 x 4 steel box w/ cover

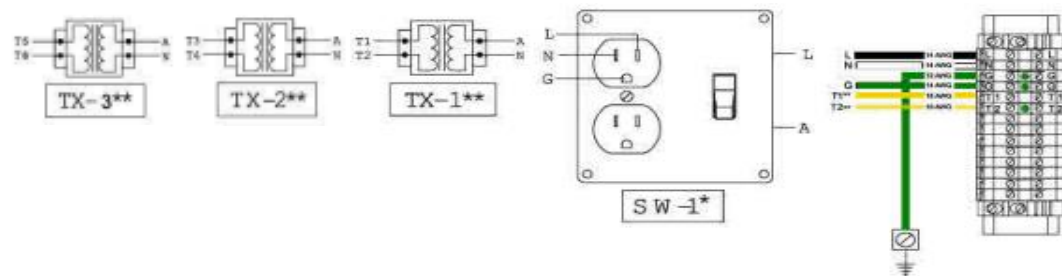
DS



Power Control Option

15 amps
4 x 4 steel box w/ cover

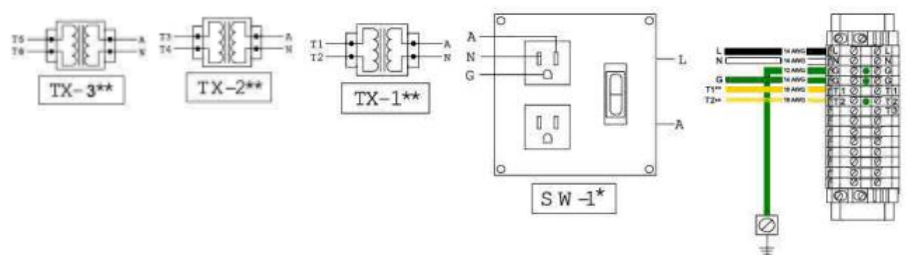
DD



Power Control Option

Functional Devices p/n:
PSPT2RB10
10 amps
4 x 4 plastic box w/ cover

FD



Internal jumper allows receptacle to be continuously controlled by the switch

See next page for more Power Control Options

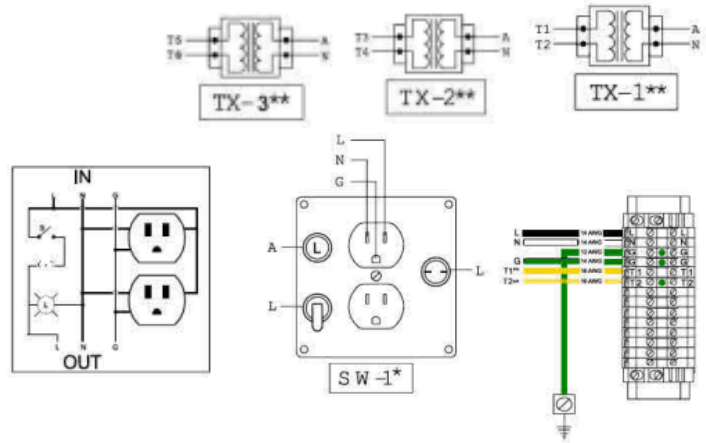


Power Control Option

DL

- 15 amp rated components
- 4 x 4 steel box w/ cover
- * Includes red indicator light
- * Includes fuse holder w/ 10 amp fuse

Supplemental internal wiring diagram for Power Control Option DL only



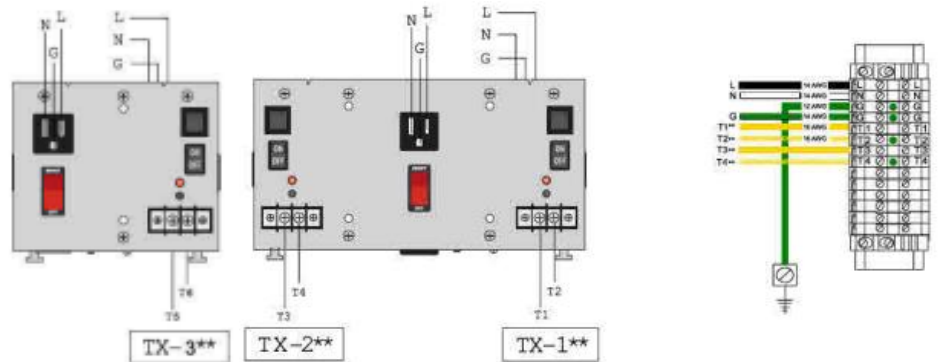
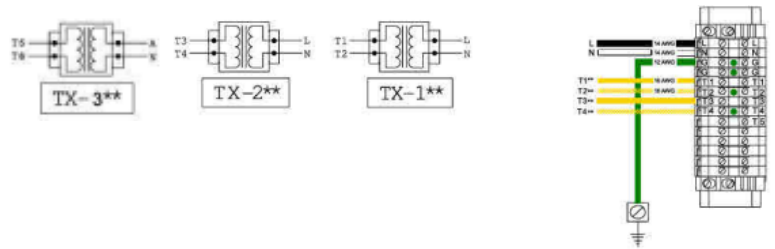
Power Control Option

XX

Valid option is no factory installed Power Control device is required for the panel. All transformers are HOT when panel is powered.

Also valid if Functional Devices PSH Series Combination Power Supplies are being used in lieu of standard foot mounted transformers.

Internal jumper allows receptacle to be continuously controlled by the switch.





EZ PANEL™ 3624

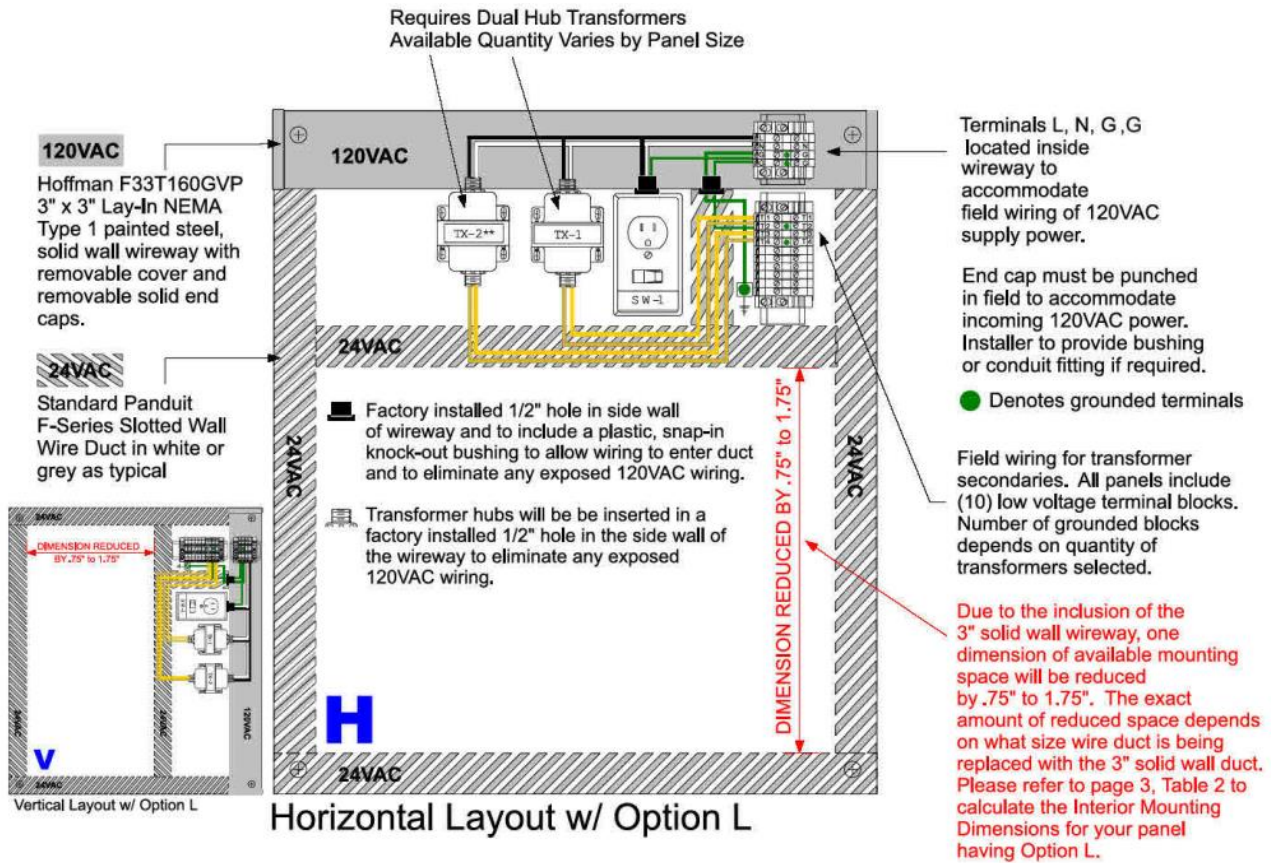
Custom prefabricated subpanel assemblies

Model Selection Guide

Option "L" Supplementary Specification

This is a supplementary specification guide and should be used in conjunction with the standard EZ Panel Model Selection Guides for each panel size offered in our product line. This document only applies to EZ Panels with "L" selected in the Options table. This design satisfies separation of circuits as well as strict panel standards which prohibit exposed 120VAC or line voltage wiring. Please note that choosing Option "L" dictates some panel choices and limits others. Specifying panels with this option reduces the standard available interior, module mounting space for all sizes and all applicable layouts. Please follow model selection instructions carefully.

Only Horizontal and Vertical layouts are shown below. However, Option "L" is available with every size and layout in the EZ Panel product line. Feature details shown on the horizontal layout are typical except that reduced interior mounting dimensions will vary depending on what size wire duct is replaced by the solid wall duct.





EZ PANEL™ 3630

Model Selection Guide

Custom prefabricated subpanel assemblies

Fill in the blanks to build your custom model number by selecting one Option from each Table															
<ul style="list-style-type: none"> ○ Consult pages 4 thru 11 to select the Material, Layout, Power Control, and other Options that best suit your application. ○ Example model number ... SUB-5-2420-HG-X-X-00-050-050 															
Table	Options	Model #	SUB	—	3630	—	—	—	—	—	—	—	—		
Type	SUB	Subpanel Assembly										Cont'd Next Page	Cont'd Next Page	Cont'd Next Page	Cont'd Next Page
Material See page 3 Table 1	P S I C	Hoffman, A36N30MPP, Perf, NEMA 1 Hoffman, A36N30MP, solid, NEMA 1 Hoffman, A36P30, industrial, solid Hoffman, CP3630, Concept, solid													
Size	3630	See Page 3, Table 2 for interior dimensions													
Layout See page 3 Table 2	HG HW VG VW DG DW EG EW	Horizontal layout "H" w/ grey Panduit F Series wire duct Horizontal layout "H" w/ white Panduit F Series wire duct Vertical layout "V" w/ grey Panduit F Series wire duct Vertical layout "V" w/ white Panduit F Series wire duct DIN rail layout "D" w/ grey Panduit F Series wire duct DIN rail layout "D" w/ white Panduit F Series wire duct Economy layout "E" w/ grey Panduit F Series wire duct Economy layout "E" w/ white Panduit F Series wire duct													
Approvals	X U	No approval required Meets 508A Standard for UL Listed Open Control Panel													
Options See page 4	X A B C D E F G H I J K L M N O	No option selected 3 amp DIN rail mounted circuit breaker substituted for terminal "L" 5 amp DIN rail mounted circuit breaker substituted for terminal "L" 10 amp DIN rail mounted circuit breaker substituted for terminal "L" 3 amp fuse holder terminal substituted for terminal "L" w/ 250V Slo-Blo fuse 5 amp fuse holder terminal substituted for terminal "L" w/ 250V Slo-Blo fuse 10 amp fuse holder terminal substituted for terminal "L" w/ 32V Slo-Blo fuse Switching terminal block substituted for each 24VAC hot terminal block Finger-safe terminal block cover, transparent (protects entire terminal strip) 10 extra terminals mounted on 12 inch DIN rail (shipped loose w/ mntg screws) 20 extra terminals mounted on 12 inch DIN rail (shipped loose w/ mntg screws) 40 extra terminals mounted on 12 inch DIN rail (shipped loose w/ mntg screws) Solid wall wire duct to enclose 120VAC circuits – see Supplementary Spec "L" 2x4 box w/ 2 gang Cat5E cover plate and jacks – ships loose w/ screws 2x4 box w/ 4 gang Cat5E cover plate and jacks – ships loose w/ screws 5ft Cat5E cable, male/male – ships loose													
Power Control See pages 5 & 6	XX DS DD FD DL	No factory mounted disconnect or receptacle required Used for SW-1, 15 amp disconnect & single receptacle w/ 2x4 box Used for SW-1, 15 amp disconnect & duplex receptacle w/ 4x4 box Used for SW-1, 10 amp Functional Devices PSPT2RB10 w/ 4x4 box Used for SW-1, 15 amp disconnect & duplex receptacle, indicator light, 10 amp fuse w/ 4x4 box													
Control Power Transformers & Pwr Supplies See page 7	000 040 050 075 100 D40 D50 D75 D10	No factory mounted transformer or power supply required Labeled TX-1, TR40VA001, 40VA, 120x24VAC Labeled TX-1, TR50VA001, 50VA, 120x24VAC, w/ circuit breaker Labeled TX-1, TR75VA001, 75VA, 120x24VAC, w/ circuit breaker Labeled TX-1, TR100VA001, 100VA, 120x24VAC, w/ circuit breaker Labeled TX-1, TR40VA001, 40VA, 120x24VAC, w/ circuit breaker, DUAL HUB Labeled TX-1, TR50VA001, 50VA, 120x24VAC, w/ circuit breaker, DUAL HUB Labeled TX-1, TR75VA001, 75VA, 120x24VAC, w/ circuit breaker, DUAL HUB Labeled TX-1, TR100VA001, 100VA, 120x24VAC, w/ circuit breaker, DUAL HUB													
Cont'd Next Page												Cont'd Next Page	Cont'd Next Page	Cont'd Next Page	



Fill in the blanks to build your custom model number by selecting one Option from each Table												
<ul style="list-style-type: none"> ○ Consult pages 4 thru 11 to select the Material, Layout, Power Control, and other Options that best suit your application. ○ Example model number ... SUB-S-2420-HG-X-X-00-050-050 												
Table	Options	Model #	SUB	-	3630	--	-	-	--	---	---	---
Control Power Transformers & Pwr Supplies <small>See page 7</small>	F04* F44* F47** F41* F07** F77** F71** F01* F11* I23 I26 I22 I21	TX-1, PSH40AB10, power supply, 120x24VAC, 40VA, w/ breaker & outlet TX-1/2, PSH40A40AB10, dual power supply, 120x24VAC, (2) 40VA, w/ breaker & outlet TX-1/2, PSH40A75AB10, dual power supply, 120x24VAC, 40VA/75VA, w/ breaker & outlet TX-1/2, PSH40A100AB10, dual power supply, 120x24VAC, 40VA/100VA, w/ breaker & outlet TX-1, PSH75AB10, power supply, 120x24VAC, 75VA, w/ breaker & outlet TX-1/2, PSH75A75AB10, dual power supply, 120x24VAC, (2) 75VA, w/ breaker & outlet TX-1/2, PSH75A100AB10, dual power supply, 120x24VAC, 75VA/100VA, w/ breaker & outlet TX-1, PSH100AB10, power supply, 120x24VAC, 100VA, w/ breaker & outlet TX-1/2, PSH100A100AB10, dual power supply, 120x24VAC, (2) 100VA, w/ breaker & outlet Labeled DC-1, HDR-30-24, 24 vdc power supply, 120VAC input, 30 watt, DIN mounted Labeled DC-1, HDR-60-24, 24 vdc power supply, 120VAC input, 60 watt, DIN mounted Labeled DC-1, HDR-100-24, 24 vdc power supply, 120VAC input, 100 watt, DIN mounted Labeled DC-1, NDR-120-24, 24 vdc power supply, 120VAC input, 120 watt, DIN mounted									Cont'd Next Page	Cont'd Next Page
Field or Auxiliary Power Transformers & Pwr Supplies <small>See page 7</small>	000 040 050 075 100 D40 D50 D75 D10 F04* F44* F47** F41* F07** F77** F01* F11* I23 I26 I22 I21	No factory mounted transformer or power supply required Labeled TX-2, TR40VA001, 40VA, 120x24VAC Labeled TX-2, TR50VA001, 50VA, 120x24VAC, w/ circuit breaker Labeled TX-2, TR75VA001, 75VA, 120x24VAC, w/ circuit breaker Labeled TX-2, TR100VA001, 100VA, 120x24VAC, w/ circuit breaker Labeled TX-2, TR40VA001, 40VA, 120x24VAC, w/ circuit breaker, DUAL HUB Labeled TX-2, TR50VA001, 50VA, 120x24VAC, w/ circuit breaker, DUAL HUB Labeled TX-2, TR75VA001, 75VA, 120x24VAC, w/ circuit breaker, DUAL HUB Labeled TX-2, TR100VA001, 100VA, 120x24VAC, w/ circuit breaker, DUAL HUB TX-2, PSH40AB10, power supply, 120x24VAC, 40VA, w/ breaker & outlet TX-2/3, PSH40A40AB10, dual power supply, 120x24VAC, (2) 40VA, w/ breaker & outlet TX-2/3, PSH40A75AB10, dual power supply, 120x24VAC, 40VA/75VA, w/ breaker & outlet TX-2/3, PSH40A100AB10, dual power supply, 120x24VAC, 40VA/100VA, w/ breaker & outlet TX-2, PSH75AB10, power supply, 120x24VAC, 75VA, w/ breaker & outlet TX-2/3, PSH75A75AB10, dual power supply, 120x24VAC, (2) 75VA, w/ breaker & outlet TX-2, PSH100AB10, power supply, 120x24VAC, 100VA, w/ breaker & outlet TX-2/3, PSH100A100AB10, dual power supply, 120x24VAC, (2) 100VA, w/ breaker & outlet Labeled DC-2, HDR-30-24, 24 vdc power supply, 120VAC input, 30 watt, DIN mounted Labeled DC-2, HDR-60-24, 24 vdc power supply, 120VAC input, 60 watt, DIN mounted Labeled DC-2, HDR-100-24, 24 vdc power supply, 120VAC input, 100 watt, DIN mounted Labeled DC-2, NDR-120-24, 24 vdc power supply, 120VAC input, 120 watt, DIN mounted									Cont'd Next Page	Cont'd Next Page

Notes

- * Option is not available if separate Power Control was selected
- ** Option is not available if separate Power Control was selected OR UL Listing is required



Fill in the blanks to build your custom model number by selecting one Option from each Table

- Consult pages 4 thru 11 to select the Material, Layout, Power Control, and other Options that best suit your application.
- Example model number ... SUB-S-2420-HG-X-X-00-050-050

Table	Options	Model #	SUB	-	3630	--	-	-	--	---	---	---	---
Field or Auxiliary Power Transformers & Pwr Supplies See page 7	000 040 050 075 100 D40 D50 D75 D10 I23 I26 I22 I21	No factory mounted transformer or power supply required Labeled TX-3, TR40VA001, 40VA, 120x24VAC Labeled TX-3, TR50VA001, 50VA, 120x24VAC, w/ circuit breaker Labeled TX-3, TR75VA001, 75VA, 120x24VAC, w/ circuit breaker Labeled TX-3, TR100VA001, 100VA, 120x24VAC, w/ circuit breaker Labeled TX-3, TR40VA001, 40VA, 120x24VAC, w/ circuit breaker, DUAL HUB Labeled TX-3, TR50VA001, 50VA, 120x24VAC, w/ circuit breaker, DUAL HUB Labeled TX-3, TR75VA001, 75VA, 120x24VAC, w/ circuit breaker, DUAL HUB Labeled TX-3, TR100VA001, 100VA, 120x24VAC, w/ circuit breaker, DUAL HUB Labeled DC-3, HDR-30-24, 24 vdc power supply, 120VAC input, 30 watt, DIN mounted Labeled DC-3, HDR-60-24, 24 vdc power supply, 120VAC input, 60 watt, DIN mounted Labeled DC-3, HDR-100-24, 24 vdc power supply, 120VAC input, 100 watt, DIN mounted Labeled DC-3, NDR-120-24, 24 vdc power supply, 120VAC input, 120 watt, DIN mounted											
Field or Auxiliary Power Transformers & Pwr Supplies See page 7	000 040 050 075 100 D40 D50 D75 D10 I23 I26 I22 I21	No factory mounted transformer or power supply required Labeled TX-4, TR40VA001, 40VA, 120x24VAC Labeled TX-4, TR50VA001, 50VA, 120x24VAC, w/ circuit breaker Labeled TX-4, TR75VA001, 75VA, 120x24VAC, w/ circuit breaker Labeled TX-4, TR100VA001, 100VA, 120x24VAC, w/ circuit breaker Labeled TX-4, TR40VA001, 40VA, 120x24VAC, w/ circuit breaker, DUAL HUB Labeled TX-4, TR50VA001, 50VA, 120x24VAC, w/ circuit breaker, DUAL HUB Labeled TX-4, TR75VA001, 75VA, 120x24VAC, w/ circuit breaker, DUAL HUB Labeled TX-4, TR100VA001, 100VA, 120x24VAC, w/ circuit breaker, DUAL HUB Labeled DC-4, HDR-30-24, 24 vdc power supply, 120VAC input, 30 watt, DIN mounted Labeled DC-4, HDR-60-24, 24 vdc power supply, 120VAC input, 60 watt, DIN mounted Labeled DC-4, HDR-100-24, 24 vdc power supply, 120VAC input, 100 watt, DIN mounted Labeled DC-4, NDR-120-24, 24 vdc power supply, 120VAC input, 120 watt, DIN mounted											



Table	Options	Model #	SUB	_	3630	_	_	_____	_____	_____	_____	_____
-------	---------	---------	-----	---	------	---	---	-------	-------	-------	-------	-------

Select (1) Option and insert the letter to fill in the highlighted field / of the EZ Panel model number

MODEL SELECTION NOTES

- Note 1:** Insert the letter "X" in this field of the EZ Panel model number if no Option is required.
- Note 2:** All Options are available individually. If more than (1) Option is required, simply order the additional Options using the prefix "EZ-".

Example: If your panel requires a 10 amp circuit breaker... capability to isolate the 24VAC circuits... and (20) extra terminal blocks... you would order (3) items as follows:

- SUB - P - 3630 - HG - X - C - DS -100 - 100 - 100 - 100
- EZ - G
- EZ - J

Note 3: Photo Shown as typical for panels having (2) transformers

3 AMP Breaker



3 amp DIN rail mounted circuit breaker substituted for terminal "L"



*See Note 3

5 AMP Breaker



5 amp DIN rail mounted circuit breaker substituted for terminal "L"



*See Note 3

10 AMP Breaker



10 amp DIN rail mounted circuit breaker substituted for terminal "L"



*See Note 3

3 AMP Fuse Holder



3 amp fuse holder terminal with fast-blo fuse substituted for terminal "L"



*See Note 3

5 AMP Fuse Holder



5 amp fuse holder terminal with fast-blo fuse substituted for terminal "L"



*See Note 3

10 AMP Fuse Holder



10 amp fuse holder terminal with fast-blo fuse substituted for terminal "L"



*See Note 3

Isolate 24VAC Circuit



Switching terminal block substituted for each 24VAC hot terminal block



*See Note 3

Terminal Cover



Transparent finger-safe terminal block cover. Threaded nylon nuts must be removed to access terminal block.



Continued on next page



10 Extra Terminals



10 numbered terminal blocks mounted on a 12" section of DIN rail shipped loose with mtg screws (required field installation)



*See Note 3

20 Extra Terminals



20 numbered terminal blocks mounted on a 12" section of DIN rail shipped loose with mtg screws (required field installation)



*See Note 3

40 Extra Terminals



40 numbered terminal blocks mounted on a 12" section of DIN rail shipped loose with mtg screws (required field installation)



*See Note 3

Isolated 120VAC



Solid wall wire duct to isolate line voltage terminal blocks and all 120VAC circuits. See Supplementary Spec "L" on page...



*See Note 3

2 Gang Cat5E



Two gang plastic cover plate with (2) Cat5E jacks mounted on a 2x4 handi-box. Items ship loose w/ mtg screws.



*See Note 3

4 Gang Cat5E



Four gang plastic cover plate with (4) Cat5E jacks mounted on a 2x4 handi-box. Items ship loose w/ mtg screws.



*See Note 3

Cat5E Cable



5ft Cat5E, male/male cable shipped loose.



*See Note 3



EZ PANEL™ 3630

Custom prefabricated subpanel assemblies

Model Selection Guide

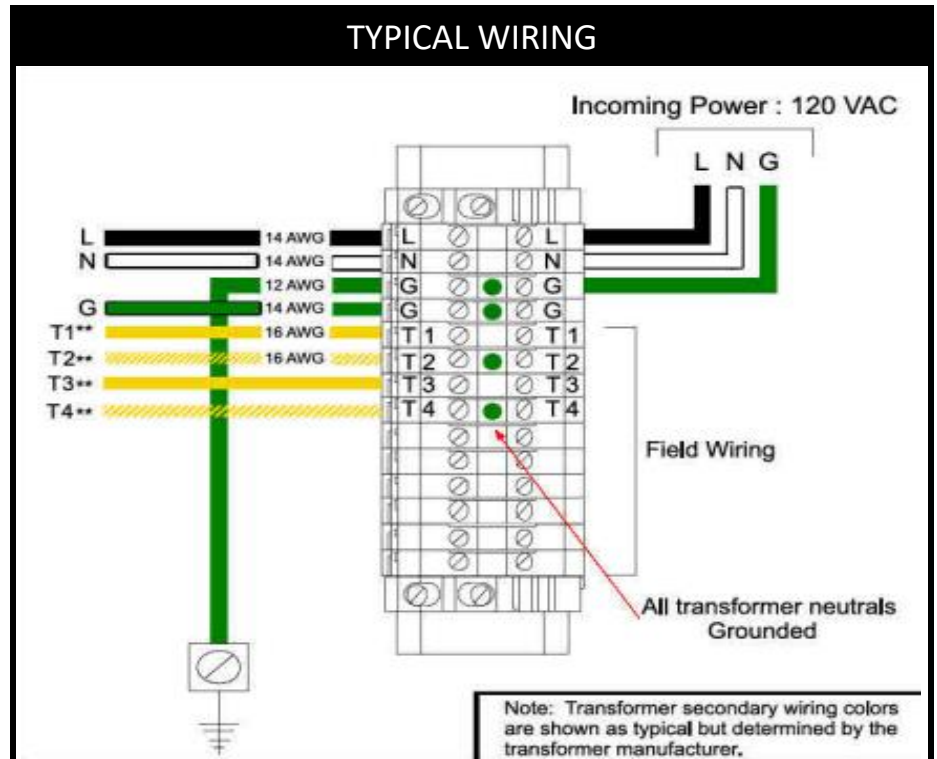
Power Control Options

Table	Options	Model #	SUB	_	3630	_	_	_	_	_	_	_
-------	---------	---------	-----	---	------	---	---	---	---	---	---	---

Select (1) Option and insert the letters to fill in the highlighted field of the EZ Panel model number

4 OPTIONS AVAILABLE

	DS
	DD
	FD
	DL



TERMINAL ASSEMBLY

Shown for (2) transformers

Bill of Materials		
COMPONENT	MANUFACTURER	PART NO.
Terminal Block	Entelec	11511607
End Plate	Entelec	11836816
End Stop	Entelec	20635116
Marking Cards	Entelec	23300001
Jumper Bar	Entelec	17478420
Jumper Post	Entelec	16860416
Ground Lug	IlSCO	CP-4



MODEL SELECTION NOTES

* Power control (SW-1) is optional

If no Power Control is selected, insert the letters **XX** in the highlighted field of the EZ Panel Model Number.

If no Power Control is selected, but factory mounted transformers are still required; transformers will be wired directly to the L and N terminals and will be continuously HOT when the panel is powered.

Inserting XX in this field is mandatory if Functional Devices PSH Series Combination Power Supplies are being used in lieu of standard foot mounted transformers. See below for related wiring schematics.

* * Transformers (TX-#) are optional

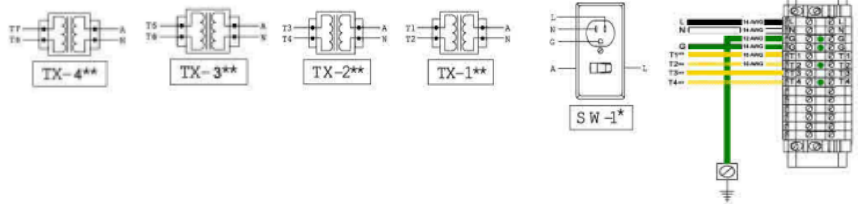
Every panel includes (14) total terminal blocks regardless of the transformer quantity chosen. If the maximum number of transformers is not selected, the unused terminals will include blank markers and will be available for other field terminations is required.

Power Control Option

15 amps

2 x 4 steel box w/ cover

DS

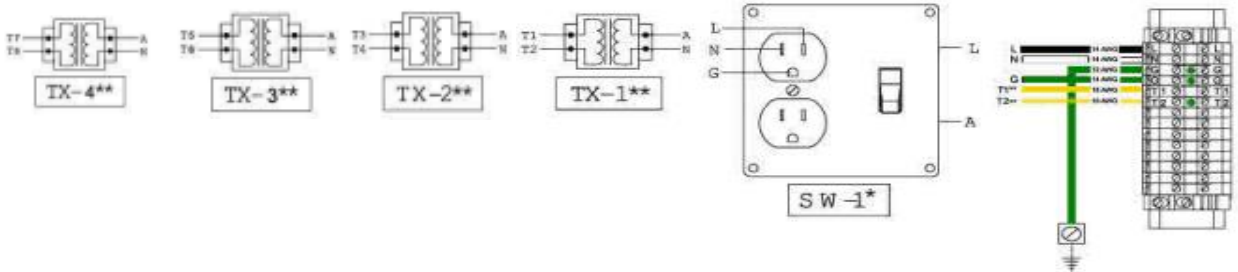


Power Control Option

15 amps

4 x 4 steel box w/ cover

DD



Power Control Option

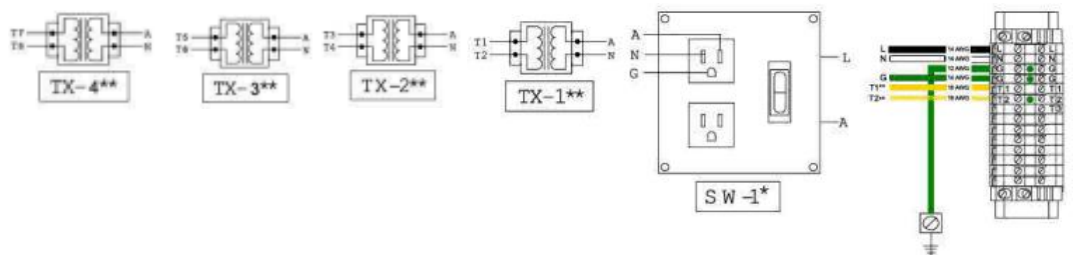
Functional Devices p/n:

PSPT2RB10

10 amps

4 x 4 plastic box w/ cover

FD



Internal jumper allows receptacle to be continuously controlled by the switch

See next page for more Power Control Options

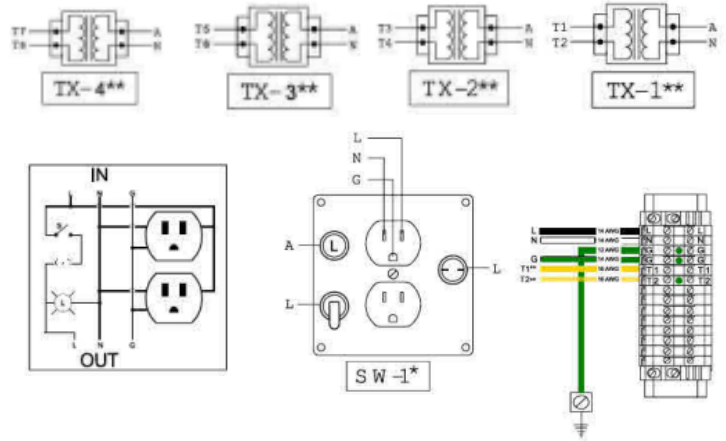


Power Control Option

DL

- 15 amp rated components
- 4 x 4 steel box w/ cover
- * Includes red indicator light
- * Includes fuse holder w/ 10 amp fuse

Supplemental internal wiring diagram for Power Control Option DL only



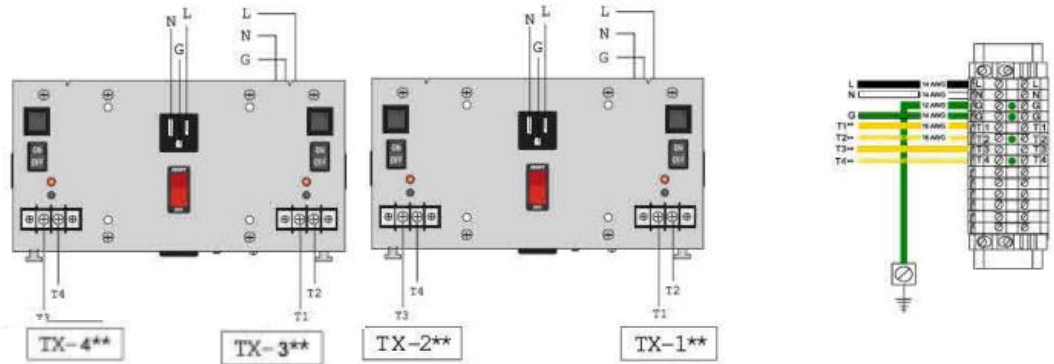
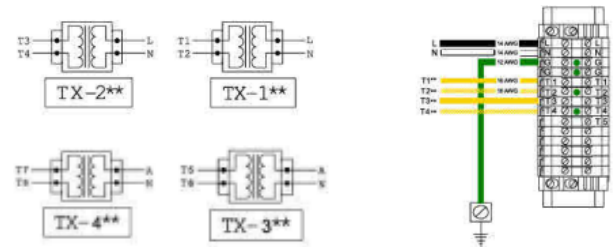
Power Control Option

XX

Valid option is no factory installed Power Control device is required for the panel. All transformers are HOT when panel is powered.

Also valid if Functional Devices PSH Series Combination Power Supplies are being used in lieu of standard foot mounted transformers.

Internal jumper allows receptacle to be continuously controlled by the switch.





EZ PANEL™ 3630

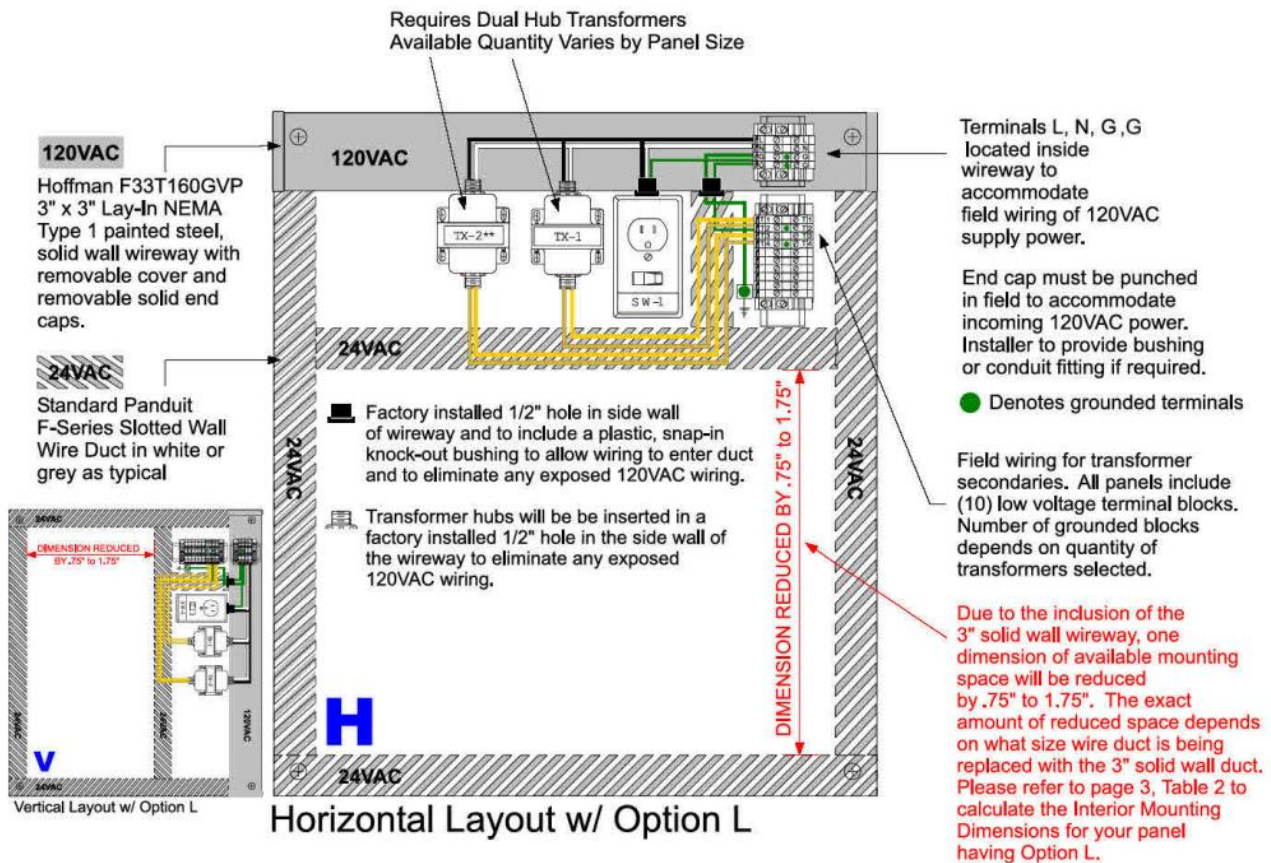
Custom prefabricated subpanel assemblies

Model Selection Guide

Option "L" Supplementary Specification

This is a supplementary specification guide and should be used in conjunction with the standard EZ Panel Model Selection Guides for each panel size offered in our product line. This document only applies to EZ Panels with "L" selected in the Options table. This design satisfies separation of circuits as well as strict panel standards which prohibit exposed 120VAC or line voltage wiring. Please note that choosing Option "L" dictates some panel choices and limits others. Specifying panels with this option reduces the standard available interior, module mounting space for all sizes and all applicable layouts. Please follow model selection instructions carefully.

Only Horizontal and Vertical layouts are shown below. However, Option "L" is available with every size and layout in the EZ Panel product line. Feature details shown on the horizontal layout are typical except that reduced interior mounting dimensions will vary depending on what size wire duct is replaced by the solid wall duct.





EZ PANEL™ 4230

Model Selection Guide

Custom prefabricated subpanel assemblies

Fill in the blanks to build your custom model number by selecting one Option from each Table													
<ul style="list-style-type: none"> Consult pages 4 thru 11 to select the Material, Layout, Power Control, and other Options that best suit your application. Example model number ... SUB-S-2420-HG-X-X-00-050-050 													
Table	Options	Model #	SUB	-	4230	-	-	-	-	-	-	-	-
Type	SUB	Subpanel Assembly											Cont'd Next Page
Material See page 3 Table 1	I C	Hoffman, A42P30, industrial, solid Hoffman, CP4230, Concept, solid											Cont'd Next Page
Size	4230	See Page 3, Table 2 for interior dimensions											
Layout See page 3 Table 2	HG HW VG VW DG DW EG EW	Horizontal layout "H" w/ grey Panduit F Series wire duct Horizontal layout "H" w/ white Panduit F Series wire duct Vertical layout "V" w/ grey Panduit F Series wire duct Vertical layout "V" w/ white Panduit F Series wire duct DIN rail layout "D" w/ grey Panduit F Series wire duct DIN rail layout "D" w/ white Panduit F Series wire duct Economy layout "E" w/ grey Panduit F Series wire duct Economy layout "E" w/ white Panduit F Series wire duct											
Approvals	X U	No approval required Meets 508A Standard for UL Listed Open Control Panel											
Options See page 4	X A B C D E F G H I J K L M N O	No option selected 3 amp DIN rail mounted circuit breaker substituted for terminal "L" 5 amp DIN rail mounted circuit breaker substituted for terminal "L" 10 amp DIN rail mounted circuit breaker substituted for terminal "L" 3 amp fuse holder terminal substituted for terminal "L" w/ 250V Slo-Blo fuse 5 amp fuse holder terminal substituted for terminal "L" w/ 250V Slo-Blo fuse 10 amp fuse holder terminal substituted for terminal "L" w/ 32V Slo-Blo fuse Switching terminal block substituted for each 24VAC hot terminal block Finger-safe terminal block cover, transparent (protects entire terminal strip) 10 extra terminals mounted on 12 inch DIN rail (shipped loose w/ mntg screws) 20 extra terminals mounted on 12 inch DIN rail (shipped loose w/ mntg screws) 40 extra terminals mounted on 12 inch DIN rail (shipped loose w/ mntg screws) Solid wall wire duct to enclose 120VAC circuits – see Supplementary Spec "L" 2x4 box w/ 2 gang Cat5E cover plate and jacks – ships loose w/ screws 2x4 box w/ 4 gang Cat5E cover plate and jacks – ships loose w/ screws 5ft Cat5E cable, male/male – ships loose											
Power Control See pages 5 & 6	XX DS DD FD DL	No factory mounted disconnect or receptacle required Used for SW-1, 15 amp disconnect & single receptacle w/ 2x4 box Used for SW-1, 15 amp disconnect & duplex receptacle w/ 4x4 box Used for SW-1, 10 amp Functional Devices PSPT2RB10 w/ 4x4 box Used for SW-1, 15 amp disconnect & duplex receptacle, indicator light, 10 amp fuse w/ 4x4 box											
Control Power Transformers & Pwr Supplies See page 7	000 040 050 075 100 D40 D50 D75 D10	No factory mounted transformer or power supply required Labeled TX-1, TR40VA001, 40VA, 120x24VAC Labeled TX-1, TR50VA001, 50VA, 120x24VAC, w/ circuit breaker Labeled TX-1, TR75VA001, 75VA, 120x24VAC, w/ circuit breaker Labeled TX-1, TR100VA001, 100VA, 120x24VAC, w/ circuit breaker Labeled TX-1, TR40VA001, 40VA, 120x24VAC, w/ circuit breaker, DUAL HUB Labeled TX-1, TR50VA001, 50VA, 120x24VAC, w/ circuit breaker, DUAL HUB Labeled TX-1, TR75VA001, 75VA, 120x24VAC, w/ circuit breaker, DUAL HUB Labeled TX-1, TR100VA001, 100VA, 120x24VAC, w/ circuit breaker, DUAL HUB											Cont'd Next Page



Fill in the blanks to build your custom model number by selecting one Option from each Table

- Consult pages 4 thru 11 to select the Material, Layout, Power Control, and other Options that best suit your application.
- Example model number ... SUB-S-2420-HG-X-X-00-050-050

Table	Options	Model #	SUB	-	4230	--	-	-	--	--	--	--	--	
Control Power Transformers & Pwr Supplies See page 7	F04* F44* F47** F41* F07** F77** F71** F01* F11* I23 I26 I22 I21	TX-1, PSH40AB10, power supply, 120x24VAC, 40VA, w/ breaker & outlet TX-1/2, PSH40A40AB10, dual power supply, 120x24VAC, (2) 40VA, w/ breaker & outlet TX-1/2, PSH40A75AB10, dual power supply, 120x24VAC, 40VA/75VA, w/ breaker & outlet TX-1/2, PSH40A100AB10, dual power supply, 120x24VAC, 40VA/100VA, w/ breaker & outlet TX-1, PSH75AB10, power supply, 120x24VAC, 75VA, w/ breaker & outlet TX-1/2, PSH75A75AB10, dual power supply, 120x24VAC, (2) 75VA, w/ breaker & outlet TX-1/2, PSH75A100AB10, dual power supply, 120x24VAC, 75VA/100VA, w/ breaker & outlet TX-1, PSH100AB10, power supply, 120x24VAC, 100VA, w/ breaker & outlet TX-1/2, PSH100A100AB10, dual power supply, 120x24VAC, (2) 100VA, w/ breaker & outlet Labeled DC-1, HDR-30-24, 24 vdc power supply, 120VAC input, 30 watt, DIN mounted Labeled DC-1, HDR-60-24, 24 vdc power supply, 120VAC input, 60 watt, DIN mounted Labeled DC-1, HDR-100-24, 24 vdc power supply, 120VAC input, 100 watt, DIN mounted Labeled DC-1, NDR-120-24, 24 vdc power supply, 120VAC input, 120 watt, DIN mounted											Cont'd Next Page	Cont'd Next Page
Field or Auxiliary Power Transformers & Pwr Supplies See page 7	000 040 050 075 100 D40 D50 D75 D10 F04* F44* F47** F41* F07** F77** F01* F11* I23 I26 I22 I21	No factory mounted transformer or power supply required Labeled TX-2, TR40VA001, 40VA, 120x24VAC Labeled TX-2, TR50VA001, 50VA, 120x24VAC, w/ circuit breaker Labeled TX-2, TR75VA001, 75VA, 120x24VAC, w/ circuit breaker Labeled TX-2, TR100VA001, 100VA, 120x24VAC, w/ circuit breaker Labeled TX-2, TR40VA001, 40VA, 120x24VAC, w/ circuit breaker, DUAL HUB Labeled TX-2, TR50VA001, 50VA, 120x24VAC, w/ circuit breaker, DUAL HUB Labeled TX-2, TR75VA001, 75VA, 120x24VAC, w/ circuit breaker, DUAL HUB Labeled TX-2, TR100VA001, 100VA, 120x24VAC, w/ circuit breaker, DUAL HUB TX-2, PSH40AB10, power supply, 120x24VAC, 40VA, w/ breaker & outlet TX-2/3, PSH40A40AB10, dual power supply, 120x24VAC, (2) 40VA, w/ breaker & outlet TX-2/3, PSH40A75AB10, dual power supply, 120x24VAC, 40VA/75VA, w/ breaker & outlet TX-2/3, PSH40A100AB10, dual power supply, 120x24VAC, 40VA/100VA, w/ breaker & outlet TX-2, PSH75AB10, power supply, 120x24VAC, 75VA, w/ breaker & outlet TX-2/3, PSH75A75AB10, dual power supply, 120x24VAC, (2) 75VA, w/ breaker & outlet TX-2, PSH100AB10, power supply, 120x24VAC, 100VA, w/ breaker & outlet TX-2/3, PSH100A100AB10, dual power supply, 120x24VAC, (2) 100VA, w/ breaker & outlet Labeled DC-2, HDR-30-24, 24 vdc power supply, 120VAC input, 30 watt, DIN mounted Labeled DC-2, HDR-60-24, 24 vdc power supply, 120VAC input, 60 watt, DIN mounted Labeled DC-2, HDR-100-24, 24 vdc power supply, 120VAC input, 100 watt, DIN mounted Labeled DC-2, NDR-120-24, 24 vdc power supply, 120VAC input, 120 watt, DIN mounted											Cont'd Next Page	Cont'd Next Page

Notes
 * Option is not available if separate Power Control was selected
 ** Option is not available if separate Power Control was selected OR UL Listing is required



EZ PANEL™ 4230

Model Selection Guide

Custom prefabricated subpanel assemblies

continued

Fill in the blanks to build your custom model number by selecting one Option from each Table

- Consult pages 4 thru 11 to select the Material, Layout, Power Control, and other Options that best suit your application.
- Example model number ... SUB-S-2420-HG-X-X-00-050-050

Table	Options	Model #	SUB	-	4230	--	-	-	--	--	--	--	--
Field or Auxiliary Power Transformers & Pwr Supplies See page 7	000 040 050 075 100 D40 D50 D75 D10 I23 I26 I22 I21	No factory mounted transformer or power supply required Labeled TX-3, TR40VA001, 40VA, 120x24VAC Labeled TX-3, TR50VA001, 50VA, 120x24VAC, w/ circuit breaker Labeled TX-3, TR75VA001, 75VA, 120x24VAC, w/ circuit breaker Labeled TX-3, TR100VA001, 100VA, 120x24VAC, w/ circuit breaker Labeled TX-3, TR40VA001, 40VA, 120x24VAC, w/ circuit breaker, DUAL HUB Labeled TX-3, TR50VA001, 50VA, 120x24VAC, w/ circuit breaker, DUAL HUB Labeled TX-3, TR75VA001, 75VA, 120x24VAC, w/ circuit breaker, DUAL HUB Labeled TX-3, TR100VA001, 100VA, 120x24VAC, w/ circuit breaker, DUAL HUB Labeled DC-3, HDR-30-24, 24 vdc power supply, 120VAC input, 30 watt, DIN mounted Labeled DC-3, HDR-60-24, 24 vdc power supply, 120VAC input, 60 watt, DIN mounted Labeled DC-3, HDR-100-24, 24 vdc power supply, 120VAC input, 100 watt, DIN mounted Labeled DC-3, NDR-120-24, 24 vdc power supply, 120VAC input, 120 watt, DIN mounted											
Field or Auxiliary Power Transformers & Pwr Supplies See page 7	000 040 050 075 100 D40 D50 D75 D10 I23 I26 I22 I21	No factory mounted transformer or power supply required Labeled TX-4, TR40VA001, 40VA, 120x24VAC Labeled TX-4, TR50VA001, 50VA, 120x24VAC, w/ circuit breaker Labeled TX-4, TR75VA001, 75VA, 120x24VAC, w/ circuit breaker Labeled TX-4, TR100VA001, 100VA, 120x24VAC, w/ circuit breaker Labeled TX-4, TR40VA001, 40VA, 120x24VAC, w/ circuit breaker, DUAL HUB Labeled TX-4, TR50VA001, 50VA, 120x24VAC, w/ circuit breaker, DUAL HUB Labeled TX-4, TR75VA001, 75VA, 120x24VAC, w/ circuit breaker, DUAL HUB Labeled TX-4, TR100VA001, 100VA, 120x24VAC, w/ circuit breaker, DUAL HUB Labeled DC-4, HDR-30-24, 24 vdc power supply, 120VAC input, 30 watt, DIN mounted Labeled DC-4, HDR-60-24, 24 vdc power supply, 120VAC input, 60 watt, DIN mounted Labeled DC-4, HDR-100-24, 24 vdc power supply, 120VAC input, 100 watt, DIN mounted Labeled DC-4, NDR-120-24, 24 vdc power supply, 120VAC input, 120 watt, DIN mounted											



Table	Options	Model #	SUB	_	4230	_	_	_____	_____	_____	_____
-------	---------	---------	-----	---	------	---	---	-------	-------	-------	-------

Select (1) Option and insert the letter to fill in the highlighted field / of the EZ Panel model number

MODEL SELECTION NOTES

- Note 1:** Insert the letter "X" in this field of the EZ Panel model number if no Option is required.
Note 2: All Options are available individually. If more than (1) Option is required, simply order the additional Options using the prefix "EZ-".

Example: If your panel requires a 10 amp circuit breaker... capability to isolate the 24VAC circuits... and (20) extra terminal blocks... you would order (3) items as follows:

- SUB - P - 4230 - HG - X - C - DS -100 - 100 - 100 - 100
- EZ - G
- EZ - J

Note 3: Photo Shown as typical for panels having (2) transformers

3 AMP Breaker



3 amp DIN rail mounted circuit breaker substituted for terminal "L"



*See Note 3

5 AMP Breaker



5 amp DIN rail mounted circuit breaker substituted for terminal "L"



*See Note 3

10 AMP Breaker



10 amp DIN rail mounted circuit breaker substituted for terminal "L"



*See Note 3

3 AMP Fuse Holder



3 amp fuse holder terminal with fast-blo fuse substituted for terminal "L"



*See Note 3

5 AMP Fuse Holder



5 amp fuse holder terminal with fast-blo fuse substituted for terminal "L"



*See Note 3

10 AMP Fuse Holder



10 amp fuse holder terminal with fast-blo fuse substituted for terminal "L"



*See Note 3

Isolate 24VAC Circuit



Switching terminal block substituted for each 24VAC hot terminal block



*See Note 3

Terminal Cover



Transparent finger-safe terminal block cover. Threaded nylon nuts must be removed to access terminal block.



Continued on next page



10 Extra Terminals



10 numbered terminal blocks mounted on a 12" section of DIN rail shipped loose with mtg screws (required field installation)



*See Note 3

20 Extra Terminals



20 numbered terminal blocks mounted on a 12" section of DIN rail shipped loose with mtg screws (required field installation)



*See Note 3

40 Extra Terminals



40 numbered terminal blocks mounted on a 12" section of DIN rail shipped loose with mtg screws (required field installation)



*See Note 3

Isolated 120VAC



Solid wall wire duct to isolate line voltage terminal blocks and all 120VAC circuits. See Supplementary Spec "L" on page...



*See Note 3

2 Gang Cat5E



Two gang plastic cover plate with (2) Cat5E jacks mounted on a 2x4 handi-box. Items ship loose w/ mtg screws.



*See Note 3

4 Gang Cat5E



Four gang plastic cover plate with (4) Cat5E jacks mounted on a 2x4 handi-box. Items ship loose w/ mtg screws.



*See Note 3

Cat5E Cable



5ft Cat5E, male/male cable shipped loose.



*See Note 3



EZ PANEL™ 4230

Custom prefabricated subpanel assemblies

Model Selection Guide

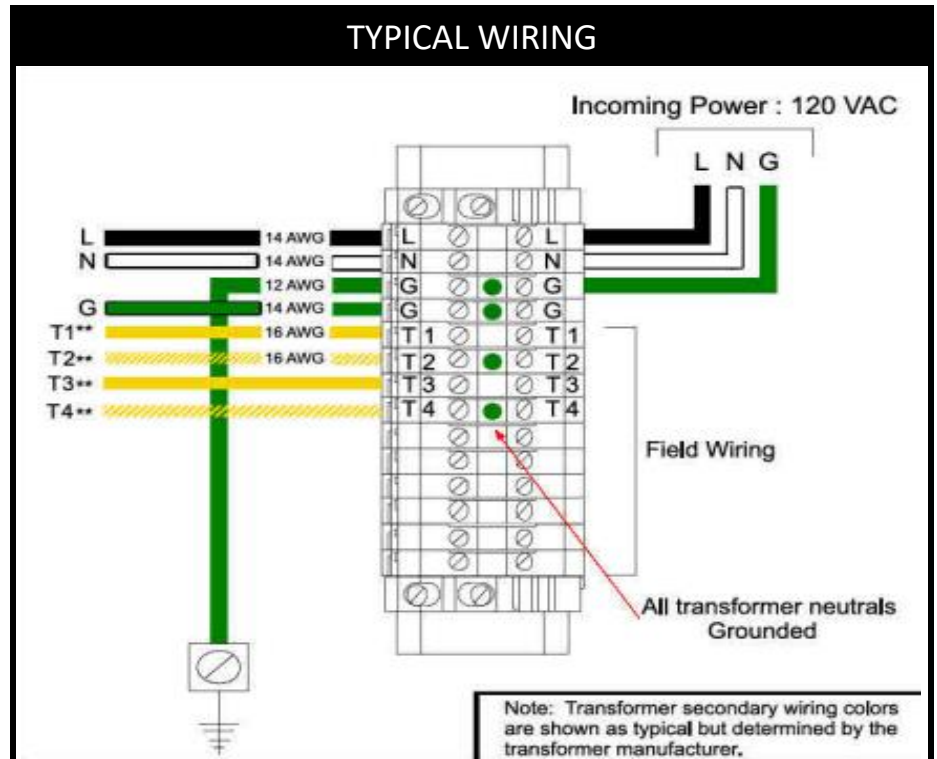
Power Control Options

Table	Options	Model #	SUB	_	4230	_	_	_	_	_	_	_
-------	---------	---------	-----	---	------	---	---	---	---	---	---	---

Select (1) Option and insert the letters to fill in the highlighted field of the EZ Panel model number

4 OPTIONS AVAILABLE

	DS
	DD
	FD
	DL



TERMINAL ASSEMBLY

Shown for (2) transformers

Bill of Materials		
COMPONENT	MANUFACTURER	PART NO.
Terminal Block	Entelec	11511607
End Plate	Entelec	11836816
End Stop	Entelec	20635116
Marking Cards	Entelec	23300001
Jumper Bar	Entelec	17478420
Jumper Post	Entelec	16860416
Ground Lug	IlSCO	CP-4



MODEL SELECTION NOTES

* Power control (SW-1) is optional

If no Power Control is selected, insert the letters **XX** in the highlighted field of the EZ Panel Model Number.

If no Power Control is selected, but factory mounted transformers are still required; transformers will be wired directly to the L and N terminals and will be continuously HOT when the panel is powered.

Inserting XX in this field is mandatory if Functional Devices PSH Series Combination Power Supplies are being used in lieu of standard foot mounted transformers. See below for related wiring schematics.

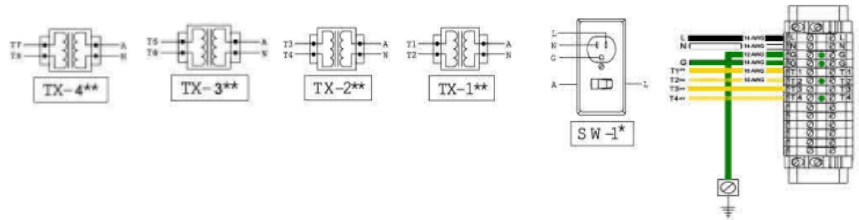
* * Transformers (TX-#) are optional

Every panel includes (14) total terminal blocks regardless of the transformer quantity chosen. If the maximum number of transformers is not selected, the unused terminals will include blank markers and will be available for other field terminations is required.

Power Control Option

15 amps
2 x 4 steel box w/ cover

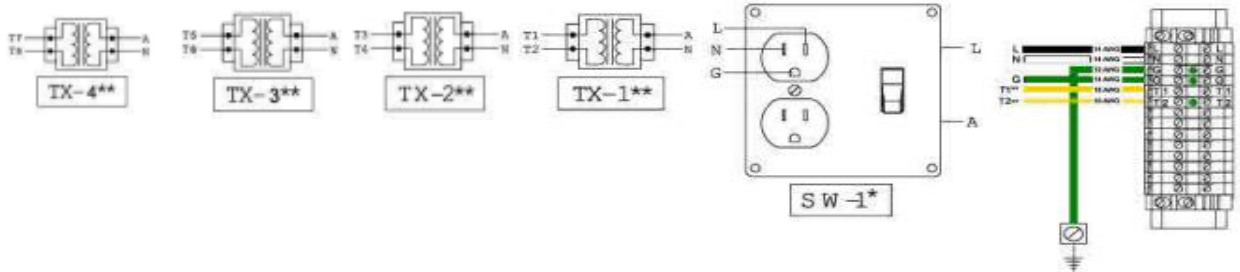
DS



Power Control Option

15 amps
4 x 4 steel box w/ cover

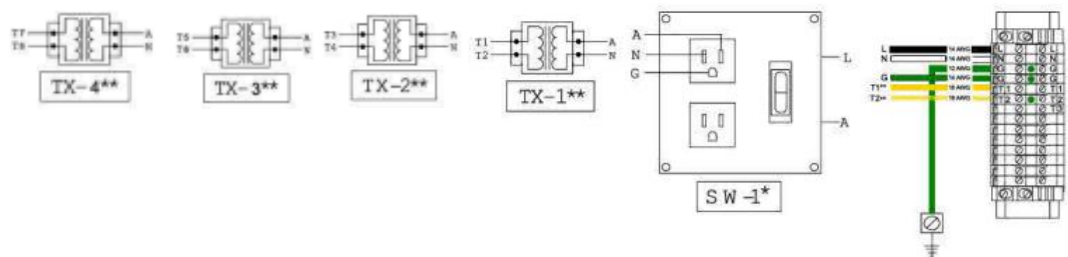
DD



Power Control Option

Functional Devices p/n:
PSPT2RB10
10 amps
4 x 4 plastic box w/ cover

FD



Internal jumper allows receptacle to be continuously controlled by the switch

See next page for more Power Control Options

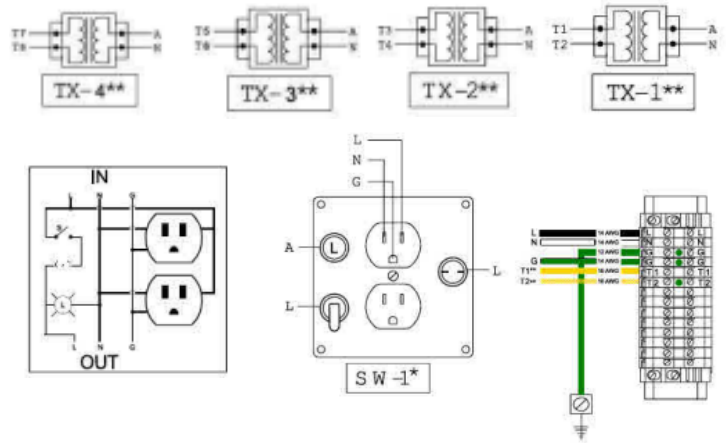


Power Control Option

DL

- 15 amp rated components
- 4 x 4 steel box w/ cover
- * Includes red indicator light
- * Includes fuse holder w/ 10 amp fuse

Supplemental internal wiring diagram for Power Control Option DL only



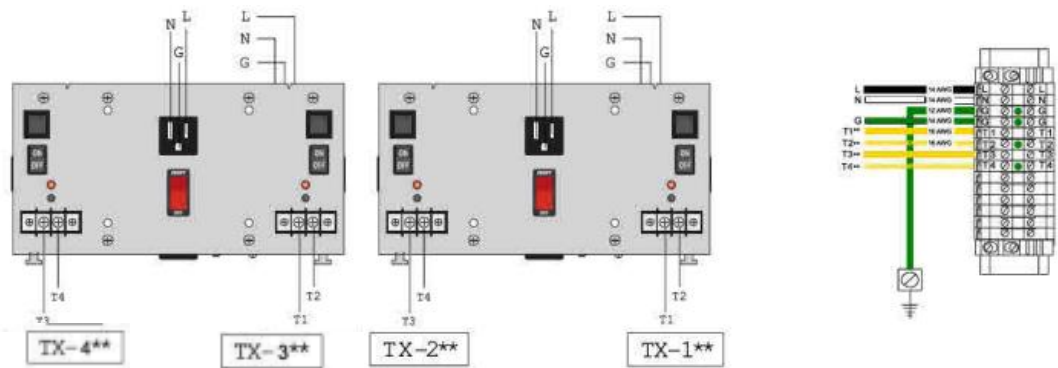
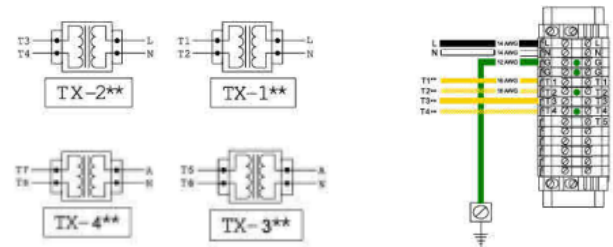
Power Control Option

XX

Valid option is no factory installed Power Control device is required for the panel. All transformers are HOT when panel is powered.

Also valid if Functional Devices PSH Series Combination Power Supplies are being used in lieu of standard foot mounted transformers.

Internal jumper allows receptacle to be continuously controlled by the switch.





EZ PANEL™ 4230

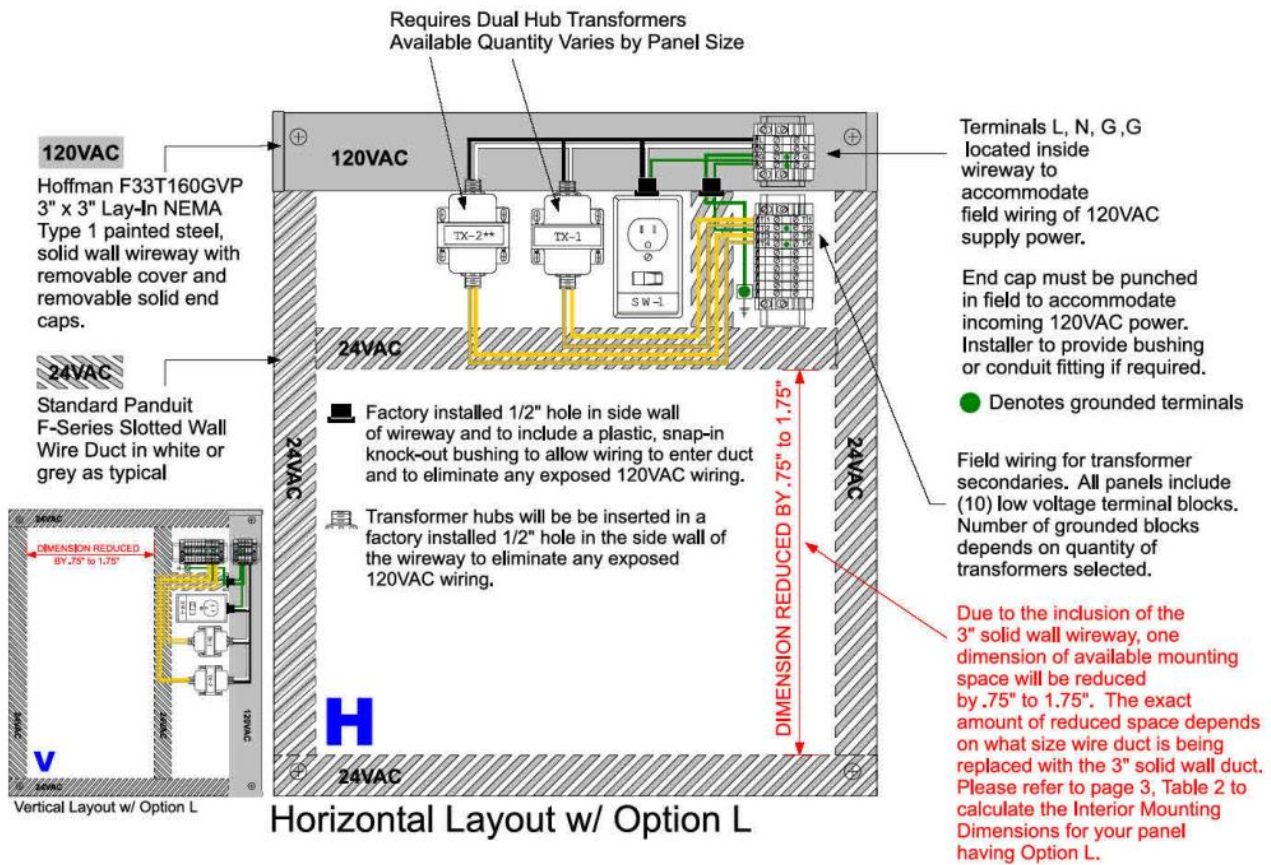
Custom prefabricated subpanel assemblies

Model Selection Guide

Option "L" Supplementary Specification

This is a supplementary specification guide and should be used in conjunction with the standard EZ Panel Model Selection Guides for each panel size offered in our product line. This document only applies to EZ Panels with "L" selected in the Options table. This design satisfies separation of circuits as well as strict panel standards which prohibit exposed 120VAC or line voltage wiring. Please note that choosing Option "L" dictates some panel choices and limits others. Specifying panels with this option reduces the standard available interior, module mounting space for all sizes and all applicable layouts. Please follow model selection instructions carefully.

Only Horizontal and Vertical layouts are shown below. However, Option "L" is available with every size and layout in the EZ Panel product line. Feature details shown on the horizontal layout are typical except that reduced interior mounting dimensions will vary depending on what size wire duct is replaced by the solid wall duct.





EZ PANEL™ 4236

Model Selection Guide

Custom prefabricated subpanel assemblies

Fill in the blanks to build your custom model number by selecting one Option from each Table

- Consult pages 4 thru 11 to select the Material, Layout, Power Control, and other Options that best suit your application.
- Example model number ... SUB-S-2420-HG-X-X-00-050-050

Table	Options	Model #	SUB	-	4236	--	-	-	--	---	---	---	---	---			
Type	SUB	Subpanel Assembly															
Material See page 3 Table 1	I C	Hoffman, A42P36, industrial, solid Hoffman, CP4236, Concept, solid											Cont'd Next Page	Cont'd Next Page	Cont'd Next Page	Cont'd Next Page	Cont'd Next Page
Size	4236	See Page 3, Table 2 for interior dimensions															
Layout See page 3 Table 2	HG HW VG VW DG DW EG EW	Horizontal layout "H" w/ grey Panduit F Series wire duct Horizontal layout "H" w/ white Panduit F Series wire duct Vertical layout "V" w/ grey Panduit F Series wire duct Vertical layout "V" w/ white Panduit F Series wire duct DIN rail layout "D" w/ grey Panduit F Series wire duct DIN rail layout "D" w/ white Panduit F Series wire duct Economy layout "E" w/ grey Panduit F Series wire duct Economy layout "E" w/ white Panduit F Series wire duct															
Approvals	X U	No approval required Meets 508A Standard for UL Listed Open Control Panel															
Options See page 4	X A B C D E F G H I J K L M N O	No option selected 3 amp DIN rail mounted circuit breaker substituted for terminal "L" 5 amp DIN rail mounted circuit breaker substituted for terminal "L" 10 amp DIN rail mounted circuit breaker substituted for terminal "L" 3 amp fuse holder terminal substituted for terminal "L" w/ 250V Slo-Blo fuse 5 amp fuse holder terminal substituted for terminal "L" w/ 250V Slo-Blo fuse 10 amp fuse holder terminal substituted for terminal "L" w/ 32V Slo-Blo fuse Switching terminal block substituted for each 24VAC hot terminal block Finger-safe terminal block cover, transparent (protects entire terminal strip) 10 extra terminals mounted on 12 inch DIN rail (shipped loose w/ mntg screws) 20 extra terminals mounted on 12 inch DIN rail (shipped loose w/ mntg screws) 40 extra terminals mounted on 12 inch DIN rail (shipped loose w/ mntg screws) Solid wall wire duct to enclose 120VAC circuits – see Supplementary Spec "L" 2x4 box w/ 2 gang Cat5E cover plate and jacks – ships loose w/ screws 2x4 box w/ 4 gang Cat5E cover plate and jacks – ships loose w/ screws 5ft Cat5E cable, male/male – ships loose															
Power Control See pages 5 & 6	XX DS DD FD DL	No factory mounted disconnect or receptacle required Used for SW-1, 15 amp disconnect & single receptacle w/ 2x4 box Used for SW-1, 15 amp disconnect & duplex receptacle w/ 4x4 box Used for SW-1, 10 amp Functional Devices PSPT2RB10 w/ 4x4 box Used for SW-1, 15 amp disconnect & duplex receptacle, indicator light, 10 amp fuse w/ 4x4 box															
Control Power Transformers & Pwr Supplies See page 7	000 040 050 075 100 D40 D50 D75 D10	No factory mounted transformer or power supply required Labeled TX-1, TR40VA001, 40VA, 120x24VAC Labeled TX-1, TR50VA001, 50VA, 120x24VAC, w/ circuit breaker Labeled TX-1, TR75VA001, 75VA, 120x24VAC, w/ circuit breaker Labeled TX-1, TR100VA001, 100VA, 120x24VAC, w/ circuit breaker Labeled TX-1, TR40VA001, 40VA, 120x24VAC, w/ circuit breaker, DUAL HUB Labeled TX-1, TR50VA001, 50VA, 120x24VAC, w/ circuit breaker, DUAL HUB Labeled TX-1, TR75VA001, 75VA, 120x24VAC, w/ circuit breaker, DUAL HUB Labeled TX-1, TR100VA001, 100VA, 120x24VAC, w/ circuit breaker, DUAL HUB															
Cont'd Next Page													Cont'd Next Page	Cont'd Next Page	Cont'd Next Page	Cont'd Next Page	Cont'd Next Page



Fill in the blanks to build your custom model number by selecting one Option from each Table

- Consult pages 4 thru 11 to select the Material, Layout, Power Control, and other Options that best suit your application.
- Example model number ... SUB-S-2420-HG-X-X-00-050-050

Table	Options	Model #	SUB	-	4236	--	-	-	--	---	---	---	---	---	
Control Power Transformers & Pwr Supplies See page 7	F04* F44* F47** F41* F07** F77** F71** F01* F11* I23 I26 I22 I21	TX-1, PSH40AB10, power supply, 120x24VAC, 40VA, w/ breaker & outlet TX-1/2, PSH40A40AB10, dual power supply, 120x24VAC, (2) 40VA, w/ breaker & outlet TX-1/2, PSH40A75AB10, dual power supply, 120x24VAC, 40VA/75VA, w/ breaker & outlet TX-1/2, PSH40A100AB10, dual power supply, 120x24VAC, 40VA/100VA, w/ breaker & outlet TX-1, PSH75AB10, power supply, 120x24VAC, 75VA, w/ breaker & outlet TX-1/2, PSH75A75AB10, dual power supply, 120x24VAC, (2) 75VA, w/ breaker & outlet TX-1/2, PSH75A100AB10, dual power supply, 120x24VAC, 75VA/100VA, w/ breaker & outlet TX-1, PSH100AB10, power supply, 120x24VAC, 100VA, w/ breaker & outlet TX-1/2, PSH100A100AB10, dual power supply, 120x24VAC, (2) 100VA, w/ breaker & outlet Labeled DC-1, HDR-30-24, 24 vdc power supply, 120VAC input, 30 watt, DIN mounted Labeled DC-1, HDR-60-24, 24 vdc power supply, 120VAC input, 60 watt, DIN mounted Labeled DC-1, HDR-100-24, 24 vdc power supply, 120VAC input, 100 watt, DIN mounted Labeled DC-1, NDR-120-24, 24 vdc power supply, 120VAC input, 120 watt, DIN mounted											Cont'd Next Page	Cont'd Next Page	Cont'd Next Page
Field or Auxiliary Power Transformers & Pwr Supplies See page 7	000 040 050 075 100 D40 D50 D75 D10 F04* F44* F47** F41* F07** F77** F01* F11* I23 I26 I22 I21	No factory mounted transformer or power supply required Labeled TX-2, TR40VA001, 40VA, 120x24VAC Labeled TX-2, TR50VA001, 50VA, 120x24VAC, w/ circuit breaker Labeled TX-2, TR75VA001, 75VA, 120x24VAC, w/ circuit breaker Labeled TX-2, TR100VA001, 100VA, 120x24VAC, w/ circuit breaker Labeled TX-2, TR40VA001, 40VA, 120x24VAC, w/ circuit breaker, DUAL HUB Labeled TX-2, TR50VA001, 50VA, 120x24VAC, w/ circuit breaker, DUAL HUB Labeled TX-2, TR75VA001, 75VA, 120x24VAC, w/ circuit breaker, DUAL HUB Labeled TX-2, TR100VA001, 100VA, 120x24VAC, w/ circuit breaker, DUAL HUB TX-2, PSH40AB10, power supply, 120x24VAC, 40VA, w/ breaker & outlet TX-2/3, PSH40A40AB10, dual power supply, 120x24VAC, (2) 40VA, w/ breaker & outlet TX-2/3, PSH40A75AB10, dual power supply, 120x24VAC, 40VA/75VA, w/ breaker & outlet TX-2/3, PSH40A100AB10, dual power supply, 120x24VAC, 40VA/100VA, w/ breaker & outlet TX-2, PSH75AB10, power supply, 120x24VAC, 75VA, w/ breaker & outlet TX-2/3, PSH75A75AB10, dual power supply, 120x24VAC, (2) 75VA, w/ breaker & outlet TX-2, PSH100AB10, power supply, 120x24VAC, 100VA, w/ breaker & outlet TX-2/3, PSH100A100AB10, dual power supply, 120x24VAC, (2) 100VA, w/ breaker & outlet Labeled DC-2, HDR-30-24, 24 vdc power supply, 120VAC input, 30 watt, DIN mounted Labeled DC-2, HDR-60-24, 24 vdc power supply, 120VAC input, 60 watt, DIN mounted Labeled DC-2, HDR-100-24, 24 vdc power supply, 120VAC input, 100 watt, DIN mounted Labeled DC-2, NDR-120-24, 24 vdc power supply, 120VAC input, 120 watt, DIN mounted											Cont'd Next Page	Cont'd Next Page	Cont'd Next Page

Notes * Option is not available if separate Power Control was selected
 ** Option is not available if separate Power Control was selected OR UL Listing is required



EZ PANEL™ 4236

Model Selection Guide

Custom prefabricated subpanel assemblies

continued

Fill in the blanks to build your custom model number by selecting one Option from each Table

- Consult pages 4 thru 11 to select the Material, Layout, Power Control, and other Options that best suit your application.
- Example model number ... SUB-S-2420-HG-X-X-00-050-050

Table	Options	Model #	SUB	-	4236	--	-	-	--	---	---	---	---
Field or Auxiliary Power Transformers & Pwr Supplies See page 7	000 040 050 075 100 D40 D50 D75 D10 F04* F07** F01* I23 I26 I22 I21	No factory mounted transformer or power supply required Labeled TX-3, TR40VA001, 40VA, 120x24VAC Labeled TX-3, TR50VA001, 50VA, 120x24VAC, w/ circuit breaker Labeled TX-3, TR75VA001, 75VA, 120x24VAC, w/ circuit breaker Labeled TX-3, TR100VA001, 100VA, 120x24VAC, w/ circuit breaker Labeled TX-3, TR40VA001, 40VA, 120x24VAC, w/ circuit breaker, DUAL HUB Labeled TX-3, TR50VA001, 50VA, 120x24VAC, w/ circuit breaker, DUAL HUB Labeled TX-3, TR75VA001, 75VA, 120x24VAC, w/ circuit breaker, DUAL HUB Labeled TX-3, TR100VA001, 100VA, 120x24VAC, w/ circuit breaker, DUAL HUB TX-3, PSH40AB10, power supply, 120x24VAC, 40VA, w/ breaker & outlet TX-3, PSH75AB10, power supply, 120x24VAC, 75VA, w/ breaker & outlet TX-3, PSH100AB10, power supply, 120x24VAC, 100VA, w/ breaker & outlet Labeled DC-3, HDR-30-24, 24 vdc power supply, 120VAC input, 30 watt, DIN mounted Labeled DC-3, HDR-60-24, 24 vdc power supply, 120VAC input, 60 watt, DIN mounted Labeled DC-3, HDR-100-24, 24 vdc power supply, 120VAC input, 100 watt, DIN mounted Labeled DC-3, NDR-120-24, 24 vdc power supply, 120VAC input, 120 watt, DIN mounted											
Field or Auxiliary Power Transformers & Pwr Supplies See page 7	000 040 050 075 100 D40 D50 D75 D10 I23 I26 I22 I21	No factory mounted transformer or power supply required Labeled TX-3, TR40VA001, 40VA, 120x24VAC Labeled TX-3, TR50VA001, 50VA, 120x24VAC, w/ circuit breaker Labeled TX-3, TR75VA001, 75VA, 120x24VAC, w/ circuit breaker Labeled TX-3, TR100VA001, 100VA, 120x24VAC, w/ circuit breaker Labeled TX-3, TR40VA001, 40VA, 120x24VAC, w/ circuit breaker, DUAL HUB Labeled TX-3, TR50VA001, 50VA, 120x24VAC, w/ circuit breaker, DUAL HUB Labeled TX-3, TR75VA001, 75VA, 120x24VAC, w/ circuit breaker, DUAL HUB Labeled TX-3, TR100VA001, 100VA, 120x24VAC, w/ circuit breaker, DUAL HUB Labeled DC-3, HDR-30-24, 24 vdc power supply, 120VAC input, 30 watt, DIN mounted Labeled DC-3, HDR-60-24, 24 vdc power supply, 120VAC input, 60 watt, DIN mounted Labeled DC-3, HDR-100-24, 24 vdc power supply, 120VAC input, 100 watt, DIN mounted Labeled DC-3, NDR-120-24, 24 vdc power supply, 120VAC input, 120 watt, DIN mounted											
Field or Auxiliary Power Transformers & Pwr Supplies See page 7	000 040 050 075 100 D40 D50 D75 D10 I23 I26 I22 I21	No factory mounted transformer or power supply required Labeled TX-3, TR40VA001, 40VA, 120x24VAC Labeled TX-3, TR50VA001, 50VA, 120x24VAC, w/ circuit breaker Labeled TX-3, TR75VA001, 75VA, 120x24VAC, w/ circuit breaker Labeled TX-3, TR100VA001, 100VA, 120x24VAC, w/ circuit breaker Labeled TX-3, TR40VA001, 40VA, 120x24VAC, w/ circuit breaker, DUAL HUB Labeled TX-3, TR50VA001, 50VA, 120x24VAC, w/ circuit breaker, DUAL HUB Labeled TX-3, TR75VA001, 75VA, 120x24VAC, w/ circuit breaker, DUAL HUB Labeled TX-3, TR100VA001, 100VA, 120x24VAC, w/ circuit breaker, DUAL HUB Labeled DC-3, HDR-30-24, 24 vdc power supply, 120VAC input, 30 watt, DIN mounted Labeled DC-3, HDR-60-24, 24 vdc power supply, 120VAC input, 60 watt, DIN mounted Labeled DC-3, HDR-100-24, 24 vdc power supply, 120VAC input, 100 watt, DIN mounted Labeled DC-3, NDR-120-24, 24 vdc power supply, 120VAC input, 120 watt, DIN mounted											

- Notes**
- * Option is not available if separate Power Control was selected
 - ** Option is not available if separate Power Control was selected OR UL Listing is required



Table	Options	Model #	SUB	_	4236	_	_	←	_	_	_	_	_	_
-------	---------	---------	-----	---	------	---	---	---	---	---	---	---	---	---

Select (1) Option and insert the letter to fill in the highlighted field / of the EZ Panel model number

MODEL SELECTION NOTES

- Note 1:** Insert the letter "X" in this field of the EZ Panel model number if no Option is required.
Note 2: All Options are available individually. If more than (1) Option is required, simply order the additional Options using the prefix "EZ-".

Example: If your panel requires a 10 amp circuit breaker... capability to isolate the 24VAC circuits... and (20) extra terminal blocks... you would order (3) items as follows:

- SUB - P - 4236 - HG - X - C - DS -100 - 100 - 100 - 100 - 100
- EZ - G
- EZ - J

Note 3: Photo Shown as typical for panels having (2) transformers

3 AMP Breaker



3 amp DIN rail mounted circuit breaker substituted for terminal "L"



*See Note 3

5 AMP Breaker



5 amp DIN rail mounted circuit breaker substituted for terminal "L"



*See Note 3

10 AMP Breaker



10 amp DIN rail mounted circuit breaker substituted for terminal "L"



*See Note 3

3 AMP Fuse Holder



3 amp fuse holder terminal with fast-blo fuse substituted for terminal "L"



*See Note 3

5 AMP Fuse Holder



5 amp fuse holder terminal with fast-blo fuse substituted for terminal "L"



*See Note 3

10 AMP Fuse Holder



10 amp fuse holder terminal with fast-blo fuse substituted for terminal "L"



*See Note 3

Isolate 24VAC Circuit



Switching terminal block substituted for each 24VAC hot terminal block



*See Note 3

Terminal Cover



Transparent finger-safe terminal block cover. Threaded nylon nuts must be removed to access terminal block.



Continued on next page



10 Extra Terminals



10 numbered terminal blocks mounted on a 12" section of DIN rail shipped loose with mtg screws (required field installation)



*See Note 3

20 Extra Terminals



20 numbered terminal blocks mounted on a 12" section of DIN rail shipped loose with mtg screws (required field installation)



*See Note 3

40 Extra Terminals



40 numbered terminal blocks mounted on a 12" section of DIN rail shipped loose with mtg screws (required field installation)



*See Note 3

Isolated 120VAC



Solid wall wire duct to isolate line voltage terminal blocks and all 120VAC circuits. See Supplementary Spec "L" on page...



*See Note 3

2 Gang Cat5E



Two gang plastic cover plate with (2) Cat5E jacks mounted on a 2x4 handi-box. Items ship loose w/ mtg screws.



*See Note 3

4 Gang Cat5E



Four gang plastic cover plate with (4) Cat5E jacks mounted on a 2x4 handi-box. Items ship loose w/ mtg screws.



*See Note 3

Cat5E Cable



5ft Cat5E, male/male cable shipped loose.



*See Note 3



EZ PANEL™ 4236

Custom prefabricated subpanel assemblies

Model Selection Guide

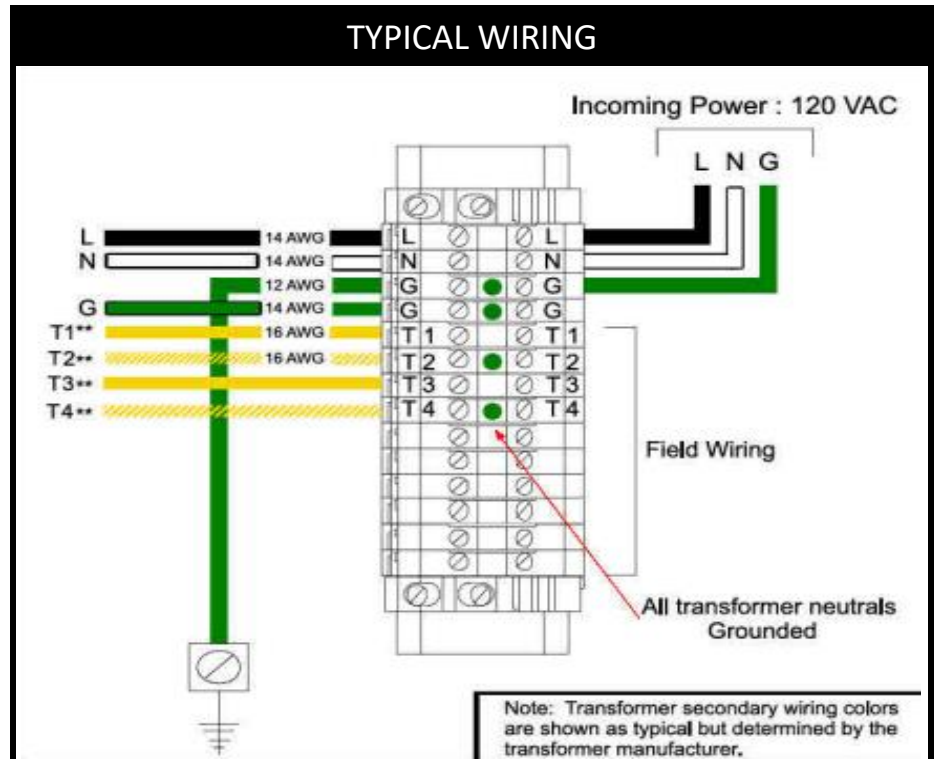
Power Control Options

Table	Options	Model #	SUB	_	4236	_	_	_	_	_	_	_	_
-------	---------	---------	-----	---	------	---	---	---	---	---	---	---	---

Select (1) Option and insert the letters to fill in the highlighted field of the EZ Panel model number

4 OPTIONS AVAILABLE

	DS
	DD
	FD
	DL



TERMINAL ASSEMBLY

Shown for (2) transformers

Bill of Materials		
COMPONENT	MANUFACTURER	PART NO.
Terminal Block	Entrelec	11511607
End Plate	Entrelec	11836816
End Stop	Entrelec	20635116
Marking Cards	Entrelec	23300001
Jumper Bar	Entrelec	17478420
Jumper Post	Entrelec	16860416
Ground Lug	IlSCO	CP-4



MODEL SELECTION NOTES

* Power control (SW-1) is optional

If no Power Control is selected, insert the letters **XX** in the highlighted field of the EZ Panel Model Number.

If no Power Control is selected, but factory mounted transformers are still required; transformers will be wired directly to the L and N terminals and will be continuously HOT when the panel is powered.

Inserting XX in this field is mandatory if Functional Devices PSH Series Combination Power Supplies are being used in lieu of standard foot mounted transformers. See below for related wiring schematics.

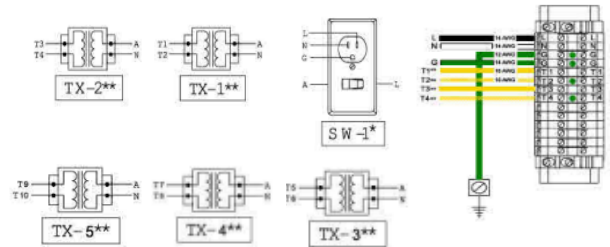
* * Transformers (TX-#) are optional

Every panel includes (14) total terminal blocks regardless of the transformer quantity chosen. If the maximum number of transformers is not selected, the unused terminals will include blank markers and will be available for other field terminations is required.

Power Control Option

15 amps
2 x 4 steel box w/ cover

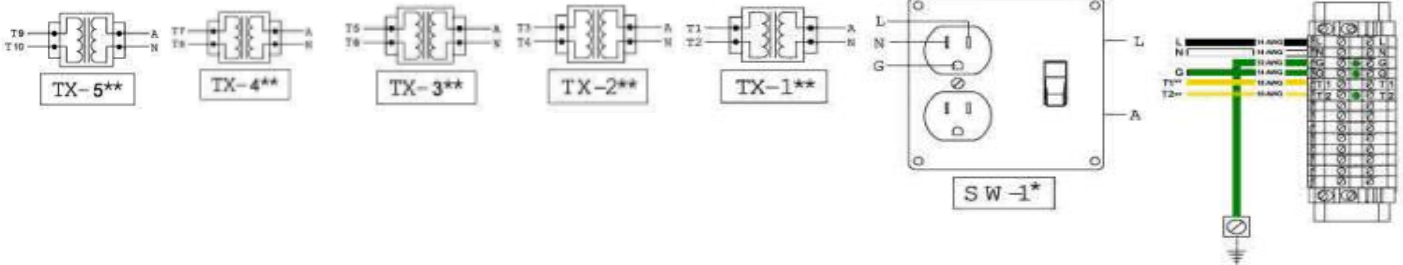
DS



Power Control Option

15 amps
4 x 4 steel box w/ cover

DD

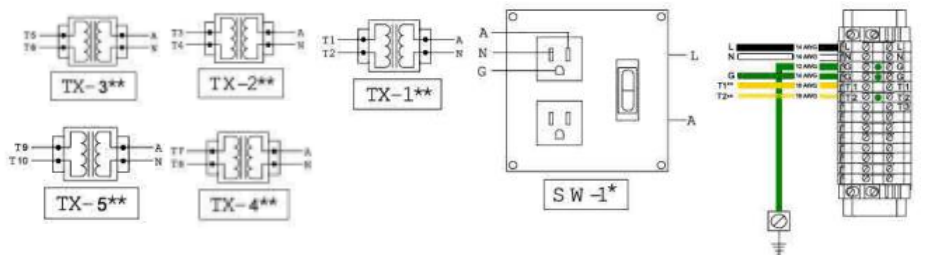


Power Control Option

Functional Devices p/n:
PSPT2RB10
10 amps
4 x 4 plastic box w/ cover

FD

Internal jumper allows receptacle to be continuously controlled by the switch



See next page for more Power Control Options

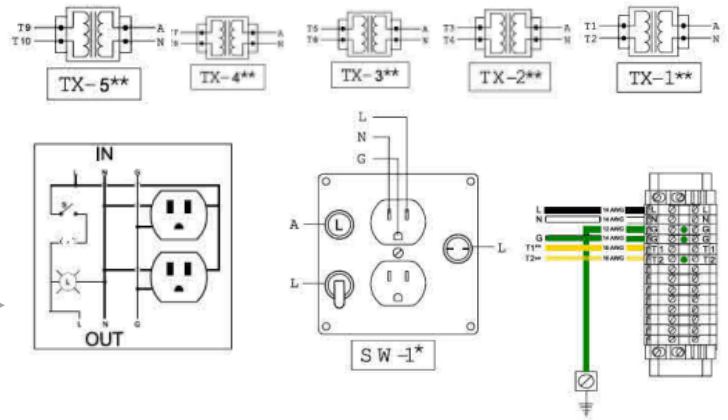


Power Control Option

DL

- 15 amp rated components
- 4 x 4 steel box w/ cover
- * Includes red indicator light
- * Includes fuse holder w/ 10 amp fuse

Supplemental internal wiring diagram for Power Control Option DL only



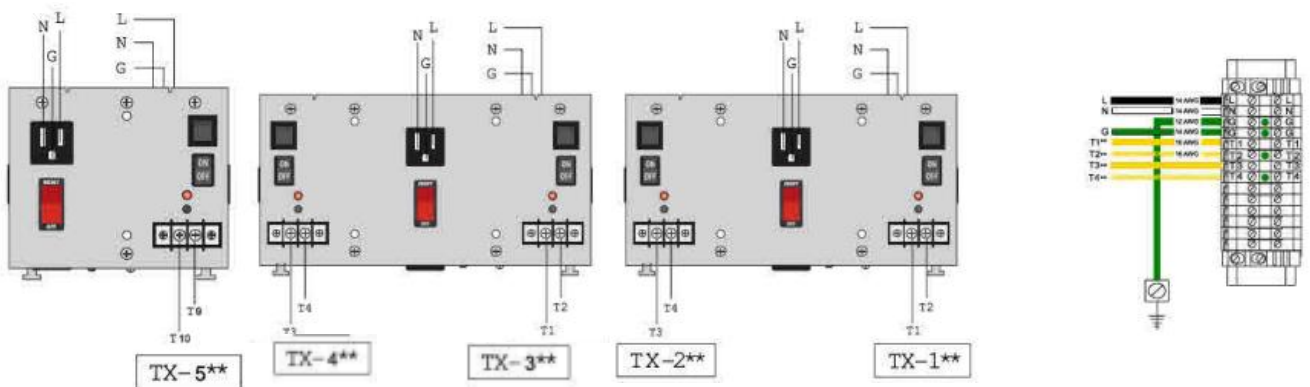
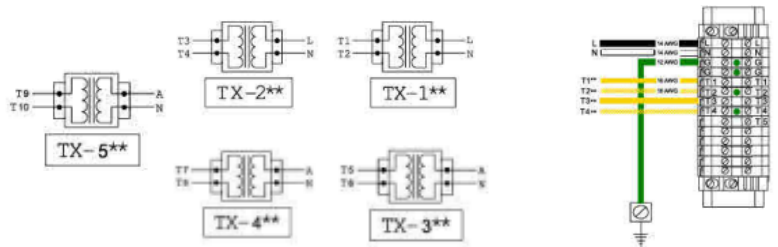
Power Control Option

XX

Valid option is no factory installed Power Control device is required for the panel. All transformers are HOT when panel is powered.

Also valid if Functional Devices PSH Series Combination Power Supplies are being used in lieu of standard foot mounted transformers.

Internal jumper allows receptacle to be continuously controlled by the switch.





EZ PANEL™ 4236

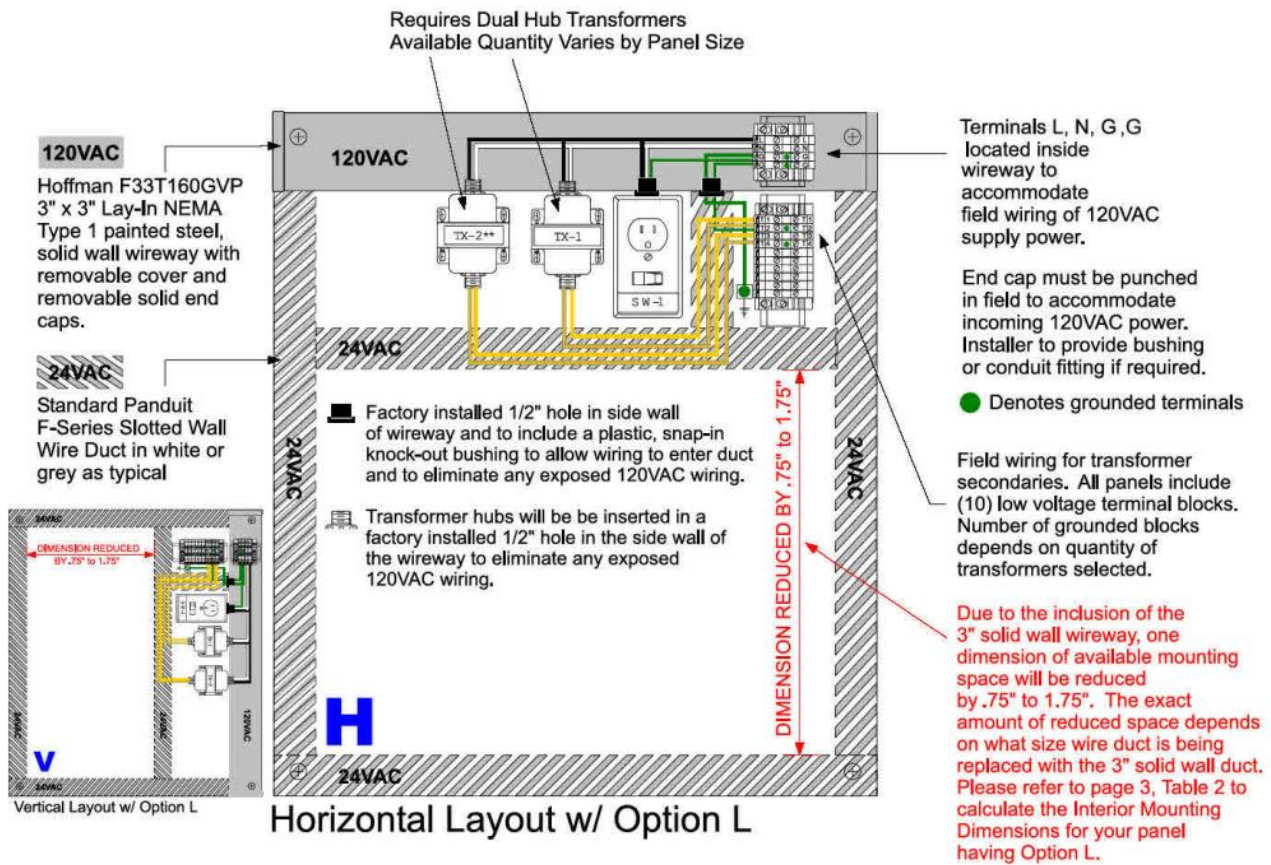
Custom prefabricated subpanel assemblies

Model Selection Guide

Option "L" Supplementary Specification

This is a supplementary specification guide and should be used in conjunction with the standard EZ Panel Model Selection Guides for each panel size offered in our product line. This document only applies to EZ Panels with "L" selected in the Options table. This design satisfies separation of circuits as well as strict panel standards which prohibit exposed 120VAC or line voltage wiring. Please note that choosing Option "L" dictates some panel choices and limits others. Specifying panels with this option reduces the standard available interior, module mounting space for all sizes and all applicable layouts. Please follow model selection instructions carefully.

Only Horizontal and Vertical layouts are shown below. However, Option "L" is available with every size and layout in the EZ Panel product line. Feature details shown on the horizontal layout are typical except that reduced interior mounting dimensions will vary depending on what size wire duct is replaced by the solid wall duct.





Custom prefabricated subpanel assemblies

Fill in the blanks to build your custom model number by selecting one Option from each Table

- Consult pages 4 thru 11 to select the Material, Layout, Power Control, and other Options that best suit your application.
- Example model number ... SUB-S-2420-HG-X-X-00-050-050

Table	Options	Model #	SUB	-	4836	--	-	-	--	---	---	---	---	---			
Type	SUB	Subpanel Assembly															
Material See page 3 Table 1	I C	Hoffman, A48P36, industrial, solid Hoffman, CP4836, Concept, solid											Cont'd Next Page	Cont'd Next Page	Cont'd Next Page	Cont'd Next Page	Cont'd Next Page
Size	4836	See Page 3, Table 2 for interior dimensions															
Layout See page 3 Table 2	HG HW VG VW DG DW EG EW	Horizontal layout "H" w/ grey Panduit F Series wire duct Horizontal layout "H" w/ white Panduit F Series wire duct Vertical layout "V" w/ grey Panduit F Series wire duct Vertical layout "V" w/ white Panduit F Series wire duct DIN rail layout "D" w/ grey Panduit F Series wire duct DIN rail layout "D" w/ white Panduit F Series wire duct Economy layout "E" w/ grey Panduit F Series wire duct Economy layout "E" w/ white Panduit F Series wire duct															
Approvals	X U	No approval required Meets 508A Standard for UL Listed Open Control Panel															
Options See page 4	X A B C D E F G H I J K L M N O	No option selected 3 amp DIN rail mounted circuit breaker substituted for terminal "L" 5 amp DIN rail mounted circuit breaker substituted for terminal "L" 10 amp DIN rail mounted circuit breaker substituted for terminal "L" 3 amp fuse holder terminal substituted for terminal "L" w/ 250V Slo-Blo fuse 5 amp fuse holder terminal substituted for terminal "L" w/ 250V Slo-Blo fuse 10 amp fuse holder terminal substituted for terminal "L" w/ 32V Slo-Blo fuse Switching terminal block substituted for each 24VAC hot terminal block Finger-safe terminal block cover, transparent (protects entire terminal strip) 10 extra terminals mounted on 12 inch DIN rail (shipped loose w/ mntg screws) 20 extra terminals mounted on 12 inch DIN rail (shipped loose w/ mntg screws) 40 extra terminals mounted on 12 inch DIN rail (shipped loose w/ mntg screws) Solid wall wire duct to enclose 120VAC circuits – see Supplementary Spec "L" 2x4 box w/ 2 gang Cat5E cover plate and jacks – ships loose w/ screws 2x4 box w/ 4 gang Cat5E cover plate and jacks – ships loose w/ screws 5ft Cat5E cable, male/male – ships loose															
Power Control See pages 5 & 6	XX DS DD FD DL	No factory mounted disconnect or receptacle required Used for SW-1, 15 amp disconnect & single receptacle w/ 2x4 box Used for SW-1, 15 amp disconnect & duplex receptacle w/ 4x4 box Used for SW-1, 10 amp Functional Devices PSPT2RB10 w/ 4x4 box Used for SW-1, 15 amp disconnect & duplex receptacle, indicator light, 10 amp fuse w/ 4x4 box															
Control Power Transformers & Pwr Supplies See page 7	000 040 050 075 100 D40 D50 D75 D10	No factory mounted transformer or power supply required Labeled TX-1, TR40VA001, 40VA, 120x24VAC Labeled TX-1, TR50VA001, 50VA, 120x24VAC, w/ circuit breaker Labeled TX-1, TR75VA001, 75VA, 120x24VAC, w/ circuit breaker Labeled TX-1, TR100VA001, 100VA, 120x24VAC, w/ circuit breaker Labeled TX-1, TR40VA001, 40VA, 120x24VAC, w/ circuit breaker, DUAL HUB Labeled TX-1, TR50VA001, 50VA, 120x24VAC, w/ circuit breaker, DUAL HUB Labeled TX-1, TR75VA001, 75VA, 120x24VAC, w/ circuit breaker, DUAL HUB Labeled TX-1, TR100VA001, 100VA, 120x24VAC, w/ circuit breaker, DUAL HUB															
Cont'd Next Page													Cont'd Next Page	Cont'd Next Page	Cont'd Next Page	Cont'd Next Page	Cont'd Next Page



EZ PANEL™ 4836

Model Selection Guide

Custom prefabricated subpanel assemblies

continued

Fill in the blanks to build your custom model number by selecting one Option from each Table

- Consult pages 4 thru 11 to select the Material, Layout, Power Control, and other Options that best suit your application.
- Example model number ... SUB-S-2420-HG-X-X-00-050-050

Table	Options	Model #	SUB	-	4836	--	-	-	--	---	---	---	---	---	
Control Power Transformers & Pwr Supplies See page 7	F04* F44* F47** F41* F07** F77** F71** F01* F11* I23 I26 I22 I21	TX-1, PSH40AB10, power supply, 120x24VAC, 40VA, w/ breaker & outlet TX-1/2, PSH40A40AB10, dual power supply, 120x24VAC, (2) 40VA, w/ breaker & outlet TX-1/2, PSH40A75AB10, dual power supply, 120x24VAC, 40VA/75VA, w/ breaker & outlet TX-1/2, PSH40A100AB10, dual power supply, 120x24VAC, 40VA/100VA, w/ breaker & outlet TX-1, PSH75AB10, power supply, 120x24VAC, 75VA, w/ breaker & outlet TX-1/2, PSH75A75AB10, dual power supply, 120x24VAC, (2) 75VA, w/ breaker & outlet TX-1/2, PSH75A100AB10, dual power supply, 120x24VAC, 75VA/100VA, w/ breaker & outlet TX-1, PSH100AB10, power supply, 120x24VAC, 100VA, w/ breaker & outlet TX-1/2, PSH100A100AB10, dual power supply, 120x24VAC, (2) 100VA, w/ breaker & outlet Labeled DC-1, HDR-30-24, 24 vdc power supply, 120VAC input, 30 watt, DIN mounted Labeled DC-1, HDR-60-24, 24 vdc power supply, 120VAC input, 60 watt, DIN mounted Labeled DC-1, HDR-100-24, 24 vdc power supply, 120VAC input, 100 watt, DIN mounted Labeled DC-1, NDR-120-24, 24 vdc power supply, 120VAC input, 120 watt, DIN mounted											Cont'd Next Page	Cont'd Next Page	Cont'd Next Page
Field or Auxiliary Power Transformers & Pwr Supplies See page 7	000 040 050 075 100 D40 D50 D75 D10 F04* F44* F47** F41* F07** F77** F01* F11* I23 I26 I22 I21	No factory mounted transformer or power supply required Labeled TX-2, TR40VA001, 40VA, 120x24VAC Labeled TX-2, TR50VA001, 50VA, 120x24VAC, w/ circuit breaker Labeled TX-2, TR75VA001, 75VA, 120x24VAC, w/ circuit breaker Labeled TX-2, TR100VA001, 100VA, 120x24VAC, w/ circuit breaker Labeled TX-2, TR40VA001, 40VA, 120x24VAC, w/ circuit breaker, DUAL HUB Labeled TX-2, TR50VA001, 50VA, 120x24VAC, w/ circuit breaker, DUAL HUB Labeled TX-2, TR75VA001, 75VA, 120x24VAC, w/ circuit breaker, DUAL HUB Labeled TX-2, TR100VA001, 100VA, 120x24VAC, w/ circuit breaker, DUAL HUB TX-2, PSH40AB10, power supply, 120x24VAC, 40VA, w/ breaker & outlet TX-2/3, PSH40A40AB10, dual power supply, 120x24VAC, (2) 40VA, w/ breaker & outlet TX-2/3, PSH40A75AB10, dual power supply, 120x24VAC, 40VA/75VA, w/ breaker & outlet TX-2/3, PSH40A100AB10, dual power supply, 120x24VAC, 40VA/100VA, w/ breaker & outlet TX-2, PSH75AB10, power supply, 120x24VAC, 75VA, w/ breaker & outlet TX-2/3, PSH75A75AB10, dual power supply, 120x24VAC, (2) 75VA, w/ breaker & outlet TX-2, PSH100AB10, power supply, 120x24VAC, 100VA, w/ breaker & outlet TX-2/3, PSH100A100AB10, dual power supply, 120x24VAC, (2) 100VA, w/ breaker & outlet Labeled DC-2, HDR-30-24, 24 vdc power supply, 120VAC input, 30 watt, DIN mounted Labeled DC-2, HDR-60-24, 24 vdc power supply, 120VAC input, 60 watt, DIN mounted Labeled DC-2, HDR-100-24, 24 vdc power supply, 120VAC input, 100 watt, DIN mounted Labeled DC-2, NDR-120-24, 24 vdc power supply, 120VAC input, 120 watt, DIN mounted											Cont'd Next Page	Cont'd Next Page	Cont'd Next Page

Notes * Option is not available if separate Power Control was selected
 ** Option is not available if separate Power Control was selected OR UL Listing is required



Fill in the blanks to build your custom model number by selecting one Option from each Table

- Consult pages 4 thru 11 to select the Material, Layout, Power Control, and other Options that best suit your application.
- Example model number ... SUB-S-2420-HG-X-X-00-050-050

Table	Options	Model #	SUB	-	4836	--	-	-	--	---	---	---	---	---
Field or Auxiliary Power Transformers & Pwr Supplies See page 7	000 040 050 075 100 D40 D50 D75 D10 F04* F07** F01* I23 I26 I22 I21	No factory mounted transformer or power supply required Labeled TX-3, TR40VA001, 40VA, 120x24VAC Labeled TX-3, TR50VA001, 50VA, 120x24VAC, w/ circuit breaker Labeled TX-3, TR75VA001, 75VA, 120x24VAC, w/ circuit breaker Labeled TX-3, TR100VA001, 100VA, 120x24VAC, w/ circuit breaker Labeled TX-3, TR40VA001, 40VA, 120x24VAC, w/ circuit breaker, DUAL HUB Labeled TX-3, TR50VA001, 50VA, 120x24VAC, w/ circuit breaker, DUAL HUB Labeled TX-3, TR75VA001, 75VA, 120x24VAC, w/ circuit breaker, DUAL HUB Labeled TX-3, TR100VA001, 100VA, 120x24VAC, w/ circuit breaker, DUAL HUB TX-3, PSH40AB10, power supply, 120x24VAC, 40VA, w/ breaker & outlet TX-3, PSH75AB10, power supply, 120x24VAC, 75VA, w/ breaker & outlet TX-3, PSH100AB10, power supply, 120x24VAC, 100VA, w/ breaker & outlet Labeled DC-3, HDR-30-24, 24 vdc power supply, 120VAC input, 30 watt, DIN mounted Labeled DC-3, HDR-60-24, 24 vdc power supply, 120VAC input, 60 watt, DIN mounted Labeled DC-3, HDR-100-24, 24 vdc power supply, 120VAC input, 100 watt, DIN mounted Labeled DC-3, NDR-120-24, 24 vdc power supply, 120VAC input, 120 watt, DIN mounted												
Field or Auxiliary Power Transformers & Pwr Supplies See page 7	000 040 050 075 100 D40 D50 D75 D10 I23 I26 I22 I21	No factory mounted transformer or power supply required Labeled TX-3, TR40VA001, 40VA, 120x24VAC Labeled TX-3, TR50VA001, 50VA, 120x24VAC, w/ circuit breaker Labeled TX-3, TR75VA001, 75VA, 120x24VAC, w/ circuit breaker Labeled TX-3, TR100VA001, 100VA, 120x24VAC, w/ circuit breaker Labeled TX-3, TR40VA001, 40VA, 120x24VAC, w/ circuit breaker, DUAL HUB Labeled TX-3, TR50VA001, 50VA, 120x24VAC, w/ circuit breaker, DUAL HUB Labeled TX-3, TR75VA001, 75VA, 120x24VAC, w/ circuit breaker, DUAL HUB Labeled TX-3, TR100VA001, 100VA, 120x24VAC, w/ circuit breaker, DUAL HUB Labeled DC-3, HDR-30-24, 24 vdc power supply, 120VAC input, 30 watt, DIN mounted Labeled DC-3, HDR-60-24, 24 vdc power supply, 120VAC input, 60 watt, DIN mounted Labeled DC-3, HDR-100-24, 24 vdc power supply, 120VAC input, 100 watt, DIN mounted Labeled DC-3, NDR-120-24, 24 vdc power supply, 120VAC input, 120 watt, DIN mounted												
Field or Auxiliary Power Transformers & Pwr Supplies See page 7	000 040 050 075 100 D40 D50 D75 D10 I23 I26 I22 I21	No factory mounted transformer or power supply required Labeled TX-3, TR40VA001, 40VA, 120x24VAC Labeled TX-3, TR50VA001, 50VA, 120x24VAC, w/ circuit breaker Labeled TX-3, TR75VA001, 75VA, 120x24VAC, w/ circuit breaker Labeled TX-3, TR100VA001, 100VA, 120x24VAC, w/ circuit breaker Labeled TX-3, TR40VA001, 40VA, 120x24VAC, w/ circuit breaker, DUAL HUB Labeled TX-3, TR50VA001, 50VA, 120x24VAC, w/ circuit breaker, DUAL HUB Labeled TX-3, TR75VA001, 75VA, 120x24VAC, w/ circuit breaker, DUAL HUB Labeled TX-3, TR100VA001, 100VA, 120x24VAC, w/ circuit breaker, DUAL HUB Labeled DC-3, HDR-30-24, 24 vdc power supply, 120VAC input, 30 watt, DIN mounted Labeled DC-3, HDR-60-24, 24 vdc power supply, 120VAC input, 60 watt, DIN mounted Labeled DC-3, HDR-100-24, 24 vdc power supply, 120VAC input, 100 watt, DIN mounted Labeled DC-3, NDR-120-24, 24 vdc power supply, 120VAC input, 120 watt, DIN mounted												

- Notes**
- * Option is not available if separate Power Control was selected
 - ** Option is not available if separate Power Control was selected OR UL Listing is required

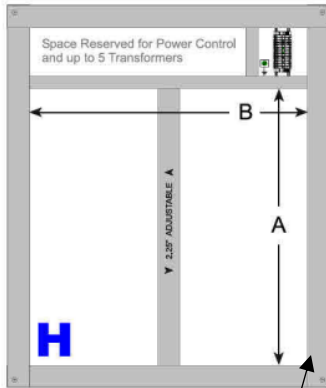


EZ PANEL™ 4836

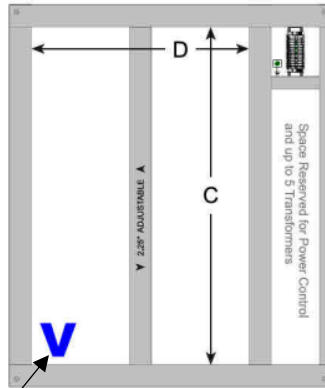
Model Selection Guide

Custom prefabricated subpanel assemblies

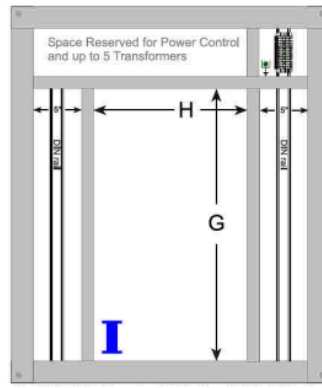
Subpanel Material and Layout Options



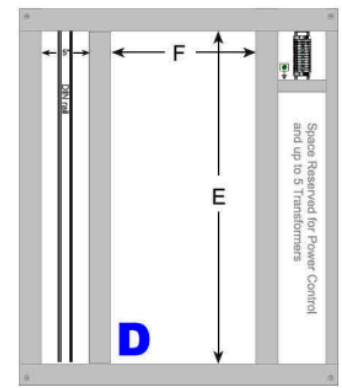
48 x 36 Horizontal Layout
w/ 2.25" x 3" and
1.25" x 3" Wire Duct



48 x 36 Vertical Layout
w/ 2.25" x 3" and
1.25" x 3" Wire Duct



48 x 36 DIN Rail Layout
w/ 2.25" x 3" and
1.25" x 3" Wire Duct



48 x 36 I/O DIN Rail Layout
w/ 2.25" x 3" and
1.25" x 3" Wire Duct

New Standard Feature
Layout now includes vertical section of wire duct shipped loose w/ mounting screws.
Provides greater flexibility and neater wiring for field installed components.

INSTRUCTIONS: Use Table 1 to select a subpanel that is compatible with your enclosure and NEMA rating. Insert the blue letter for Material Selection in the first highlighted field. Use the interior mounting dimensions in Table 2 to determine which Layout Configuration provides ample space to field mount and wire your components. Choose the blue letter for the appropriate layout drawing and insert this as the first character in the second highlighted field. The second character in this field will indicate wire duct color... "G" for grey or "W" for white.

NEW
Layout Option

Table	Options	Model #	SUB	I	4836	_	_	_	_	_	_	_	_	_
-------	---------	---------	-----	---	------	---	---	---	---	---	---	---	---	---

Material Selection from Table 1

Layout Config from Table 2 and Wire Duct Color

Table 1

Material Selection	Brand	Material	Color	Mfr Part #	Fits Enclosure	NEMA Rating
I	Hoffman	Solid	white	A48P36	Consult Hoffman	3R, 4, 12/13
C	Hoffman	solid	white	CP4836	CSD4836xx	4, 12

Table 2

Material Selection	Interior Mounting Dimensions in Inches							
	H – Horizontal Layout		V – Vertical Layout		D – DIN Rail Layout		A – Alt. DIN Rail Layout	
	A	B	C	D	E	F	G	H
I	34 -1/4 "	28 -1/2 "	40 -1/2 "	22 -1/4 "	40 -1/2 "	15 "	34 -1/4 "	14 "
C	35 -3/8 "	29 -5/8 "	41 -5/8 "	23 -3/8 "	41 -5/8 "	16 -3/16 "	35 -3/8 "	15 -3/16 "



Table	Options	Model #	SUB	_	4836	_	_	*	_	_	_	_	_	_
-------	---------	---------	-----	---	------	---	---	---	---	---	---	---	---	---

Select (1) Option and insert the letter to fill in the highlighted field / of the EZ Panel model number

MODEL SELECTION NOTES

- Note 1:** Insert the letter "X" in this field of the EZ Panel model number if no Option is required.
Note 2: All Options are available individually. If more than (1) Option is required, simply order the additional Options using the prefix "EZ-".

Example: If your panel requires a 10 amp circuit breaker... capability to isolate the 24VAC circuits... and (20) extra terminal blocks... you would order (3) items as follows:

- SUB - P - 4836 - HG - X - C - DS -100 - 100 - 100 - 100 - 100
- EZ - G
- EZ - J

Note 3: Photo Shown as typical for panels having (2) transformers

3 AMP Breaker



3 amp DIN rail mounted circuit breaker substituted for terminal "L"



*See Note 3

5 AMP Breaker



5 amp DIN rail mounted circuit breaker substituted for terminal "L"



*See Note 3

10 AMP Breaker



10 amp DIN rail mounted circuit breaker substituted for terminal "L"



*See Note 3

3 AMP Fuse Holder



3 amp fuse holder terminal with fast-blo fuse substituted for terminal "L"



*See Note 3

5 AMP Fuse Holder



5 amp fuse holder terminal with fast-blo fuse substituted for terminal "L"



*See Note 3

10 AMP Fuse Holder



10 amp fuse holder terminal with fast-blo fuse substituted for terminal "L"



*See Note 3

Isolate 24VAC Circuit



Switching terminal block substituted for each 24VAC hot terminal block



*See Note 3

Terminal Cover



Transparent finger-safe terminal block cover. Threaded nylon nuts must be removed to access terminal block.



Continued on next page



10 Extra Terminals



10 numbered terminal blocks mounted on a 12" section of DIN rail shipped loose with mtg screws (required field installation)



*See Note 3

20 Extra Terminals



20 numbered terminal blocks mounted on a 12" section of DIN rail shipped loose with mtg screws (required field installation)



*See Note 3

40 Extra Terminals



40 numbered terminal blocks mounted on a 12" section of DIN rail shipped loose with mtg screws (required field installation)



*See Note 3

Isolated 120VAC



Solid wall wire duct to isolate line voltage terminal blocks and all 120VAC circuits. See Supplementary Spec "L" on page...



*See Note 3

2 Gang Cat5E



Two gang plastic cover plate with (2) Cat5E jacks mounted on a 2x4 handi-box. Items ship loose w/ mtg screws.



*See Note 3

4 Gang Cat5E



Four gang plastic cover plate with (4) Cat5E jacks mounted on a 2x4 handi-box. Items ship loose w/ mtg screws.



*See Note 3

Cat5E Cable



5ft Cat5E, male/male cable shipped loose.



*See Note 3



EZ PANEL™ 4836

Custom prefabricated subpanel assemblies

Model Selection Guide

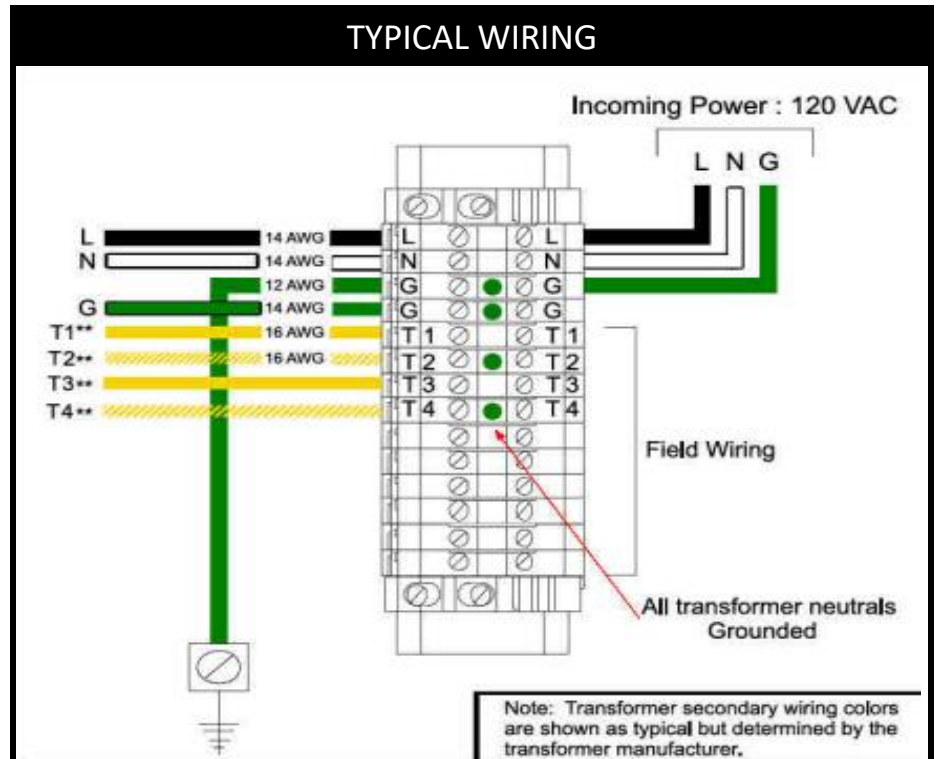
Power Control Options

Table	Options	Model #	SUB	_	4836	_	_	_	_	_	_	_
-------	---------	---------	-----	---	------	---	---	---	---	---	---	---

Select (1) Option and insert the letters to fill in the highlighted field of the EZ Panel model number

4 OPTIONS AVAILABLE

	DS
	DD
	FD
	DL



TERMINAL ASSEMBLY

Shown for (2) transformers

Bill of Materials		
COMPONENT	MANUFACTURER	PART NO.
Terminal Block	Entrelec	11511607
End Plate	Entrelec	11836816
End Stop	Entrelec	20635116
Marking Cards	Entrelec	23300001
Jumper Bar	Entrelec	17478420
Jumper Post	Entrelec	16860416
Ground Lug	IlSCO	CP-4



MODEL SELECTION NOTES

* Power control (SW-1) is optional

If no Power Control is selected, insert the letters **XX** in the highlighted field of the EZ Panel Model Number.

If no Power Control is selected, but factory mounted transformers are still required; transformers will be wired directly to the L and N terminals and will be continuously HOT when the panel is powered.

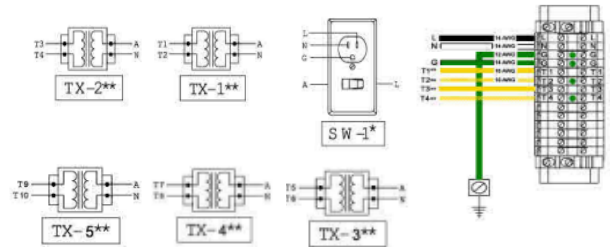
Inserting XX in this field is mandatory if Functional Devices PSH Series Combination Power Supplies are being used in lieu of standard foot mounted transformers. See below for related wiring schematics.

* * Transformers (TX-#) are optional

Every panel includes (14) total terminal blocks regardless of the transformer quantity chosen. If the maximum number of transformers is not selected, the unused terminals will include blank markers and will be available for other field terminations is required.

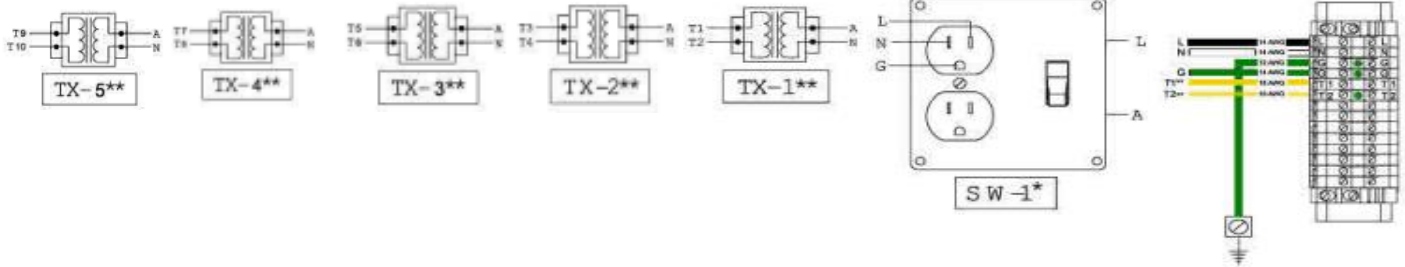
Power Control Option

15 amps
2 x 4 steel box w/ cover



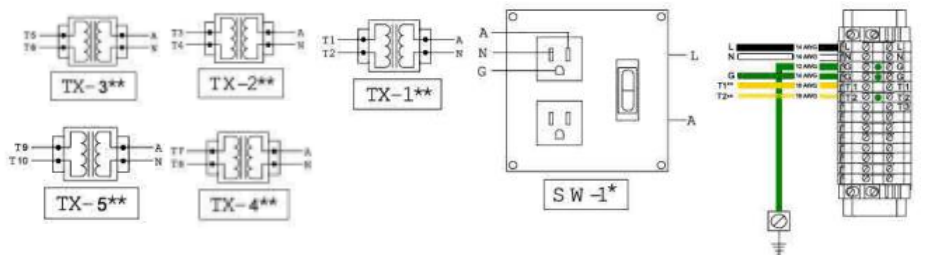
Power Control Option

15 amps
4 x 4 steel box w/ cover



Power Control Option

Functional Devices p/n:
PSPT2RB10
10 amps
4 x 4 plastic box w/ cover



Internal jumper allows receptacle to be continuously controlled by the switch

See next page for more Power Control Options

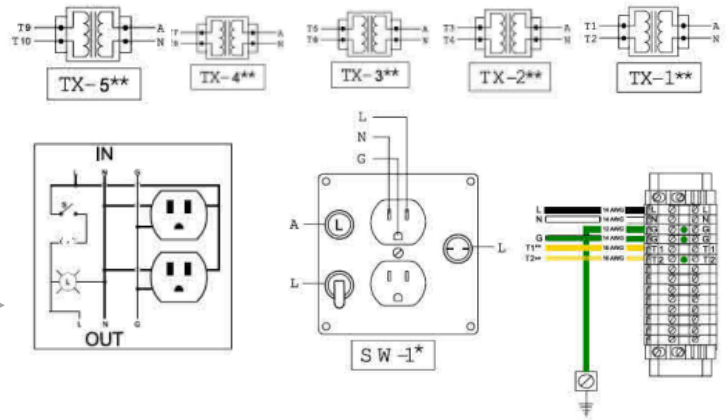


Power Control Option

DL

- 15 amp rated components
- 4 x 4 steel box w/ cover
- * Includes red indicator light
- * Includes fuse holder w/ 10 amp fuse

Supplemental internal wiring diagram for Power Control Option DL only



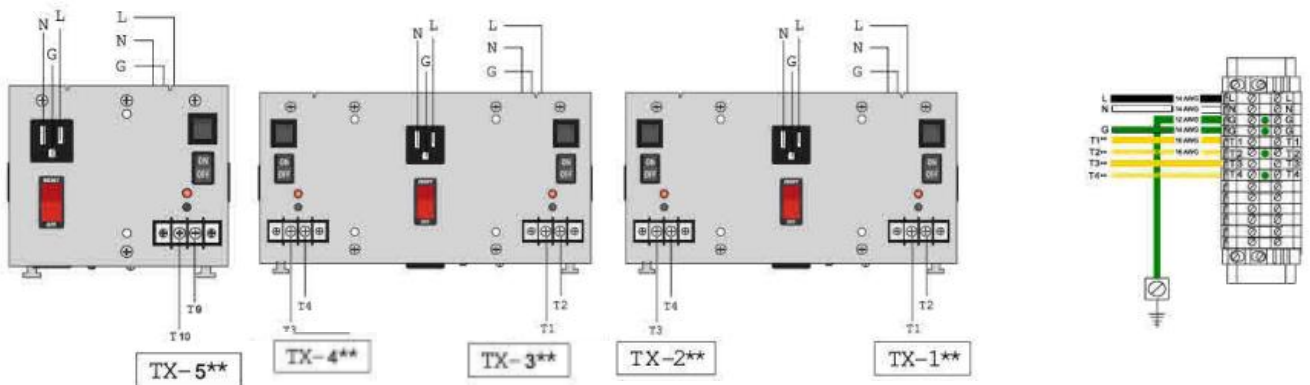
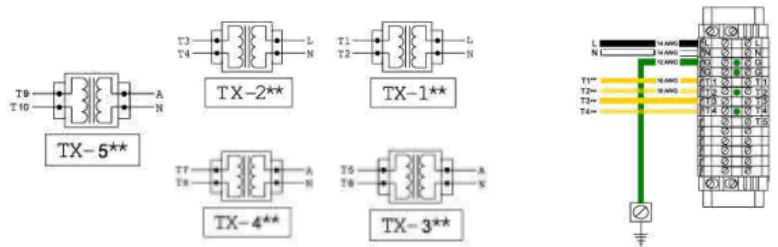
Power Control Option

XX

Valid option is no factory installed Power Control device is required for the panel. All transformers are HOT when panel is powered.

Also valid if Functional Devices PSH Series Combination Power Supplies are being used in lieu of standard foot mounted transformers.

Internal jumper allows receptacle to be continuously controlled by the switch.





EZ PANEL™ 4836

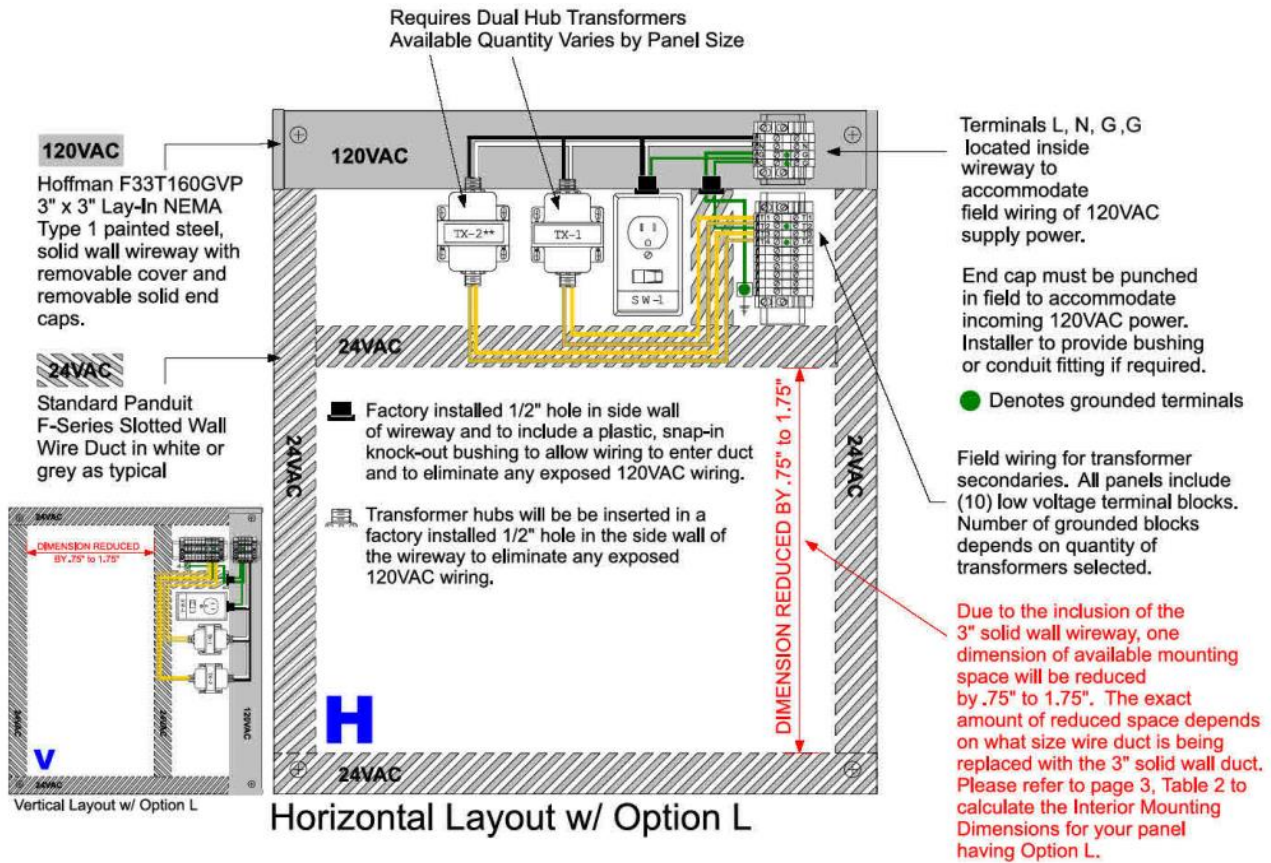
Custom prefabricated subpanel assemblies

Model Selection Guide

Option "L" Supplementary Specification

This is a supplementary specification guide and should be used in conjunction with the standard EZ Panel Model Selection Guides for each panel size offered in our product line. This document only applies to EZ Panels with "L" selected in the Options table. This design satisfies separation of circuits as well as strict panel standards which prohibit exposed 120VAC or line voltage wiring. Please note that choosing Option "L" dictates some panel choices and limits others. Specifying panels with this option reduces the standard available interior, module mounting space for all sizes and all applicable layouts. Please follow model selection instructions carefully.

Only Horizontal and Vertical layouts are shown below. However, Option "L" is available with every size and layout in the EZ Panel product line. Feature details shown on the horizontal layout are typical except that reduced interior mounting dimensions will vary depending on what size wire duct is replaced by the solid wall duct.



Panel Receptacle & Switch Assemblies

EZ PANEL SOLUTIONS

Panel Fab receptacle and disconnect assemblies provide you with another time-saving solution for your panel fabrication. Seven different models offer convenience and functionality for every panel application.

All models feature UL Listed commercial grade components and are prewired with push-on connectors for fast field installation.



EZ-DL

Disconnect, Light, Fuse, Receptacle



EZ-DF

Disconnect, Fuse, Receptacle



EZ-DD

Disconnect & Duplex Receptacle



EZ-DS

Disconnect & Single Receptacle



EZ-TL

Toggle Switch & Light



EZ-TO

Toggle Switch Only



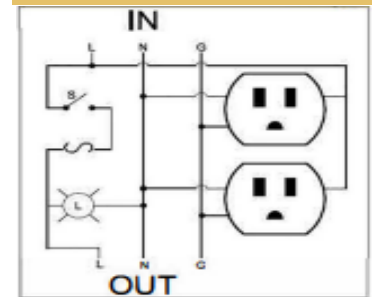
EZ-RO

Receptacle Only

Features

- Prewired with convenient quick connectors
- Includes non-conductive toggle switch boot
- Includes 10 amp fuse
- Saves time and money

Wiring



Specs

Power Rating	120VAC
Disconnect / Switch	15A @ 120VAC
Duplex Receptacle	15A @ 120VAC
Switch/Recep (for os only)	15A @ 120VAC
Neon Indicator Light	1/3W @ 120VAC
Fuse	Buss AGC-10, 250V, 10Amp, fast-blo (included) 0.5-20A (ordered separately)
Wire	14 AWG UL THHN
Dimensions	
EZ - DL, DF, DD	4" W X 4" H
EZ - DS, TL, TO, RO	2" W X 4" H

CAUTION: Receptacle is always Hot

Replacement Parts	Item Number
Red Indicator Light	EZ - RIL

Panel Accessories

All options and panel fabrication components are available individually. This allows you the flexibility to further customize your new EZ Panel or field modify one that has already been installed.

EZ PANEL OPTIONS	Choices from the Options Table in the EZ Panel Model Selection Guide are available for individual sale. (Exception: Option "L" is not available for individual sale and must be factory installed.) Refer to manufacturer for additional specifications.			
EZ Panel Option	Description	Manufacturer	Mfr P/N	Panel Fab Order #
A	3A DIN rail circuit breaker	Entelec	SU201M-C3A	EZ-A
B	5A DIN rail circuit breaker	Entelec	SU201M-C5A	EZ-B
C	10A DIN rail circuit breaker	Entelec	SU201M-C10A	EZ-C
D	3A fuse holder terminal w/ 250V Slo-Blo fuse	Entelec	1156725	EZ-D
		Littelfuse	0313003.HXP	(1) Included in above
E	5A fuse holder terminal w/ 250V Slo-Blo fuse	Entelec	1156725	EZ-E
		Littelfuse	0313005.HXP	(1) Included. in above
F	10A fuse holder terminal w/ 32V Slo-Blo fuse	Entelec	1156725	EZ-F
		Littelfuse	0313010.HXP	(1) Included in above
G	Switching terminal block, 6mm, 600V, 10A rating	Entelec	11543812	EZ-G
H	Finger-safe terminal block cover (5" long) w/ end plates	Entelec	17681612	EZ-H
		Entelec	11679511	(2) Included in above
I	10 numbered terminal blocks mounted on 12" DIN rail - ships loose with mounting screws	Entelec	11511607	EZ-I
	Terminal end stop	Entelec	20635116	(2) Included in above
	Terminal end plate	Entelec	11836816	(1) Included in above
	Terminal markers (blank and custom printed 1-10)	Entelec	23300001	Included in above
	DIN rail	Weidmuller	54150	12" Included in above
J	20 numbered terminal blocks mounted on 12" DIN rail - ships loose with mounting screws	Entelec	11511607	EZ-J
	Terminal end stop	Entelec	20635116	(2) Included in above
	Terminal end plate	Entelec	11836816	(1) Included in above
	Terminal markers (blank and custom printed 1-10)	Entelec	23300001	Included in above
	DIN rail	Weidmuller	54150	12" Included in above
K	40 numbered terminal blocks mounted on 12" DIN rail - ships loose with mounting screws	Entelec	11511607	EZ-K
	Terminal end stop	Entelec	20635116	(2) Included in above
	Terminal end plate	Entelec	11836816	(1) Included in above
	Terminal markers (blank and custom printed 1-10)	Entelec	23300001	Included in above
	DIN rail	Weidmuller	54150	12" Included in above
M	2x4 handi-box with 2-gang Cat5E cover plate and jacks - ships loose with mounting screws	See below	See below	EZ-M
	2x4 steel handi-box, 1-7/8" deep w/ knockouts	Steel City	STC58371	(1) Included in above
	2-gang, plastic ivory cover plate	Legrand	CAT45080-2IP	(1) Included in above
	Cat5E modular snap-in jack	Optical Cable Corp	KMJVL8A/BO5	(2) Included in above
N	2x4 handi-box with 4-gang Cat5E cover plate and jacks - ships loose with mounting screws	See below	See below	EZ-N
	2x4 steel handi-box, 1-7/8" deep w/ knockouts	Steel City	STC58371	(1) Included in above
	4-gang, plastic ivory cover plate	Legrand	CAT45080-4IP	(1) Included in above
	Cat5E modular snap-in jack	Optical Cable Corp	KMJVL8A/BO5	(4) Included in above
O	5 ft Cat5E cable, male/male, ships loose	Weltron Products	90-C5E-5BL	EZ-O

Panel Accessories

continued

POWER CONTROL	All EZ Panel Receptacle and Switch Assemblies are available for individual sale. Items marked with an (*) are also available as a factory installed EZ Panel option. Refer to EZ Panel Model Selection Guide for additional specifications.			
EZ Panel Option	Description	Manufacturer	Mfr P/N	Panel Fab Order #
DS*	15A disconnect & single outlet w/ 2x4 box	Panel Fab	EZ-DS	EZ-DS
DD*	15A disconnect & duplex outlet w/ 4x4 box	Panel Fab	EZ-DD	EZ-DD
FD*	10A Functional Devices PSPT2RB10	Functional Devices	EZ-FD	EZ-FD
DL*	15A disconnect & duplex outlet w/ 10A fuse, indicator light, and 4x4 box	Panel Fab	EZ-DL	EZ-DL
EZ Receptacle and Switch Assemblies	Description	Manufacturer	Mfr P/N	Panel Fab Order #
DF	15A disconnect & duplex outlet w/ indicator light and 2x4 box	Panel Fab	EZ-DF	EZ-DF
TL	15A toggle switch and red indicator light mounted to a steel cover plate w/ 2x4 box	Panel Fab	EZ-TL	EZ-TL
TO	15A toggle switch mounted to a steel cover plate w/ 2x4 box	Panel Fab	EZ-TO	EZ-TO
RO	15A duplex receptacle mounted to a steel cover plate w/ 2x4 box	Panel Fab	EZ-RO	EZ-RO

CONTROL POWER	All EZ Panel Control Power Options are available for individual sale. Refer to EZ Panel Model Selection Guide and the manufacturer for additional specifications.			
EZ Panel Option	Description	Manufacturer	Mfr P/N	Panel Fab Order #
040	120x24VAC, 40VA, single hub transformer	Functional Devices	TR40VA001	EZ-040
050	120x24VAC, 50VA, single hub transformer	Functional Devices	TR50VA001	EZ-050
075	120x24VAC, 75VA, single hub transformer	Functional Devices	TR75VA001	EZ-075
100	120x24VAC, 100VA, single hub transformer	Functional Devices	TR100VA001	EZ-100
D40	DUAL HUB Transformer, 120x24VAC, 40VA	Functional Devices	TR40VA002	EZ-D40
D50	DUAL HUB Transformer, 120x24VAC, 50VA	Functional Devices	TR50VA002	EZ-D50
D75	DUAL HUB Transformer, 120x24VAC, 75VA	Functional Devices	TR75VA002	EZ-D75
D10	DUAL HUB Transformer, 120x24VAC, 100VA	Functional Devices	TR100VA002	EZ-D10
F04	Enclosed power supply, 120x24VAC, 40VA, 10A switch/breaker, 120VAC outlet	Functional Devices	PSH40AB10	EZ-F04
F44	Enclosed dual power supply, 120x24VAC, (2) 40VA, 10A switch/breaker, 120VAC outlets	Functional Devices	PSH40A40AB10	EZ-F44
F47	Enclosed dual power supply, 120x24VAC, 40VA/75VA, 10A switch/breaker, 120VAC outlets	Functional Devices	PSH40A75AB10	EZ-F47
F41	Enclosed dual power supply, 120x24VAC, 40VA/100VA, 10A switch/breaker, 120VAC outlets	Functional Devices	PSH40A100AB10	EZ-F41
F07	Enclosed power supply, 120x24VAC, 75VA, 10A switch/breaker, 120VAC outlet	Functional Devices	PSH75AB10	EZ-F07
F71	Enclosed dual power supply, 120x24VAC, 75VA/100VA, 10A switch/breaker, 120VAC outlets	Functional Devices	PSH75A100AB10	EZ-F71
F01	Enclosed power supply, 120x24VAC, 100VA, 10A switch/breaker, 120VAC outlet	Functional Devices	PSH100AB10	EZ-F01
F11	Enclosed dual power supply, 120x24VAC, (2) 100VA, 10A switch/breaker, 120VAC outlets	Functional Devices	PSH100A100AB10	EZ-F11
I23	24vdc power supply, 120VAC input, 30W, Din-mounted	MeanWell	HDR-30-24	EZ-I23
I26	24vdc power supply, 120VAC input, 60W, Din-mounted	MeanWell	HDR-60-24	EZ-I26
I22	24vdc power supply, 120VAC input, 100W, Din-mounted	MeanWell	HDR-100-24	EZ-I22
I21	24vdc power supply, 120VAC input, 120W, Din-mounted	MeanWell	NDR-120-24	EZ-I21

Panel Accessories

continued

PANEL FABRICATION COMPONENTS	All components used in manufacturing EZ Panels are available for individual sale, so you can further customize your panel. Refer to EZ Panel Model Selection Guide for additional specifications.			
Item	Description	Manufacturer	Mfr P/N	Panel Fab Order #
Grey Wire Duct	1.25" wide x 3" tall, narrow slot, 6'-6" section, grey	Panduit	F1X3LG6	F1X3LG6
	1.25" wire duct cover, 6'-6" section, grey	Functional Devices	C1LG6	C1LG6
	2.25" wide x 3" tall, narrow slot, 6'-6" section, grey	Functional Devices	F2X3LG6	F2X3LG6
	2.25" wire duct cover, 6'-6" section, grey	Functional Devices	C2LG6	C2LG6
White Wire Duct	1.25" wide x 3" tall, narrow slot, 6'-6" section, white	Functional Devices	F1X3Wh6	F1X3Wh6
	1.25" wire duct cover, 6'-6" section, white	Functional Devices	C1WH6	C1WH6
	2.25" wide x 3" tall, narrow slot, 6'-6" section, white	Functional Devices	F2X3WH6	F2X3WH6
	2.25" wire duct cover, 6'-6" section, white	Functional Devices	C2WH6	C2WH6
DIN Rail	Steel DIN rail, 6'-6" section	Weidmuller	51450	51450
Ground Lug	Copper with slotted screw clamp, UL Listed for only (1) wire	IlSCO	CP-4	L70
Terminal Blocks	6mm, DIN mounted grey block with screw clamp	Entrelec	11511607	11511607
Terminal End Plate	6mm, grey end plate used for last terminal on strip	Entrelec	11836816	11836816
Terminal End Stop	Grey end clamp with slotted screw, (2) required per strip	Entrelec	20635116	20635116
Jumper Bar	20 pole steel jumper bar, can be cut to length	Entrelec	17478420	17478420
Jumper Post/Screw	20 count bag of post and screws required for jumper bar	Entrelec	16860416	16860416
Terminal Markers	50 count blank marking card for terminal blocks	Entrelec	RC610-B	RC610-B
	Marking card printed with (5) rows of #1 thru #10	Entrelec	RC610-1/10	RC610-1/10
	Marking card printed #1 thru #50	Entrelec	RC610-1/50	RC610-1/50
	Marking card printed #51 thru #100	Entrelec	RC610-51/100	RC610-51/100
	Marking card printed #101 thru #200	Entrelec	RC610-101/200	RC610-101/200

Enclosure Selection Guide

Use the “Size” and “Material Selection” from your EZ Panel model number to identify a compatible enclosure based on NEMA rating and depth. Enclosures are available for individual sale and always ship separate from EZ Panels.



NEMA 1					
Hinged-cover, Type 1 Enclosures with gray powder paint finish inside and out. Mounting holes located on the back of the enclosure. Includes ¼ turn latch.					
EZ Panel H x W	Material Selection	Subpanel Number	6” Deep Enclosure	8” Deep Enclosure	9” Deep Enclosure
20x16	P or S	A20N16MPP or A20N16MP	A20N16ALP	A20N16BLP	n/a
20x20	P or S	A20N20MPP or A20N20MP	A20N20ALP	A20N20BLP	n/a
24x20	P or S	A24N20MPP or A24N20MP	A24N20ALP	A24N20BLP	n/a
24x24	P or S	A24N24MPP or A24N24MP	A24N24ALP	A24N24BLP	n/a
30x24	P or S	A30N24MPP or A30N24MP	A30N24ALP	A30N24BLP	n/a
36x24	P or S	A36N24MPP or A36N24MP	A36N24ALP	A36N24BLP	n/a
36x30	P or S	A36N30MPP or A36N30MP	A36N30ALP	A36N30BLP	n/a
42x30	I	A42P30	n/a	n/a	A42N3009
42x36	I	A42P36	n/a	n/a	A42N3609
48x36	I	A48P36	n/a	n/a	A48N3609
Accessories:	Cylinder Lock Kit: p/n AL12AR (sold separately and requires field installation.)				
Options:	All Hoffman enclosure sizes and accessories are available. Please call for pricing.				



NEMA 3R						
Hinged-cover, Type 3R Enclosures with gray powder paint finish inside and out. Manufactured with top drip shield and seam-free side, front and back. Top includes rear tab for external mounting. Includes captive screw closure and hasp.						
EZ Panel H x W	Material Selection	Subpanel Number	6” Deep Enclosure	8” Deep Enclosure	10” Deep Enclosure	12” Deep Enclosure
20x16	I	A20P16	A20R166HCR	n/a	n/a	n/a
20x20	I	A20P20	n/a	A20R208HCR	n/a	n/a
24x20	I	A24P20	n/a	A24R208HCR	n/a	n/a
24x24	I	A24P24	n/a	A24R248HCR	A24R2410HCR	n/a
30x24	I	A30P24	n/a	A30R248HCR	A30R2410HCR	n/a
36x24	I	A36P24	n/a	n/a	n/a	A36R2412HCR
36x30	I	A36P30	n/a	n/a	n/a	A36R3012HCR
42x30	I	A42P30	n/a	n/a	n/a	A42R3012HCR
42x36	I	A42P36	n/a	n/a	n/a	A42R3612HCR
48x36	I	A48P36	n/a	n/a	n/a	A48R3612HCR
Options:	All Hoffman enclosure sizes and accessories are available. Please call for pricing.					



NEMA 4				
Hinged, Flanged, Gasketed Cover. Type 4 Enclosures with external wall mount brackets and gray powder paint finish inside and out. Includes screw-clamp closure and hasp.				
EZ Panel H x W	Material Selection	Subpanel Number	6” Deep Enclosure	8” Deep Enclosure
20x16	I	A20P16	A20H16ALP	A20H16BLP
20x20	I	A20P20	A20H20ALP	A20H20BLP
24x20	I	A24P20	A24H20ALP	A24H20BLP
24x24	I	A24P24	A24H24ALP	A24H24BLP
30x24	I	A30P24	A30H24ALP	A30H24BLP
36x24	I	A36P24	A36H24ALP	A36H24BLP
36x30	I	A36P30	n/a	A36H30BLP
42x30	I	A42P30	n/a	A42H30BLP
42x36	I	A42P36	n/a	A42H36BLP
48x36	I	A48P36	n/a	A48H36BLP
Options:	All Hoffman enclosure sizes and accessories are available. Please call for pricing.			



Enclosure Selection Guide

continued

NEMA 12		Hinged, Flanged, Gasketed Cover. Type 12 Enclosures with external wall mount brackets and gray powder paint finish inside and out. Includes screw-clamp closure and hasp.			
EZ Panel H x W	Material Selection	Subpanel Number	6" Deep Enclosure	8" Deep Enclosure	10" Deep Enclosure
20x16	I	A20P16	A201606LP	A201608LP	A201610LP
20x20	I	A20P20	A202006LP	A202008LP	A202010LP
24x20	I	A24P20	A242006LP	A242008LP	A242010LP
24x24	I	A24P24	A242406LP	A242408LP	A242410LP
30x24	I	A30P24	A302406LP	A302408LP	A302410LP
36x24	I	A36P24	A362406LP	A362408LP	A362410LP
36x30	I	A36P30	A363006LP	A363008LP	A363010LP
42x30	I	A42P30	n/a	A423008LP	A423010LP
42x36	I	A42P36	n/a	A423608LP	A423610LP
48x36	I	A48P36	n/a	A483608LP	A483610LP
Options:	All Hoffman enclosure sizes and accessories are available. Please call for pricing.				



NEMA 4/12 CONCEPT		Hinged, Gasketed Cover. Type 4 and 12 Enclosures with gray powder paint finish inside and out. Mounting holes located on the back of the enclosure. Includes ¼ turn latch.			
EZ Panel H x W	Material Selection	Subpanel Number	6" Deep Enclosure	8" Deep Enclosure	10" Deep Enclosure
20x16	C	CP2016	CSD20166	CSD20168	CSD201610
20x20	C	CP2020	CSD20206	CSD20208	CSD202010
24x20	C	CP2420	CSD24206	CSD24208	CSD242010
24x24	C	CP2424	CSD24246	CSD24248	CSD242410
30x24	C	CP3024	n/a	CSD30248	CSD302410
36x24	C	CP3624	n/a	CSD36248	CSD362410
36x30	C	CP3630	n/a	CSD36308	CSD363010
42x30	C	CP4230	n/a	n/a	CSD423010
42x36	C	CP4236	n/a	n/a	CSD423610
48x36	C	CP4836	n/a	n/a	CSD483610
Accessories:	Handle Lock Kit: p/n CWHK (sold separately and requires field installation.)				
Options:	All Hoffman enclosure sizes and accessories are available. Please call for pricing.				



TERMS AND CONDITIONS

NOTICE:

Orders are accepted with the understanding that items will be billed at the price in effect on the day of order entry.

PLEASE INSPECT THE SHIPMENT IMMEDIATELY

Panel Fab, Inc. tries to ensure that your shipment has been made to the highest standards of quality. In the event that an error or damage occurs, the following procedure must be followed:

Any damage or loss incurred in transit is the responsibility of the carrier.

Damage/Loss

UPS or other Parcel Shipments

1. Notify freight carrier driver at time of delivery if any carton shows physical damage.
2. Notify Panel Fab customer service department @470-412-0173 within 5 days of delivery.
3. Retain the merchandise AND packing material for inspection by the carrier.

Common Carrier (truck) Shipments

1. Notify freight carrier driver at time of delivery if any carton or crate shows physical damage.
2. Notify Panel Fab customer service department @470-412-0173 within 5 days of delivery.
3. For common carrier claims, the carrier requires the recipient of the merchandise to file claims and receive reimbursement. Panel Fab, Inc. cannot file the claim and therefore cannot issue credit to your account. You must contact the carrier and file the claim directly to be reimbursed. Failure to follow these instructions may result in forfeiture of monies due to you.

CREDIT

New customers or accounts considered inactive are required to apply for credit in order to place an order. To apply for a credit account, please contact the Panel Fab customer service department, and a Credit Application will be provided to you. Credit Applications can be submitted via email to sales@panelfabricator.com.

TERMS

Net 30 day terms will be granted for all customers who have submitted a credit application. A 50% deposit may be required for custom panel projects.

PRICES

All prices are subject to change without notice.
No deduction will be allowed at settlement.
All orders are subject to a \$25.00 minimum.

WARRANTY

All merchandise is produced to standard and commercial tolerances. Panel Fab warrants products to be free from defects in workmanship and material. Warranties for panel components manufactured by others will carry that manufacturer's warranty. When Panel Fab has determined that a product or panel component is defective, they will, at their discretion, ship a replacement part or issue a credit to your account for the cost of the defective item. Warranty coverage does not cover any labor as required to troubleshoot, or replace defective components. Any return shipment to Panel Fab for completed panels or components will be done at the customer's expense. No other warranty is expressed or implied.

LIABILITY

The customer shall test and verify the suitability of the product for the intended use. No warranty for intended use is made. The customer assumes all risk and liability. Panel Fab's only obligation is replacement or credit for product proven defective. Panel Fab shall not be liable for any loss or damage from the use or inability to use the product.

RETURNED GOODS

ALL SALES ARE FINAL - RETURNS WILL BE AT PANEL FAB'S DISCRETION. Do not return any merchandise for any reason without first calling our customer service department at 470-412-0173. All unauthorized returns will be refused at our dock. Stock items ordered in error may be returned at customer expense for credit within 30 days and are subject to a 20% restocking fee. EZ Panels may be returned at customer expense for credit within 30 days and are subject to a 30% restocking fee. Returns over 30 days from invoice date will not be accepted. All returned items must be in resaleable condition. Please have our invoice number available when calling to request any return. Custom panels cannot be returned.

Note: Any products altered by the customer are not returnable.

Need a control panel?

Interested in becoming a distributor?

Contact us today!

PANEL FAB, INC.

Address: 10 Crosby Road, Dover NH 03820

Phone: 470-412-0173

Email: sales@panelfabricator.com

