



Panel Receptacle & Switch Assemblies

Make the Switch

Panel Fab receptacle and disconnect assemblies provide you with another time saving solution for your panel fabrication. Seven different models offer convenience and functionality for every panel application. All models feature UL Listed commercial grade components and are prewired with push-on connectors for fast field installation.

EZ PANEL Solutions



EZ-DL

Disconnect, Light, Fuse, Receptacle



EZ-DF

Disconnect, Fuse, Receptacle



EZ-DD

Disconnect & Duplex Receptacle



EZ-DS

Disconnect & Single Receptacle



EZ-TL

Toggle Switch & Light



EZ-TO

Toggle Only



EZ-RO

Receptacle Only

features

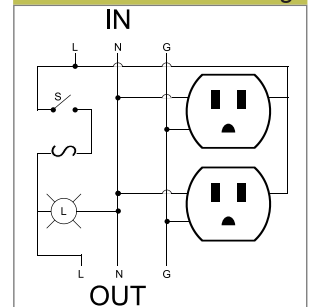
Prewired with convenient quick connectors

Includes non-conductive toggle switch boot

Includes 10 amp fuse

Saves time and money

wiring



specs

Power Rating	120VAC
Disconnect / Switch	15A @ 120VAC
Duplex Receptacle	15A @ 120VAC
Switch/Recep (for DS only)	15A @ 120VAC
Neon Indicator Light	1/3W @ 120VAC
Fuse	Buss AGC-10, 250V, 10Amp, fast-blo (included) 0.5-20A (ordered separately) 14 AWG UL THHN
Wire	
Dimensions	
EZ - DL, DF, DD	4" W x 4" H
EZ - DS, TL, TO, RO	2" W x 4" H

CAUTION: Receptacle is Always Hot

Replacment Parts	Item Number
Red indicator light	EZ - RIL