



EZ Panel™ 2424

Model Selection Guide

custom prefabricated subpanel assemblies

| Fill in the blanks to build your custom model number by selecting one Option from each Table | | | | | | | | | | | | |
|--|---|---|-----|------|--|--|--|--|--|--------|--------------|--------------|
| Consult pages 3 thru 8 to select the Material, Layout, Power Control, and other Options that best suit your application Example model number...SUB-P-2424-HG-X-X-DD-050-050-050 | | | | | | | | | | | | |
| Table | Options | Model # | SUB | 2424 | | | | | | | | |
| Type | SUB | Subpanel assembly | | | | | | | | | Cont'd | Cont'd |
| Material see page 3 Table 1 | P | Hoffman, A24N24MPP, perf, Nema | | | | | | | | | Next Page | Next Page |
| | S | Hoffman, A24N24MP, solid, Nema 1 | | | | | | | | | | |
| | I | Hoffman, A24P24, industrial, solid | | | | | | | | | | |
| | C | Hoffman, CP2424, Concept, solid | | | | | | | | | | |
| Size | 2424 | see page 3, Table 2 for interior dimensions | | | | | | | | | | |
| Layout see page 3 Table 2 | HG | Horizontal layout "H" w/ grey Panduit F Series wire duct | | | | | | | | | | |
| | HW | Horizontal layout "H" w/ white Panduit F Series wire duct | | | | | | | | | | |
| | VG | Vertical layout "V" w/ grey Panduit F Series wire duct | | | | | | | | | | |
| | VW | Vertical layout "V" w/ white Panduit F Series wire duct | | | | | | | | | | |
| | DG | DIN rail layout "D" w/ grey Panduit F Series wire duct | | | | | | | | | | |
| | DW | DIN rail layout "D" w/ white Panduit F Series wire duct | | | | | | | | | | |
| | EG | Economy layout "E" w/ grey Panduit F Series wire duct | | | | | | | | | | |
| | EW | Economy layout "E" w/ white Panduit F Series wire duct | | | | | | | | | | |
| Approvals | X | no approval required | | | | | | | | | | |
| | U | meets 508A Standard for UL Listed Open Control Panel | | | | | | | | | | |
| Options see page 4 | X | no option selected | | | | | | | | | | |
| | A | 3 amp DIN rail mounted circuit breaker substituted for terminal "L" | | | | | | | | | | |
| | B | 5 amp DIN rail mounted circuit breaker substituted for terminal "L" | | | | | | | | | | |
| | C | 10 amp DIN rail mounted circuit breaker substituted for terminal "L" | | | | | | | | | | |
| | D | 3 amp fuse holder terminal substituted for terminal "L" w/ Buss fast-blo fuse | | | | | | | | | | |
| | E | 5 amp fuse holder terminal substituted for terminal "L" w/ Buss fast-blo fuse | | | | | | | | | | |
| | F | 10 amp fuse holder terminal substituted for terminal "L" w/ Buss fast-blo fuse | | | | | | | | | | |
| | G | Switching terminal block substituted for each 24VAC hot terminal block | | | | | | | | | | |
| | H | Finger-safe terminal block cover, transparent (protects entire terminal strip) | | | | | | | | | | |
| | I | 10 extra terminals mounted on 12 inch DIN rail (shipped loose w/ mntg screws) | | | | | | | | | | |
| | J | 20 extra terminals mounted on 12 inch DIN rail (shipped loose w/ mntg screws) | | | | | | | | | | |
| | K | 40 extra terminals mounted on 12 inch DIN rail (shipped loose w/ mntg screws) | | | | | | | | | | |
| | L | Solid wall wire duct to enclose 120VAC circuits - see Supplementary Spec "L" | | | | | | | | | | |
| | M | 2x4 box w/ 2 gang Cat5E cover plate and jacks - ships loose w/ screws | | | | | | | | | | |
| N | 2x4 box w/ 4 gang Cat5E cover plate and jacks - ships loose w/ screws | | | | | | | | | | | |
| O | 5ft Cat5E cable, male/male - ships loose | | | | | | | | | | | |
| Power Control see pages 5 & 6 | XX | no factory mounted disconnect or receptacle required | | | | | | | | | | |
| | DS | used for SW-1, 15 amp disconnect & single receptacle w/ 2x4 box | | | | | | | | | | |
| | DD | used for SW-1, 15 amp disconnect & duplex receptacle w/ 4x4 box | | | | | | | | | | |
| | FD | used for SW-1, 10 amp Functional Devices PSPT2RB10 w/ 4x4 box | | | | | | | | | | |
| | DL | used for SW-1, 15 amp disconnect & duplex recep, indicator light, 10 amp fuse w/ 4x4 box | | | | | | | | | | |
| Control Power Transformers & Pwr Supplies see page 7 | 000 | no factory mounted transformer or power supply required | | | | | | | | | | |
| | 040 | labeled TX-1, TR40VA001, 40VA, 120x24VAC | | | | | | | | | | |
| | 050 | labeled TX-1, TR50VA005, 50VA, 120x24VAC, w/ circuit breaker | | | | | | | | | | |
| | 075 | labeled TX-1, TR75VA001, 75VA, 120x24VAC, w/ circuit breaker | | | | | | | | | | |
| | 100 | labeled TX-1, TR100VA001, 100VA, 120x24VAC, w/ circuit breaker | | | | | | | | | | |
| | D40 | labeled TX-1, TR40VA002, 40VA, 120x24VAC, w/ circuit breaker, DUAL HUB | | | | | | | | | | |
| | D50 | labeled TX-1, TR50VA009, 50VA, 120x24VAC, w/ circuit breaker, DUAL HUB | | | | | | | | | | |
| | D75 | labeled TX-1, TR75VA002, 75VA, 120x24VAC, w/ circuit breaker, DUAL HUB | | | | | | | | | | |
| | D10 | labeled TX-1, TR100VA002, 100VA, 120x24VAC, w/ circuit breaker, DUAL HUB | | | | | | | | | | |
| | F04 * | TX-1, PSH40AB10-IC, power supply, 120x24VAC, 40VA, w/ breaker & outlet, UL508A | | | | | | | | | | |
| | F44 * | TX-1/2, PSH40A40AB10-IC, dual power supply, 120x24VAC, (2) 40VA, w/ breaker & outlet, UL508A | | | | | | | | | | |
| | F47 ** | TX-1/2, PSH40A75AB10, dual power supply, 120x24VAC, 40VA/75VA, w/ breaker & outlet | | | | | | | | | | |
| | F41 * | TX-1/2, PSH40A100AB10-IC, dual power supply, 120x24VAC, 40VA/100VA, w/ breaker & outlet, UL508A | | | | | | | | | | |
| | F07 ** | TX-1, PSH75AB10, power supply, 120x24VAC, 75VA, w/ breaker & outlet | | | | | | | | | | |
| | F77 ** | TX-1/2, PSH75A75AB10, dual power supply, 120x24VAC, (2) 75VA, w/ breaker & outlet | | | | | | | | | | |
| | F71 ** | TX-1/2, PSH75A100AB10, dual power supply, 120x24VAC, 75VA/100VA, w/ breaker & outlet | | | | | | | | | | |
| | F01 * | TX-1, PSH100AB10-IC, power supply, 120x24VAC, 100VA, w/ breaker & outlet, UL508A | | | | | | | | | | |
| F11 * | TX-1/2, PSH100A100AB10-IC, dual power supply, 120x24VAC, (2) 100VA, w/ breaker & outlet, UL508A | | | | | | | | | | | |
| I23 | labeled DC-1, PS5R-SC24, 24vdc power supply, 120VAC input, 30 watt, DIN mounted | | | | | | | | | Cont'd | Cont'd | |
| I26 | labeled DC-1, PS5R-SD24, 24vdc power supply, 120VAC input, 60 watt, DIN mounted | | | | | | | | | Next | Next | |
| I29 | labeled DC-1, PS5R-SE24, 24vdc power supply, 120VAC input, 90 watt, DIN mounted | | | | | | | | | Page | Page | |
| I21 | labeled, DC-1, PS5R-SF24, 24vdc power supply, 120VAC input, 120 watt, DIN mounted | | | | | | | | | | | |

NOTES * Option is not available if separate Power Control was selected
 ** Option is not available if separate Power Control was selected OR UL Listing is required

| | |
|----------------------------------|----------|
| EZ 2424 EZ Panel Model Selection | |
| PANEL FAB, INC. | |
| P.O. Box 813067 | REV 9 |
| Smyrna, GA 30081 | 6/1/2012 |
| 1-866-UL PANEL | 1 of 8 |



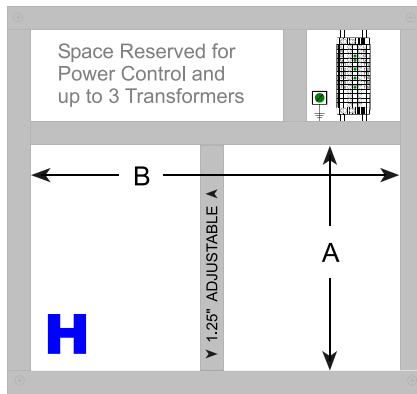
Fill in the blanks to build your custom model number by selecting one Option from each Table

● Consult pages 3 thru 8 to select the Material, Layout, Power Control, and other Options that best suit your application
 ○ Example model number...SUB-P-2424-HG-X-X-DD-050-050-050

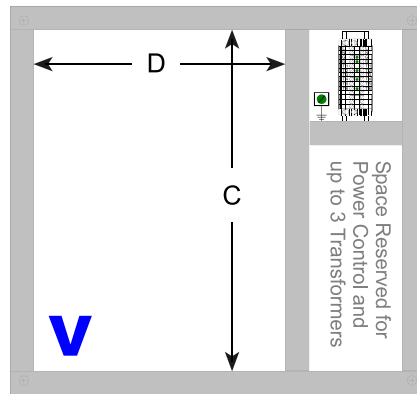
| Table | Options | Model # | SUB | 2424 | | | | | | | | |
|-------|---------|---------|-----|------|--|--|--|--|--|--|--|--|
|-------|---------|---------|-----|------|--|--|--|--|--|--|--|--|

| | | |
|--|---|---|
| Field or Auxiliary Power Transformers & Pwr Supplies <small>see page 7</small> | 000 | no factory mounted transformer or power supply required |
| | 040 | labeled TX-2, TR40VA001, 40VA, 120x24VAC |
| | 050 | labeled TX-2, TR50VA005, 50VA, 120x24VAC, w/ circuit breaker |
| | 075 | labeled TX-2, TR75VA001, 75VA, 120x24VAC, w/ circuit breaker |
| | 100 | labeled TX-2, TR100VA001, 100VA, 120x24VAC, w/ circuit breaker |
| | D40 | labeled TX-2, TR40VA002, 40VA, 120x24VAC, w/ circuit breaker, DUAL HUB |
| | D50 | labeled TX-2, TR50VA009, 50VA, 120x24VAC, w/ circuit breaker, DUAL HUB |
| | D75 | labeled TX-2, TR75VA002, 75VA, 120x24VAC, w/ circuit breaker, DUAL HUB |
| | D10 | labeled TX-2, TR100VA002, 100VA, 120x24VAC, w/ circuit breaker, DUAL HUB |
| | F04 * | TX-3 PSH40AB10-IC, power supply, 120x24VAC, 40VA, w/ breaker & outlet, UL508A |
| | F07 ** | TX-3, PSH75AB10, power supply, 120x24VAC, 75VA, w/ breaker & outlet |
| | F01 * | TX-3, PSH100AB10-IC, power supply, 120x24VAC, 100VA, w/ breaker & outlet, UL508A |
| | I23 | labeled DC-2, PS5R-SC24, 24vdc power supply, 120VAC input, 30 watt, DIN mounted |
| I26 | labeled DC-2, PS5R-SD24, 24vdc power supply, 120VAC input, 60 watt, DIN mounted | |
| I29 | labeled DC-2, PS5R-SE24, 24vdc power supply, 120VAC input, 90 watt, DIN mounted | |
| I21 | labeled, DC-2, PS5R-SF24, 24vdc power supply, 120VAC input, 120 watt, DIN mounted | |
| Field or Auxiliary Power Transformers & Pwr Supplies <small>see page 7</small> | 000 | no factory mounted transformer or power supply required |
| | 040 | labeled TX-3, TR40VA001, 40VA, 120x24VAC |
| | 050 | labeled TX-3, TR50VA005, 50VA, 120x24VAC, w/ circuit breaker |
| | 075 | labeled TX-3, TR75VA001, 75VA, 120x24VAC, w/ circuit breaker |
| | 100 | labeled TX-3, TR100VA001, 100VA, 120x24VAC, w/ circuit breaker |
| | D40 | labeled TX-3, TR40VA002, 40VA, 120x24VAC, w/ circuit breaker, DUAL HUB |
| | D50 | labeled TX-3, TR50VA009, 50VA, 120x24VAC, w/ circuit breaker, DUAL HUB |
| | D75 | labeled TX-3, TR75VA002, 75VA, 120x24VAC, w/ circuit breaker, DUAL HUB |
| | D10 | labeled TX-3, TR100VA002, 100VA, 120x24VAC, w/ circuit breaker, DUAL HUB |
| | I23 | labeled DC-3, PS5R-SC24, 24vdc power supply, 120VAC input, 30 watt, DIN mounted |
| | I26 | labeled DC-3, PS5R-SD24, 24vdc power supply, 120VAC input, 60 watt, DIN mounted |
| | I29 | labeled DC-3, PS5R-SE24, 24vdc power supply, 120VAC input, 90 watt, DIN mounted |
| | I21 | labeled, DC-3, PS5R-SF24, 24vdc power supply, 120VAC input, 120 watt, DIN mounted |

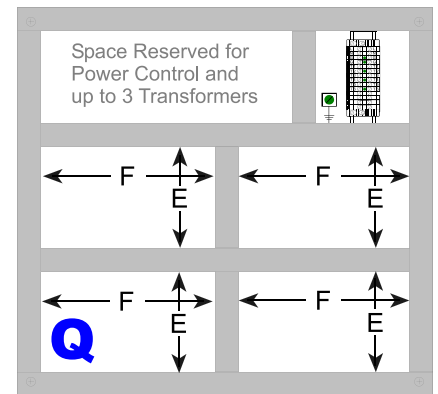
- NOTES
- * Option is not available if separate Power Control was selected
 - ** Option is not available if separate Power Control was selected OR UL Listing is required



24 x 24 Horizontal Layout w/ 1.25" x 3" Wire Duct

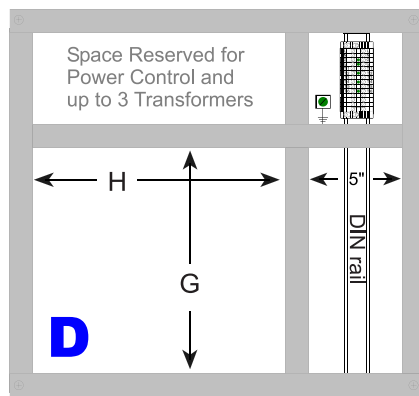


24 x 24 Vertical Layout w/ 1.25" x 3" Wire Duct

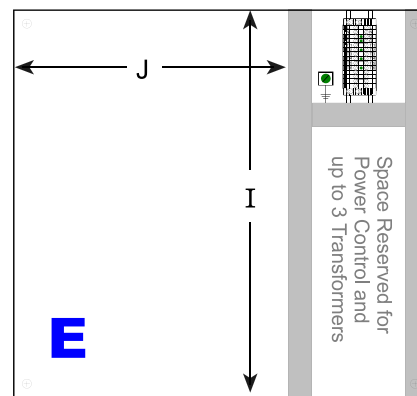


24 x 24 Quad Layout w/ 1.25" x 3" Wire Duct

New Standard Feature
 "H" Layout now includes vertical section of wire duct shipped loose w/ mounting screws.
 Provides greater flexibility and neater wiring for field installed components.



24 x 24 DIN Rail Layout w/ 1.25" x 3" Wire Duct



24 x 24 Economy Layout w/ 1.25" x 3" Wire Duct

INSTRUCTIONS: Use Table 1 to select a subpanel that is compatible with your enclosure and NEMA rating. Insert the blue letter for Material Selection in the first highlighted field. Use the interior mounting dimensions in Table 2 to determine which Layout Configuration provides ample space to field mount and wire your components. Choose the blue letter for the appropriate layout drawing and insert this as the first character in the second highlighted field. The second character in this field will indicate wire duct color... "G" for grey or "W" for white.

| | | | | | | | | | | | | | |
|-------|---------|------------------|-----|----------|------|----------|---|---|---|---|---|---|---|
| Table | Options | Model # → | SUB | — | 2424 | — | — | — | — | — | — | — | — |
|-------|---------|------------------|-----|----------|------|----------|---|---|---|---|---|---|---|

Material Selection from Table 1

Layout Configuration from Table 2 and Wire Duct Color

TABLE 1

| Material Selection | Brand | Material | Color | Mfr Part # | Fits Enclosure | Nema Rating |
|--------------------|---------|------------|-------|------------|-----------------|--------------|
| P | Hoffman | perforated | grey | A24N24MPP | A24N24xxx | 1 |
| S | Hoffman | solid | white | A24N24MP | A24N24xxx | 1 |
| I | Hoffman | solid | white | A24P24 | consult Hoffman | 3R, 4, 12/13 |
| C | Hoffman | solid | white | CP2424 | CSD2424xx | 4, 12 |

TABLE 2

| Material Selection | Interior Mounting Dimensions in Inches | | | | | | | | | |
|--------------------|--|---------|---------------------|---------|-----------------|---------|---------------------|---------|--------------------|---------|
| | H - Horizontal Layout | | V - Vertical Layout | | Q - Quad Layout | | D - DIN Rail Layout | | E - Economy Layout | |
| | A | B | C | D | E | F | G | H | I | J |
| P | 12 1/4" | 20" | 18 1/2" | 13 3/4" | 5 1/2" | 9 3/8" | 12 1/4" | 13 3/4" | 21" | 15" |
| S | 12 1/4" | 20" | 18 1/2" | 13 3/4" | 5 1/2" | 9 3/8" | 12 1/4" | 13 3/4" | 21" | 15" |
| I | 12 1/4" | 18 1/2" | 18 1/2" | 12 1/4" | 5 1/2" | 8 5/8" | 12 1/4" | 12 1/4" | 21" | 13 1/2" |
| C | 13 3/8" | 19 5/8" | 19 5/8" | 13 3/8" | 6" | 9 3/16" | 13 3/8" | 13 3/8" | 22 3/16" | 14 5/8" |



| | | | | | | | | | | | | | | | | | | | |
|-------|---------|-----------|-----|---|------|---|---|---|---|---|---|---|---|---|---|---|---|---|---|
| Table | Options | Model # → | SUB | - | 2424 | - | - | - | - | - | - | - | - | - | - | - | - | - | - |
|-------|---------|-----------|-----|---|------|---|---|---|---|---|---|---|---|---|---|---|---|---|---|

Select (1) Option and insert the letter to fill in the highlighted field of the EZ Panel model number

MODEL SELECTION NOTES

- Note 1:** Insert the letter "X" in this field of the EZ Panel model number if no Option is required.
- Note 2:** All Options are available individually. If more than (1) Option is required, simply order the additional Options using the prefix "EZ-".
- Example: If your panel requires a 10 amp circuit breaker...capability to isolate the 24VAC circuits...and (20) extra terminal blocks; you would order (3) items as follows:
- SUB - P - 2016 - HG - X - C - DS - 100-100
 - EZ - G
 - EZ - J
- Note 3:** Photo shown as typical for panels having (2) transformers.

3 AMP Breaker **A**

3 amp DIN rail mounted circuit breaker substituted for terminal "L"



* see Note 3

5 AMP Breaker **B**

5 amp DIN rail mounted circuit breaker substituted for terminal "L"



* see Note 3

10 AMP Breaker **C**

10 amp DIN rail mounted circuit breaker substituted for terminal "L"



* see Note 3

3 AMP Fuse Holder **D**

3 amp fuse holder terminal with fast-blo fuse substituted for terminal "L"



* see Note 3

5 AMP Fuse Holder **E**

5 amp fuse holder terminal with fast-blo fuse substituted for terminal "L"



* see Note 3

10 AMP Fuse Holder **F**

10 amp fuse holder terminal with fast-blo fuse substituted for terminal "L"



* see Note 3

Isolate 24VAC Circuit **G**

Switching terminal block substituted for each 24VAC hot terminal block



* see Note 3

Terminal Cover **H**

Transparent finger-safe terminal block cover. Threaded nylon nuts must be removed to access terminal block.



10 Extra Terminals **I**

10 numbered terminal blocks mounted on a 12" section of DIN rail shipped loose w/ mtg screws (requires field installation)



20 Extra Terminals **J**

20 numbered terminal blocks mounted on a 12" section of DIN rail shipped loose w/ mtg screws (requires field installation)



40 Extra Terminals **K**

40 numbered terminal blocks mounted on a 12" section of DIN rail shipped loose w/ mtg screws (requires field installation)



Isolated 120VAC **L**

Solid wall wire duct to isolate line voltage terminal blocks and all 120VAC circuits. See Supplementary Spec "L" on page 8.



2 Gang Cat5E **M**

Two gang plastic cover plate with (2) Cat5E jacks mounted on a 2x4 handi-box. Items ship loose w/ mtg screws.



4 Gang Cat5E **N**

Four gang plastic cover plate with (4) Cat5E jacks mounted on a 2x4 handi-box. Items ship loose w/ mtg screws.



Cat5E Cable **O**

5ft Cat5E, male/male cable shipped loose.





| | | | | | | | | | | | | | | |
|-------|---------|---------|---|-----|---|------|---|---|---|---|---|---|---|---|
| Table | Options | Model # | → | SUB | _ | 2424 | _ | _ | _ | _ | — | — | — | — |
|-------|---------|---------|---|-----|---|------|---|---|---|---|---|---|---|---|

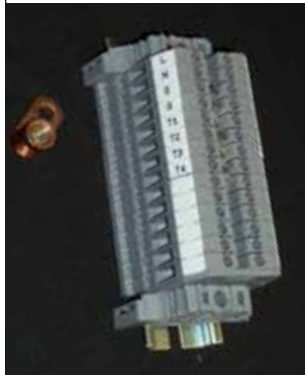
Select (1) Option and insert the letters to fill in the highlighted field of the EZ Panel model number

4 OPTIONS AVAILABLE



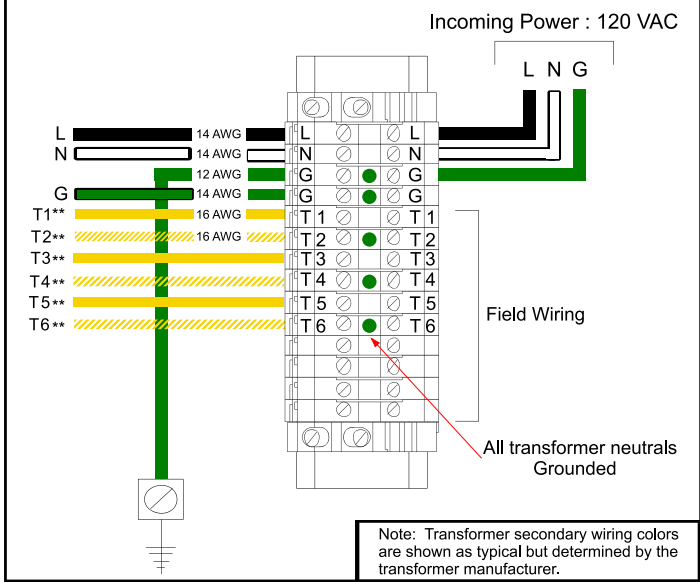
TERMINAL ASSY

Shown for (2) transformers



| Bill of Materials | | |
|-------------------|----------------|----------|
| COMPONENT | MANUFACTURER | PART NO. |
| Terminal Block | Entelec | 11511607 |
| End Plate | Entelec | 11838816 |
| End Stop | Entelec | 20635116 |
| Marking Cards | Entelec | 23300001 |
| Jumper Bar | Entelec | 17478420 |
| Jumper Post/Screw | Entelec | 16860416 |
| Ground Lug | Thomas & Betts | L70 |

TYPICAL WIRING



MODEL SELECTION NOTES

***** : Power Control (SW-1) is Optional

If no Power Control is selected, insert the letters **XX** in the highlighted field of the EZ Panel Model Number.

If no Power Control is selected but factory mounted transformers are still required; transformers will be wired directly to the L and N terminals and will be continuously HOT when the panel is powered.

Inserting **XX** in this field is mandatory if Functional Devices PSH Series Combination Power Supplies are being used in lieu of standard foot mounted transformers. See below for related wiring schematics.

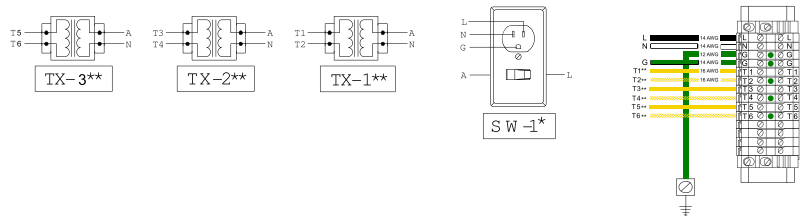
****** : Transformers (TX-#) are Optional

Every panel includes (14) total terminal blocks regardless of the transformer quantity chosen. If the maximum number of transformers is not selected, the unused terminals will include blank markers and will be available for other field terminations if required.

Power Control Option

DS

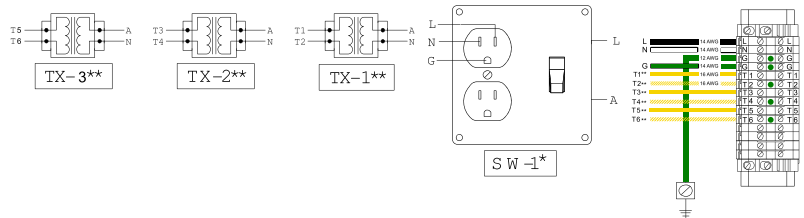
15 amps
2 x 4 steel box w/ cover



Power Control Option

DD

15 amps
4 x 4 steel box w/ cover



see next page for more Power Control Options

| EZ 2424* EZ Panel Model Selection | |
|-----------------------------------|----------|
| Power Control w/ Wiring Detail | |
| PANEL FAB, INC. | REV 9 |
| P.O. Box 813067 | 6/1/2012 |
| Smyrna, GA 30081 | 5 of 8 |
| 1-866-UL PANEL | |



EZ Panel™ 2424

custom prefabricated subpanel assemblies

Model Selection Guide

Power Control Options cont'd

| | | | | | | | | | | | | | |
|-------|---------|-----------|-----|------|--|--|--|--|--|--|--|--|--|
| Table | Options | Model # → | SUB | 2424 | | | | | | | | | |
|-------|---------|-----------|-----|------|--|--|--|--|--|--|--|--|--|

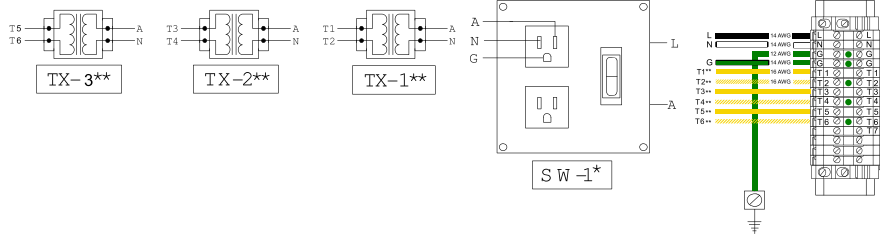
Select (1) Option and insert the letters to fill in the highlighted field of the EZ Panel model number

Power Control Option

FD

Functional Devices p/n PSPT2RB10
10 amps
4 x 4 plastic box w/ cover

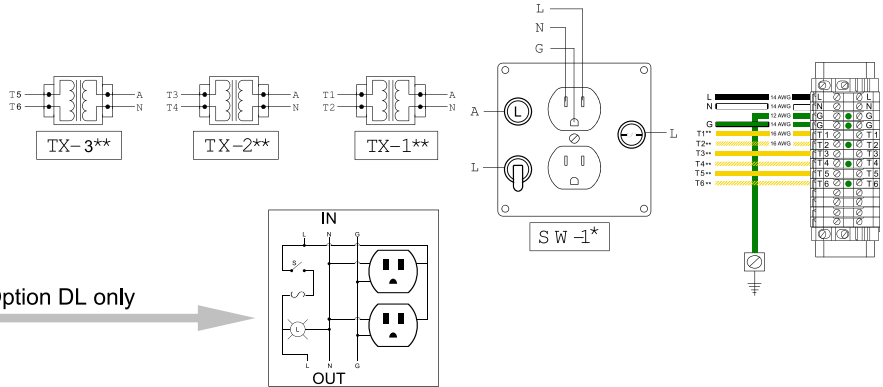
Internal jumper allows receptacle to be continuously controlled by the switch.



Power Control Option

DL

15 amp rated components
4 x 4 steel box w/ cover
* Includes red indicator light
* Includes fuse holder w/ 10 amp fuse

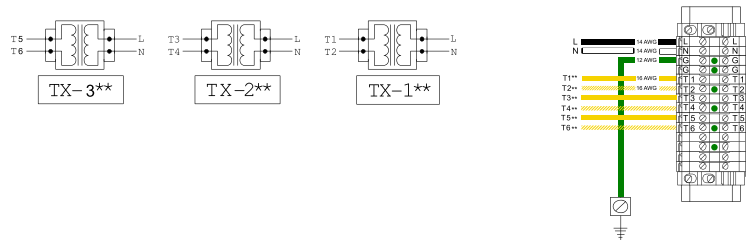


Supplemental internal wiring diagram for Power Control Option DL only

Power Control Option

XX

Valid Option if no factory installed Power Control device is required for the panel. All transformers are HOT when panel is powered.

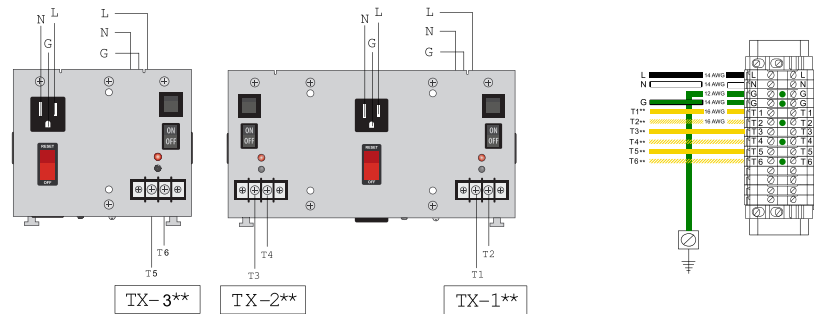


Power Control Option

XX

Also valid if Functional Devices PSH Series Combination Power Supplies are being used in lieu of standard foot mounted transformers.

Internal jumper allows receptacle to be continuously controlled by the switch.

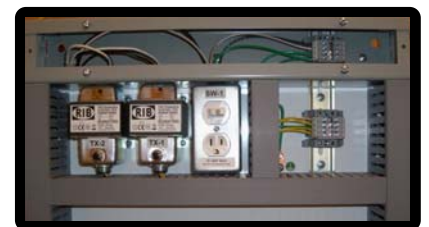
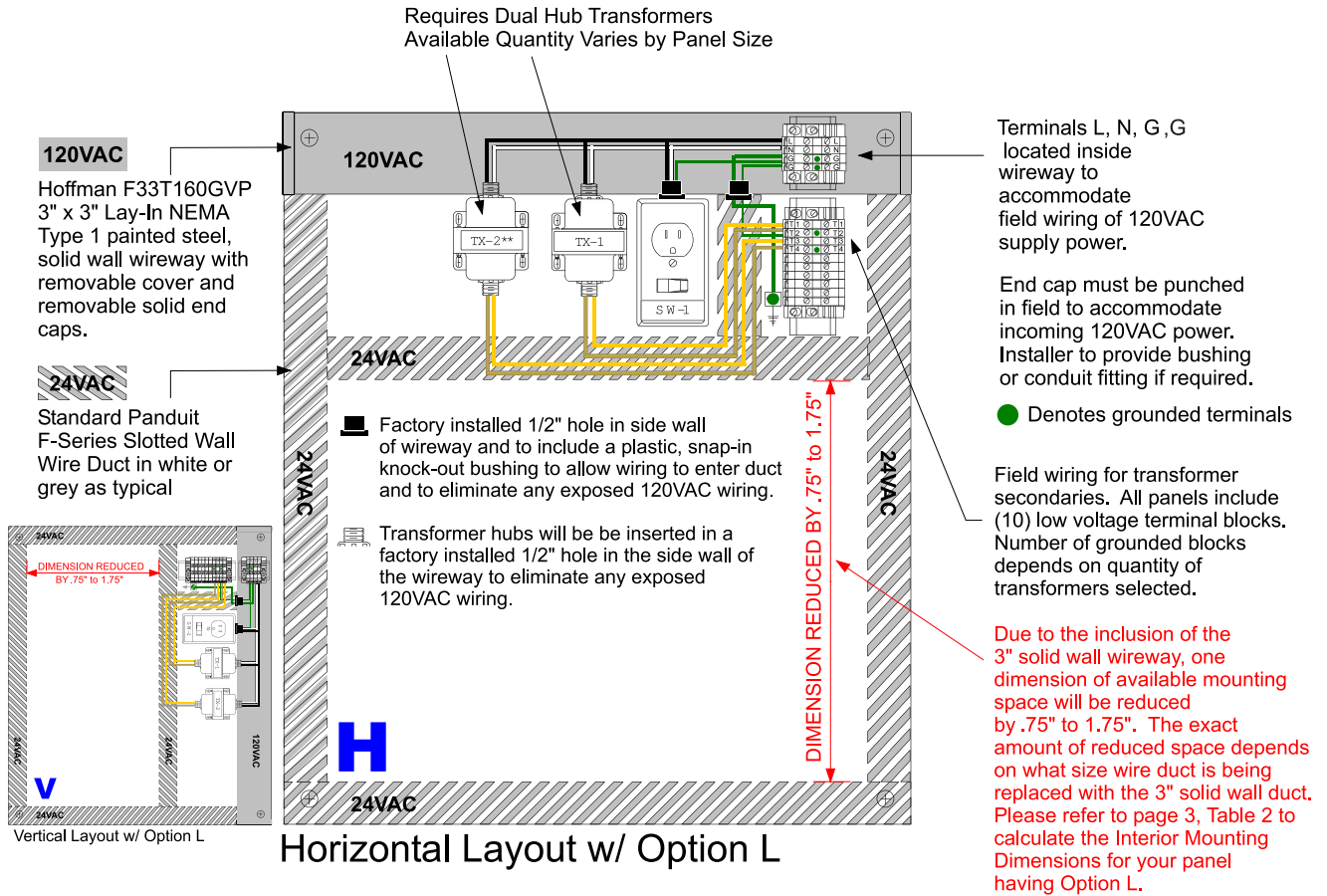


| | |
|---|----------|
| EZ 2424 EZ Panel Model Selection | |
| Power Control w/ Wiring Detail cont'd | |
| PANEL FAB, INC. P.O. Box 813067 Smyrna, GA 30081 1-866-UL PANEL | |
| REV 9 | 6/1/2012 |
| 6 of 8 | |



This is a supplementary specification guide and should be used in conjunction with the standard EZ Panel Model Selection Guides for each panel size offered in our product line. This document only applies to EZ Panels with "L" selected in the Options table. This design satisfies separation of circuits as well as strict panel standards which prohibit exposed 120VAC or line voltage wiring. Please note that choosing Option "L" dictates some panel choices and limits others. Specifying panels with this option reduces the standard available interior, module mounting space for all sizes and all applicable layouts. Please follow model selection instructions carefully.

Only Horizontal and Vertical layouts are shown below. However, Option "L" is available with every size and layout in the EZ Panel product line. Feature details shown on the horizontal layout are typical except that reduced interior mounting dimensions will vary depending on what size wire duct is replaced by the solid wall duct.



| EZ Panel Model Selection | |
|-------------------------------|----------|
| Option "L" Supplementary Spec | |
| PANEL FAB, INC. | REV 9 |
| P.O. Box 813067 | 6/1/2012 |
| Smyrna, GA 30081 | 8 of 8 |
| 1-866-UL PANEL | |